

### FEATURES

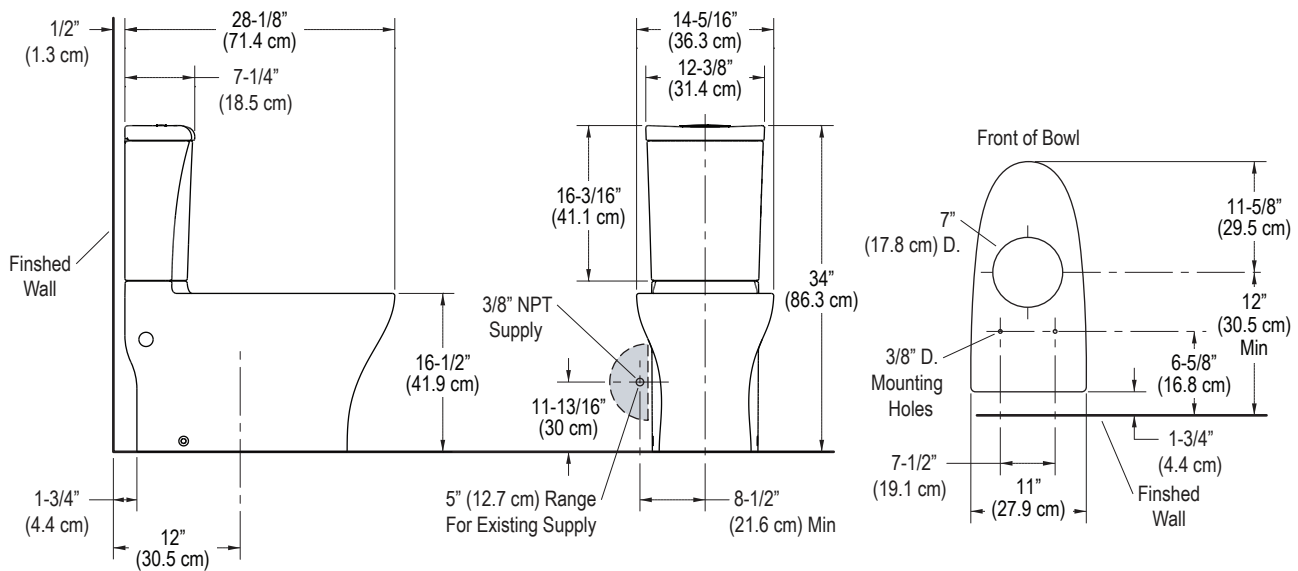
- Vitreous China
- Elongated Bowl
- Two-Bolt Installation System
- Two-Piece Comfort Height
- Supply Line Included
- Dual Flush Flushing System
- Includes Polished Chrome Finished Brass Flush Actuator

### CODES/STANDARDS APPLICABLE

Specified model meets or exceeds the following:

- ICC/ANSI A117.1
- ASME A112.19.2/CSA B45.1
- ASME A112.19.14
- EPA WaterSense®

P70311, P70312  
Combination P70310



PRODUCT INFORMATION		INSTALLATION NOTES	
Fixture:		<p><b>IMPORTANT!</b> The rough-in must be 12" (30.5 cm) or more from the base of the wall or baseboard. Install or relocate the supply and outlet as necessary to conform to rough-in dimensions.</p> <p>If this toilet is installed to new construction, install a new supply stop following the dimensions in the diagram.</p> <p>In installations with the supply stop installed, the existing supply stop may need to be relocated if it is less than 8-1/2" (21.6 cm) from the centerline of the toilet. Dry fit the toilet to confirm if the supply stop needs to be relocated.</p> <p>The supplied hose will extend roughly 6" (15.2 cm) from the toilet. If the supplied hose does not reach the supply stop, a longer supply hose may be used.</p>	
Configuration	two-piece, elongated		
Water per flush	1.6 gpf (6 lpf) or 0.8 gpf (3 lpf)		
Passageway	2" (5.1 cm)		
Water area	4-1/2" (11.4 cm) x 5-3/4" (14.6 cm)		
Water depth from rim	8-1/2" (21.6 cm)		
Seat post hole centers	5-1/2" (14 cm)		

SPECIFIED MODEL						
Model	Description	Finishes				
P70310-00	Plié 2-Piece Toilet	<input type="checkbox"/> 0 Stucco White				<input type="checkbox"/> 96 Linen
P70311-00	Plié Toilet Bowl	<input type="checkbox"/> 0 Stucco White				<input type="checkbox"/> 96 Linen
P70312-00	Plié Toilet Tank	<input type="checkbox"/> 0 Stucco White				<input type="checkbox"/> 96 Linen
Recommended Accessories						
P70313-CP, AD, AG, BV, or BL	Toilet Seat	<input type="checkbox"/> 0 Stucco White				<input type="checkbox"/> 96 Linen
Optional Accessory						
P70314-00	Flush Actuator Upgrade	<input type="checkbox"/> CP Polished Chrome	<input type="checkbox"/> AD Nickel Silver	<input type="checkbox"/> AG Brushed Nickel	<input type="checkbox"/> LB Bronze	<input type="checkbox"/> GN Gunmetal <input type="checkbox"/> W7 Black Nickel

We reserve the right to make revisions without notice in the design of products or in packaging unless this right has specifically been waived at the time the order is accepted.