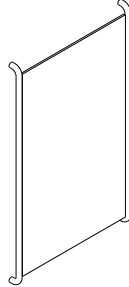


INSTALLATION INSTRUCTIONS



P74053

INSTALLATION INSTRUCTIONS

THANK YOU FOR CHOOSING KALLISTA

We appreciate your commitment to KALLISTA quality products. Please take a moment to review this manual before you install your KALLISTA product. If you encounter any installation or performance problems, please do not hesitate to contact us at the phone number listed at the bottom of the page.

BEFORE YOU BEGIN

- Observe all local building codes.
- Read and understand these instructions completely and thoroughly before commencing with installation of this product.
- This product is shipped with a cleat securely attached to the back of the mirror.
- KALLISTA reserves the right to make revisions in the design of products without notice, as specified in the Price Book.

TOOLS AND MATERIALS



Pencil



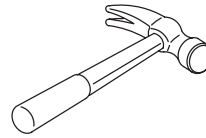
Tape Measure



Level



Drill



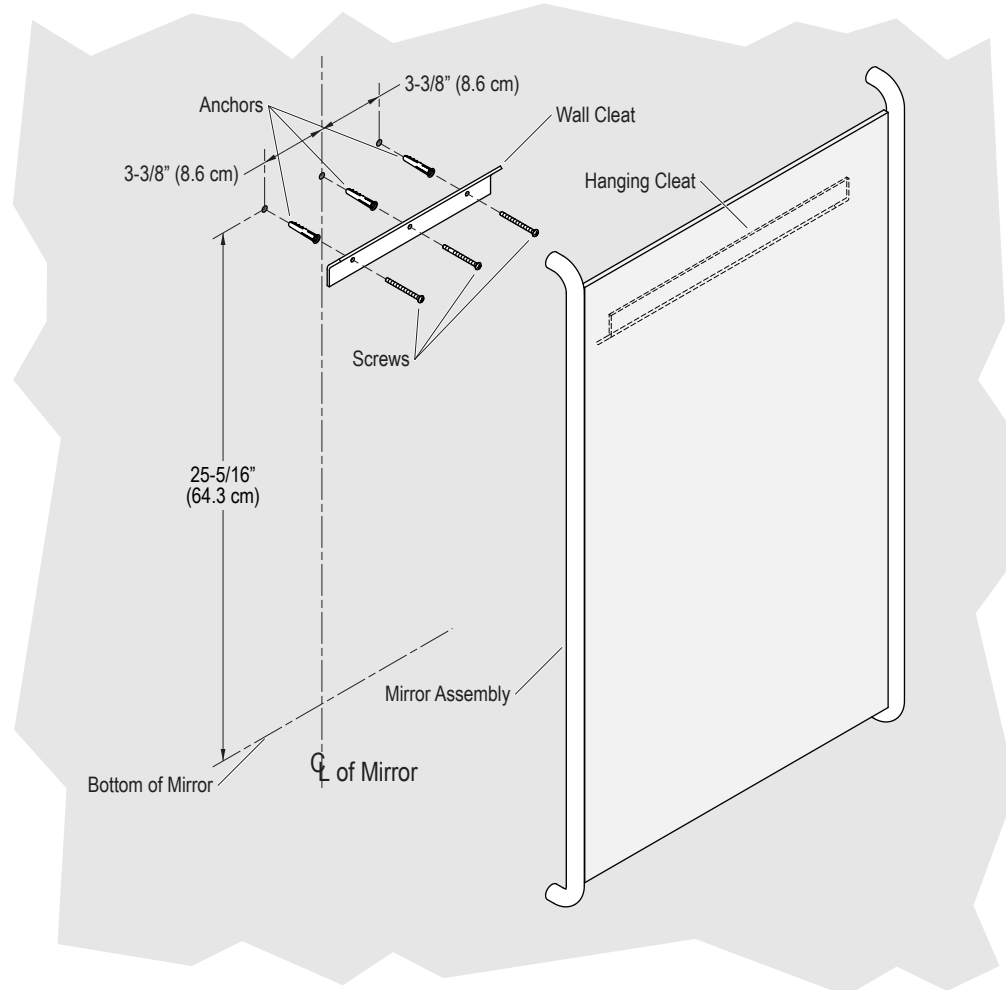
Claw Hammer



Phillips Screwdriver

INSTALLATION INSTRUCTIONS

INSTALL THE MIRROR



- Determine the location of the mirror. Mark the location of the bottom of the mirror and the centerline of the mirror.
- Measure up 25-5/16" (64.3 cm) from the bottom of the mirror and make a mark on the centerline.
- Line up the center of middle hole of the wall cleat with the mark on the centerline.
- Make sure the wall cleat is level, and mark the location of the holes.
- If any of the holes line up with a stud, drill a pilot hole for the screw. Drill the remaining holes so that the anchors fit snugly in them.
- Insert anchors in holes, tapping lightly with a hammer, if necessary.
- Attach the wall cleat to the wall with the screws.
- Remove any visible markings from wall.
- Gently lower the mirror assembly onto the wall cleat while centering the hanging cleat on the wall cleat.