

# KALLISTA

## Bridgeton™ 2-Piece Toilet

### FEATURES

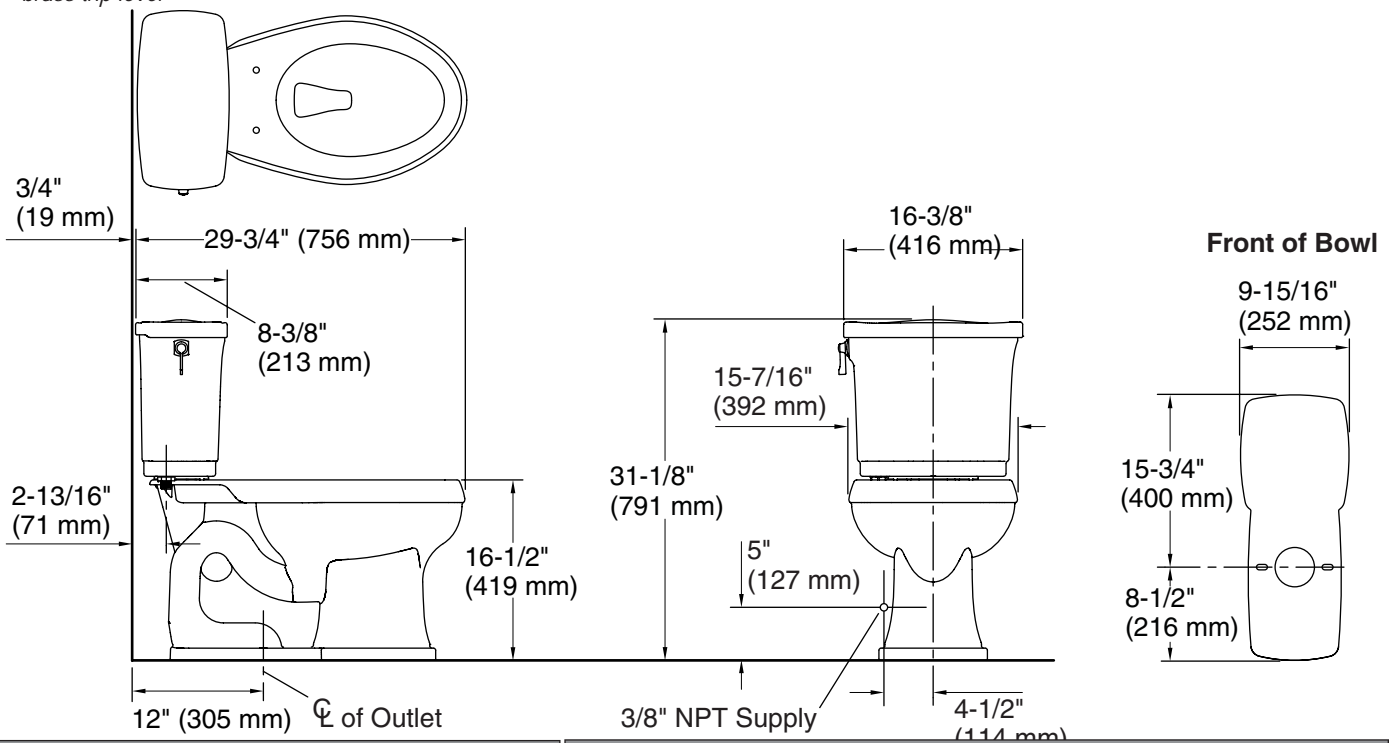
- Vitreous china
- Elongated bowl
- Two-piece comfort height
- 1.28 gpf (4.8 lpf)
- 2-1/8" (54 mm) glazed trapway
- Includes polished chrome plated brass trip lever

### CODES/STANDARDS APPLICABLE

Specified model meets or exceeds the following:

- ADA
- ICC/ANSI A117.1
- ASME A112.19.2/CSA B45.1
- EPA WaterSense®

P70301, P70302,  
Combination P70300



PRODUCT INFORMATION	
Fixture*:	
Configuration	two-piece, elongated
Water per flush	1.28 gal (4.8 L)
Passageway	2-1/8" (54 mm)
Water area	10-1/2" (267 mm) x 7-7/8" (200 mm)
Water depth from rim	6-3/8" (162 mm)
Seat post hole centers	5-1/2" (140 mm)

INSTALLATION NOTES	
Will comply with the American Disabilities Act (ADA) when installed per the requirements of the Accessibility Guidelines, Section 604 Water Closets, of the Act. The Model Plumbing Codes require the installation of elongated open-front toilet seats in public bathrooms.	

SPECIFIED MODEL				
Model	Description	Finishes		
P70300-00	Bridgeton 2-Piece Toilet	<input type="checkbox"/> 0 Stucco White	<input type="checkbox"/> 96 Linen	
P70301-00	Bridgeton Toilet Bowl	<input type="checkbox"/> 0 Stucco White	<input type="checkbox"/> 96 Linen	
P70302-00	Bridgeton Toilet Tank	<input type="checkbox"/> 0 Stucco White	<input type="checkbox"/> 96 Linen	
Recommended Accessories (Choose one)				
P70303-CP, AD, AG, BL or BV	Classic Toilet Seat with Finished Brass, Slow-Close Hinges	<input type="checkbox"/> 0 Stucco White	<input type="checkbox"/> 96 Linen	
P70334-CP, AD, AG, BL or BV	Wood Toilet Seat Upgrade	<input type="checkbox"/> JV Java	<input type="checkbox"/> EM Ebonized Mahogany	<input type="checkbox"/> KZ Brunette
Optional Accessory				
P70304-00	Trip Lever Upgrade	<input type="checkbox"/> AD Nickel Silver	<input type="checkbox"/> AG Brushed Nickel	<input type="checkbox"/> BZ Antique Bronze <input type="checkbox"/> W6 Weathered Bronze

We reserve the right to make revisions without notice in the design of products or in packaging unless this right has specifically been waived at the time the order is accepted.