

FEATURES

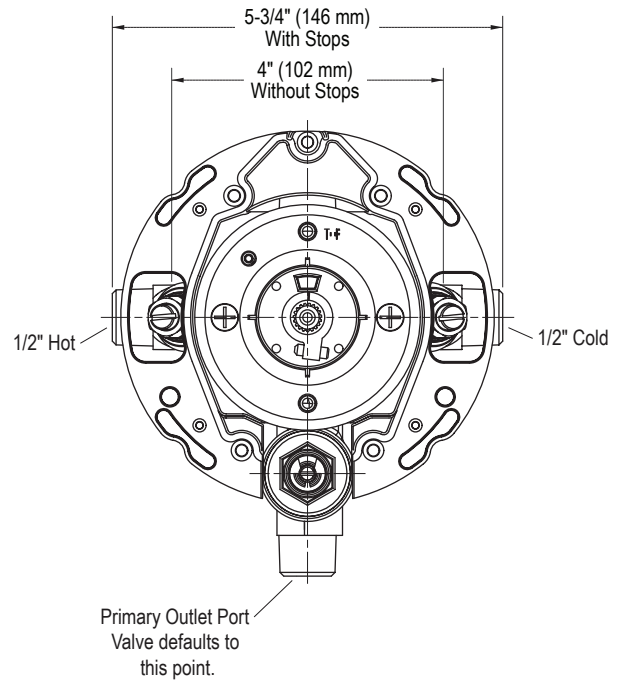
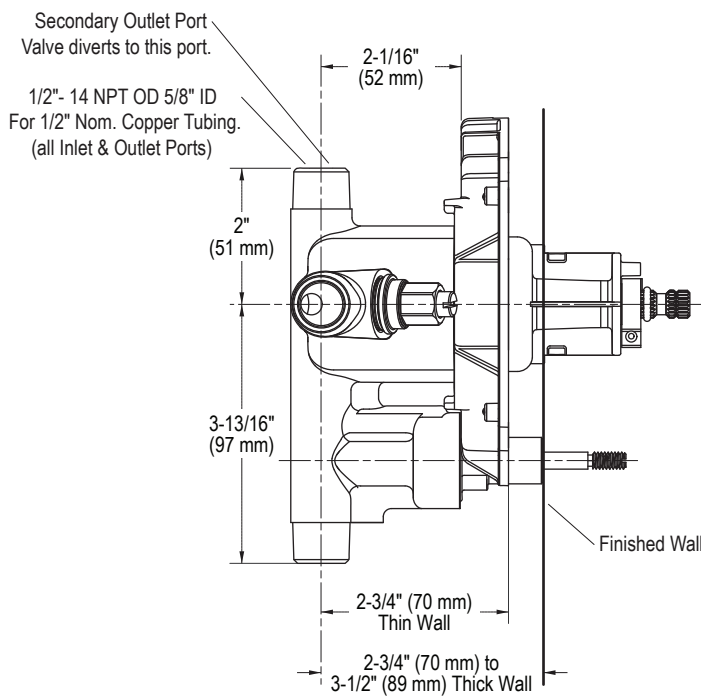
- Brass Valve Body
- Pressure-Balancing Diaphragm Design
- Pressure-Balancing Mechanism of One-Piece Diaphragm Cartridge Design for Ease of Maintenance
- Mixing Valve Cycles from "Cold" to "Hot"
- Integral Diverter Mechanism
- High-Temperature Limit Setting for Added Safety
- Available with or without Screwdriver Stops
- Designed for Showerhead and Handshower Applications

CODES/STANDARDS APPLICABLE

Specified model meets or exceeds the following:

- ASME A112.18.1/CSA B125.1
- ASSE 1016

P29305



ROUGHING-IN NOTES

Avoid cross-flow conditions. Do not install shut-off device on either valve outlet.

SPECIFIED MODEL

Model	Description	Finishes
P29305-00	Pressure Balance Valve with Diverter, without screwdriver stops	<input type="checkbox"/> NA
P29305-WS	Pressure Balance Valve with Diverter, with screwdriver stops	<input type="checkbox"/> NA

We reserve the right to make revisions without notice in the design of products or in packaging unless this right has specifically been waived at the time the order is accepted.