

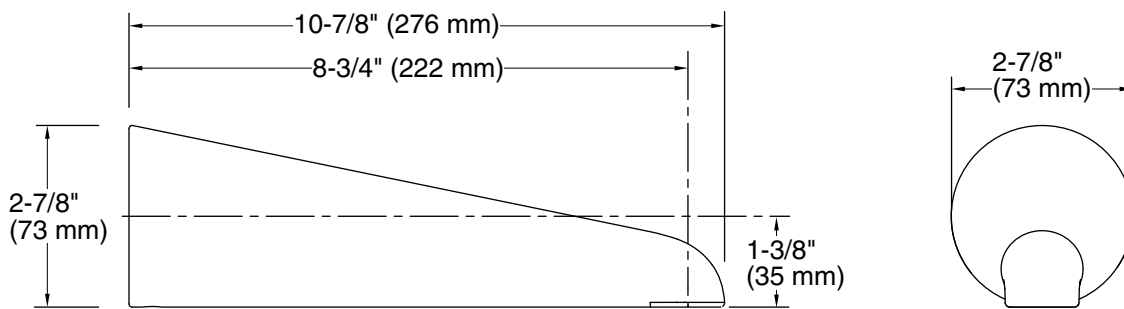
FEATURES

- Solid brass construction for durability and reliability
- Wall-mount installation with slip-fit and NPT threaded connections
- Complements the Taper collection

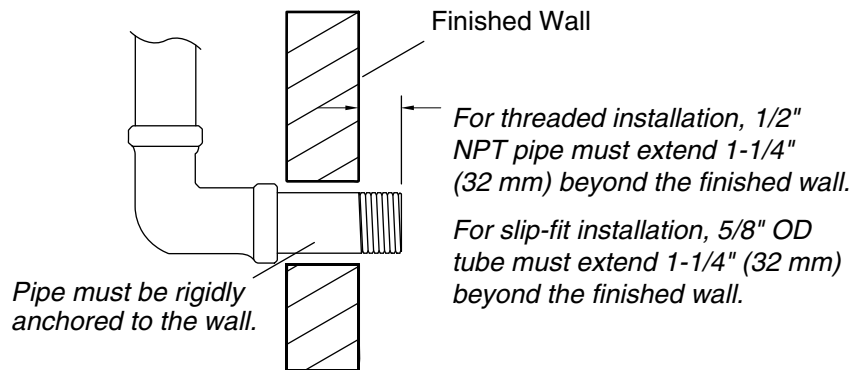
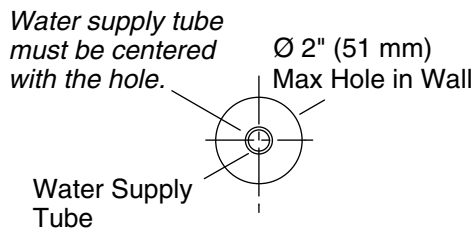
CODES/STANDARDS APPLICABLE

- Specified model meets or exceeds the following:
- ASME A112.18.1/CSA B125.1 (pending)

P24814



Spout Installation Information



SPECIFIED MODEL

Model	Description	Finishes		
P24814-00	Taper Bath Spout	<input type="checkbox"/> CP Polished Chrome	<input type="checkbox"/> AD Nickel Silver	<input type="checkbox"/> AG Brushed Nickel

We reserve the right to make revisions without notice in the design of products or in packaging unless this right has specifically been waived at the time the order is accepted.