

FEATURES

- Solid brass construction for durability and reliability
- Volume control valve allows the user to customize their shower experience
- Complements the One collection

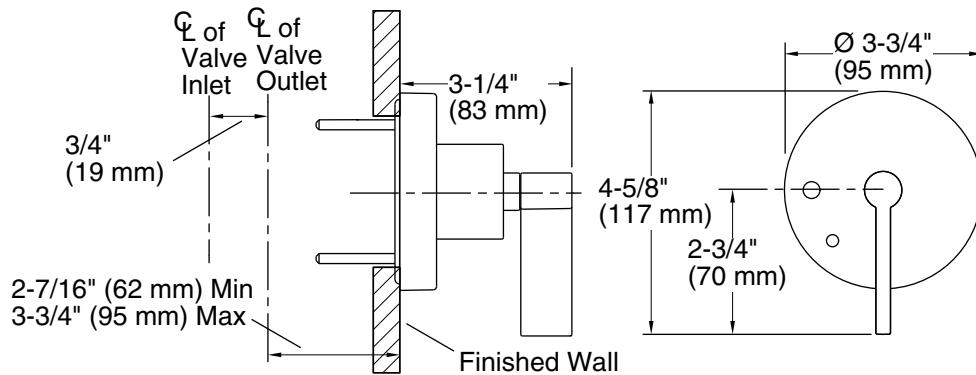
CODES/STANDARDS APPLICABLE

Specified model meets or exceeds the following:

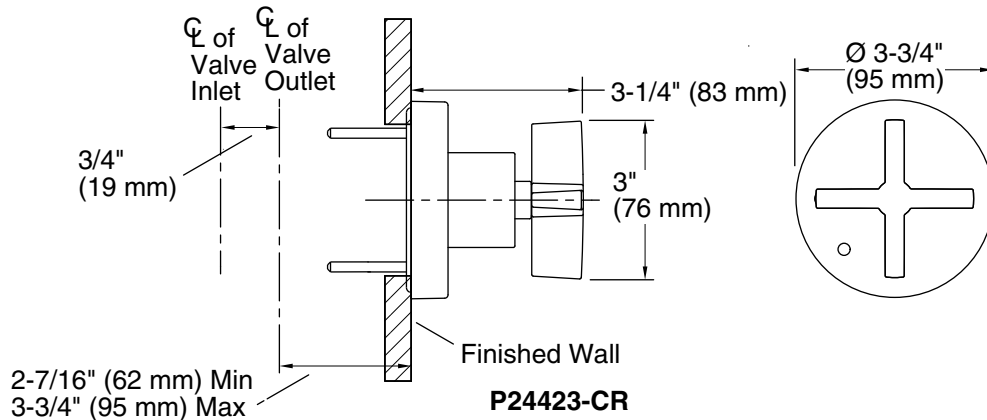
- ASME A112.18.1/CSA B125.1
- ADA
- ICC/ANSI A117.1

P24423

ADA



P24423-LV



P24423-CR

SPECIFIED MODEL

Model	Description	Finishes				
P24423-LV	One Volume Control Valve Trim, Lever Handle	<input type="checkbox"/> CP Polished Chrome	<input type="checkbox"/> AD Nickel Silver	<input type="checkbox"/> AG Brushed Nickel	<input type="checkbox"/> GN Gunmetal	<input type="checkbox"/> ULB Unlacquered Brass
P24423-CR	One Volume Control Valve Trim, Cross Handle	<input type="checkbox"/> CP Polished Chrome	<input type="checkbox"/> AD Nickel Silver	<input type="checkbox"/> AG Brushed Nickel	<input type="checkbox"/> GN Gunmetal	<input type="checkbox"/> ULB Unlacquered Brass
Required Rough-In						
P29527-00	1/2" Volume Control Valve	<input type="checkbox"/> NA				
P29528-00	3/4" Volume Control Valve	<input type="checkbox"/> NA				

We reserve the right to make revisions without notice in the design of products or in packaging unless this right has specifically been waived at the time the order is accepted.