

FEATURES

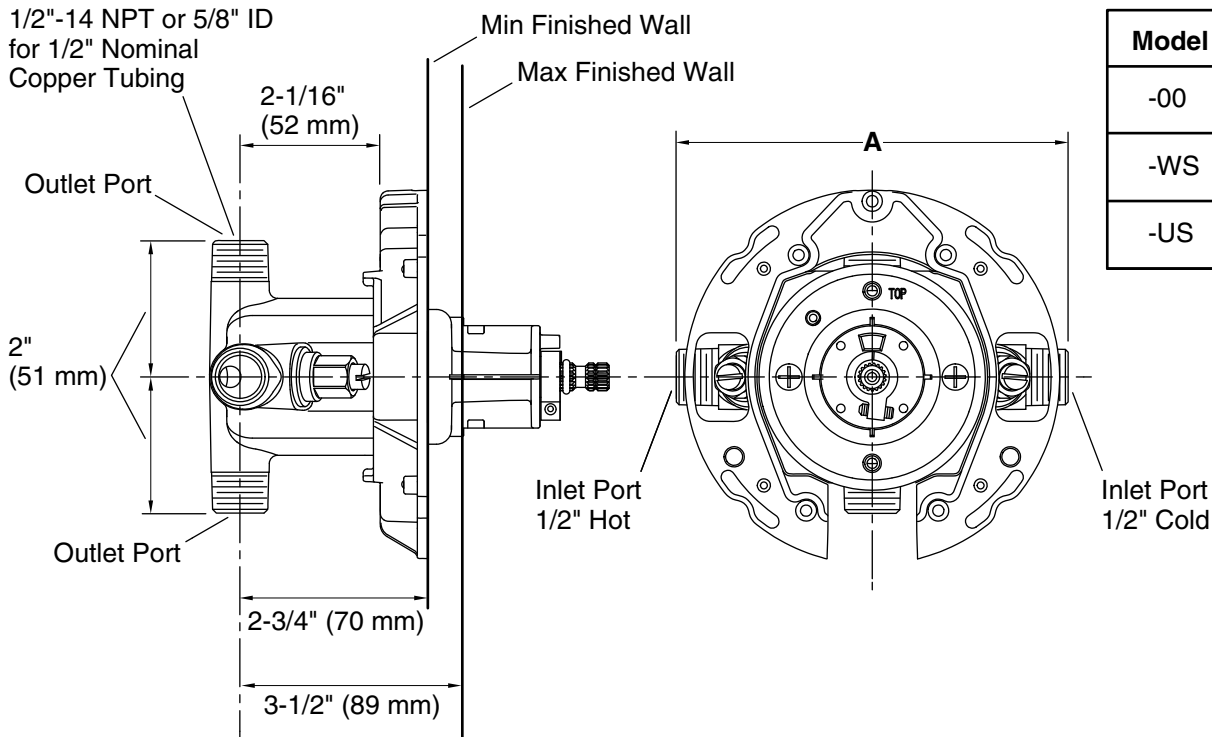
- Brass valve body
- Pressure-balancing diaphragm design valve
- One-piece diaphragm cartridge design for ease of maintenance
- Mixing valve cycles from "cold " to "hot "
- High-temperature limit setting for added safety
- Available with or without screwdriver stops

CODES/STANDARDS APPLICABLE

- Specified model meets or exceeds the following:
- ASME A112.18.1/CSA B125.1
 - ASSE 1016

P19300

1/2"-14 NPT or 5/8" ID
for 1/2" Nominal
Copper Tubing



Model	A
-00	4" (102 mm)
-WS	5-3/4" (146 mm)
-US	6-1/8" (156 mm)

ROUGHING-IN NOTES

Avoid cross-flow conditions. Do not install a shut-off device on either valve outlet. Install straight pipe or tube drop of 7" (178 mm) to 18" (457 mm) with single elbow between valve and wall-mount spout. Use only 1/2" (5/8 OD) copper tube between the valve and wall-mount spout. Refer to the installation instructions for the proper configuration of the connection between the valve and bath spout.

SPECIFIED MODEL

Model	Description	Finishes
P19300-00	Pressure-Balancing Valve without screwdriver stops	<input type="checkbox"/> NA
P19300-WS	Pressure-Balancing Valve with screwdriver stops	<input type="checkbox"/> NA
P19300-US	Pressure-Balancing Valve with screwdriver stops – PEX inlets	<input type="checkbox"/> NA

We reserve the right to make revisions without notice in the design of products or in packaging unless this right has specifically been waived at the time the order is accepted.