

### FEATURES

- Solid brass construction for durability and reliability
- Allows bather to set precise temperature
- Patented K-joint installation ensures consistent trim appearance, regardless of variability in valve rough-in
- Complements the Taper collection

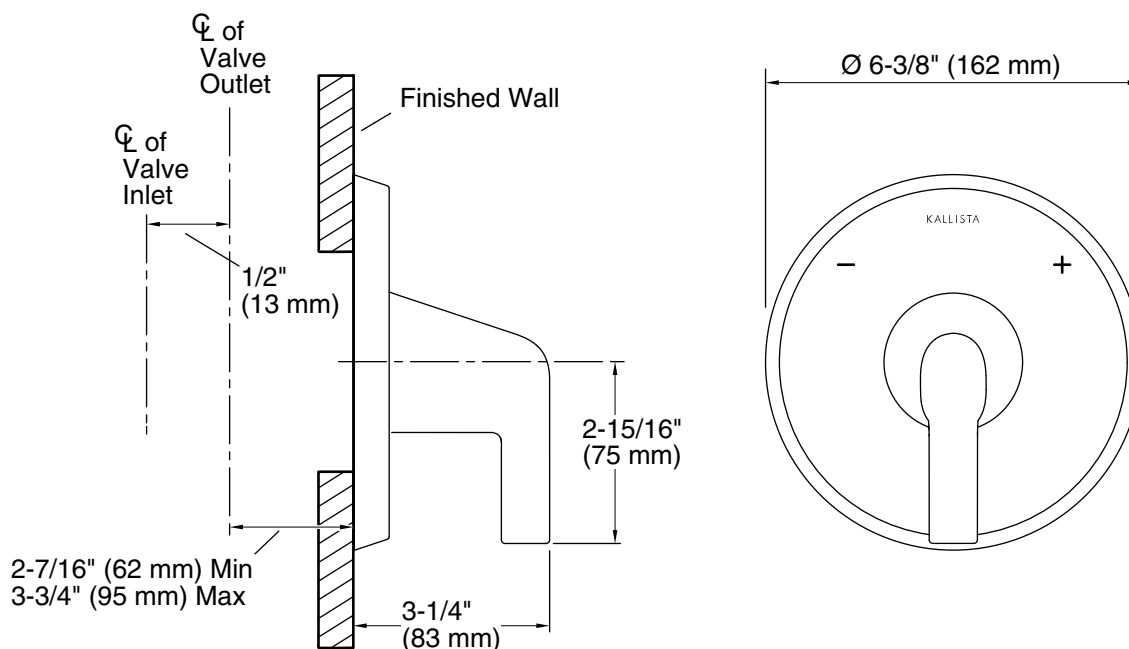
### CODES/STANDARDS APPLICABLE

Specified model meets or exceeds the following:

- ASME A112.18.1/CSA B125.1 (Pending)
- ICC/ANSI A117.1 (Pending)
- ADA (Pending)

# P24822

**ADA**



SPECIFIED MODEL				
Model	Description	Finishes		
P24822-LV	Taper Thermostatic Valve Trim, Lever Handle	<input type="checkbox"/> CP Polished Chrome	<input type="checkbox"/> AD Nickel Silver	<input type="checkbox"/> AG Brushed Nickel
Required Rough-in				
P29512-WS	3/4" Thermostatic Mixing Valve	<input type="checkbox"/> NA		
P29511-WS	1/2" Thermostatic Mixing Valve	<input type="checkbox"/> NA		

We reserve the right to make revisions without notice in the design of products or in packaging unless this right has specifically been waived at the time the order is accepted.