

# KALLISTA One™ Pressure Balance Valve Trim & Pressure Balance Valve Trim with Diverter

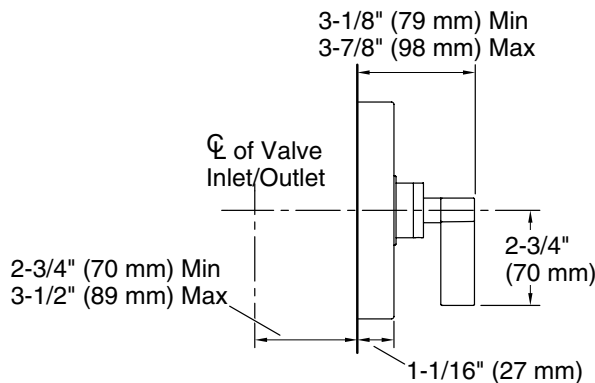
## FEATURES

- Solid brass construction for durability and reliability
- Pressure-balancing technology maintains water temperature within +/-3 degrees Fahrenheit
- High-temperature limit stop helps eliminate scalding
- Complements the One collection

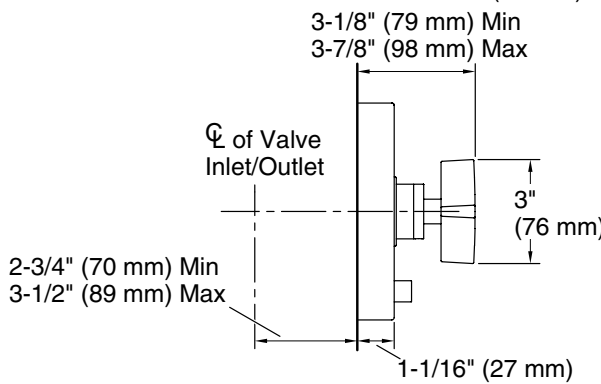
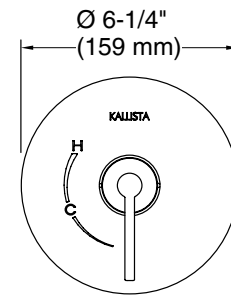
## CODES/STANDARDS APPLICABLE

- Specified model meets or exceeds the following:
- ASME A112.18.1/CSA B125.1
  - ICC/ANSI A117.1
  - ADA (lever handle only)
  - OBC (lever handle only)
  - CSA B651 (lever handle only)

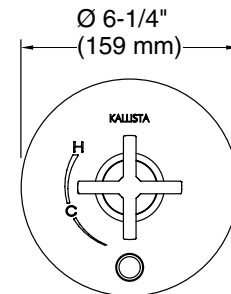
P24415,  
P24416



P24415-LV



P24416-CR



SPECIFIED MODEL				
Model	Description	Finishes		
P24415-CR	Pressure Balance Valve Trim, Cross Handle	<input type="checkbox"/> CP Polished Chrome	<input type="checkbox"/> AD Nickel Silver	<input type="checkbox"/> AG Brushed Nickel
		<input type="checkbox"/> GN Gunmetal	<input type="checkbox"/> ULB Unlacquered Brass	* BL Matte Black
P24415-LV	One Pressure Balance Valve Trim, Lever Handle	<input type="checkbox"/> CP Polished Chrome	<input type="checkbox"/> AD Nickel Silver	<input type="checkbox"/> AG Brushed Nickel
		<input type="checkbox"/> GN Gunmetal	<input type="checkbox"/> ULB Unlacquered Brass	* BL Matte Black
P24416-CR	One Pressure Balance Valve Trim with Diverter, Cross Handle	<input type="checkbox"/> CP Polished Chrome	<input type="checkbox"/> AD Nickel Silver	<input type="checkbox"/> AG Brushed Nickel
		<input type="checkbox"/> GN Gunmetal	<input type="checkbox"/> ULB Unlacquered Brass	* BL Matte Black
P24416-LV	One Pressure Balance Valve Trim with Diverter, Lever Handle	<input type="checkbox"/> CP Polished Chrome	<input type="checkbox"/> AD Nickel Silver	<input type="checkbox"/> AG Brushed Nickel
		<input type="checkbox"/> GN Gunmetal	<input type="checkbox"/> ULB Unlacquered Brass	* BL Matte Black
Required Rough-In				
P19310-00	Pressure Balance Rough-in for P24415	<input type="checkbox"/> NA		
P19310-WS	Pressure Balance Rough-in with Stops for P24415	<input type="checkbox"/> NA		
P19310-US	Rough-In with Stops and PEX connections for P24415	<input type="checkbox"/> NA		
P29306-WS	Pressure Balance High-Flow Rough-in for P24415	<input type="checkbox"/> NA		
P29500-00	Pressure Balance Rough-in & Thermostatic Cartridge for PXXX	<input type="checkbox"/> NA		
P29500-WS	Pressure Balance Rough-in & Thermostatic Cartridge with Stops for PXXX	<input type="checkbox"/> NA		
P29305-00	Pressure Balance with Diverter Rough-in for P24416	<input type="checkbox"/> NA		
P29305-WS	Pressure Balance with Diverter Rough-in with Stops for P24416	<input type="checkbox"/> NA		

\* BL Matte Black available Winter2019

We reserve the right to make revisions without notice in the design of products or in packaging unless this right has specifically been waived at the time the order is accepted.