

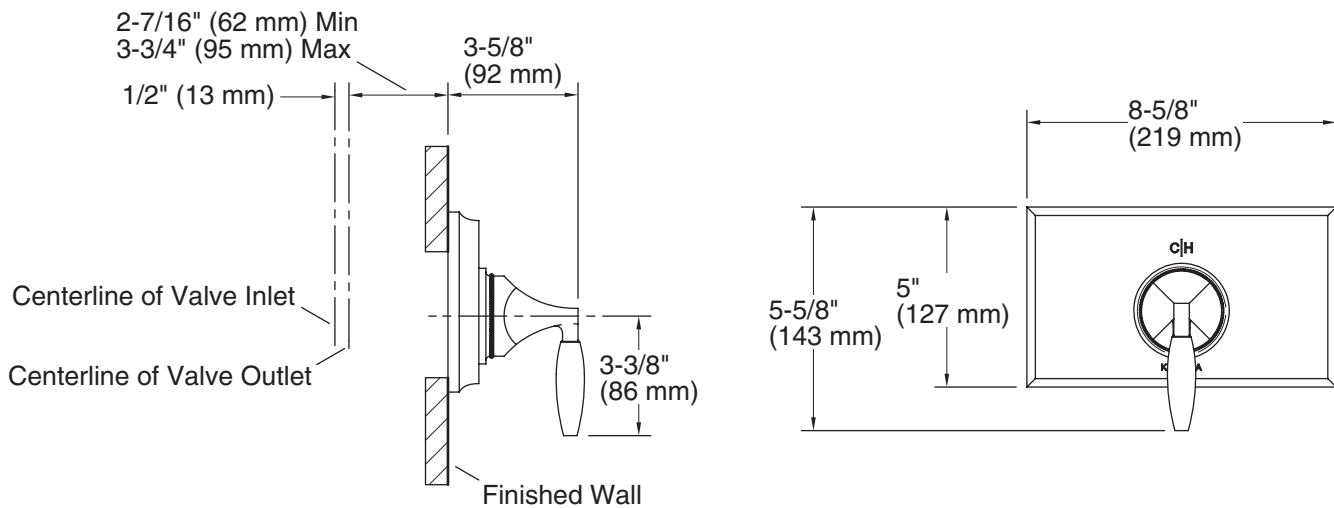
FEATURES

- Solid brass construction for durability and reliability
- Front seal plate assembly
- Allows bather to set precise temperature
- Complements the Glamour collection

CODES/STANDARDS APPLICABLE

- Specified model meets or exceeds the following:
- ASME A112.18.1/CSA B125.1

P22952



SPECIFIED MODEL				
Model	Description	Finishes		
P22952-EX	Glamour Thermostatic Trim, Ebony Lever Handles	<input type="checkbox"/> CP Polished Chrome	<input type="checkbox"/> AD Nickel Silver	<input type="checkbox"/> AG Brushed Nickel
P22952-IX	Glamour Thermostatic Trim, Ivory Lever Handles	<input type="checkbox"/> CP Polished Chrome	<input type="checkbox"/> AD Nickel Silver	<input type="checkbox"/> AG Brushed Nickel
Recommended Accessories				
P29511-WS	1/2" Thermostatic Mixing Valve	<input type="checkbox"/> NA		
P29512-WS	3/4" Thermostatic Mixing Valve	<input type="checkbox"/> NA		

We reserve the right to make revisions without notice in the design of products or in packaging unless this right has specifically been waived at the time the order is accepted.