

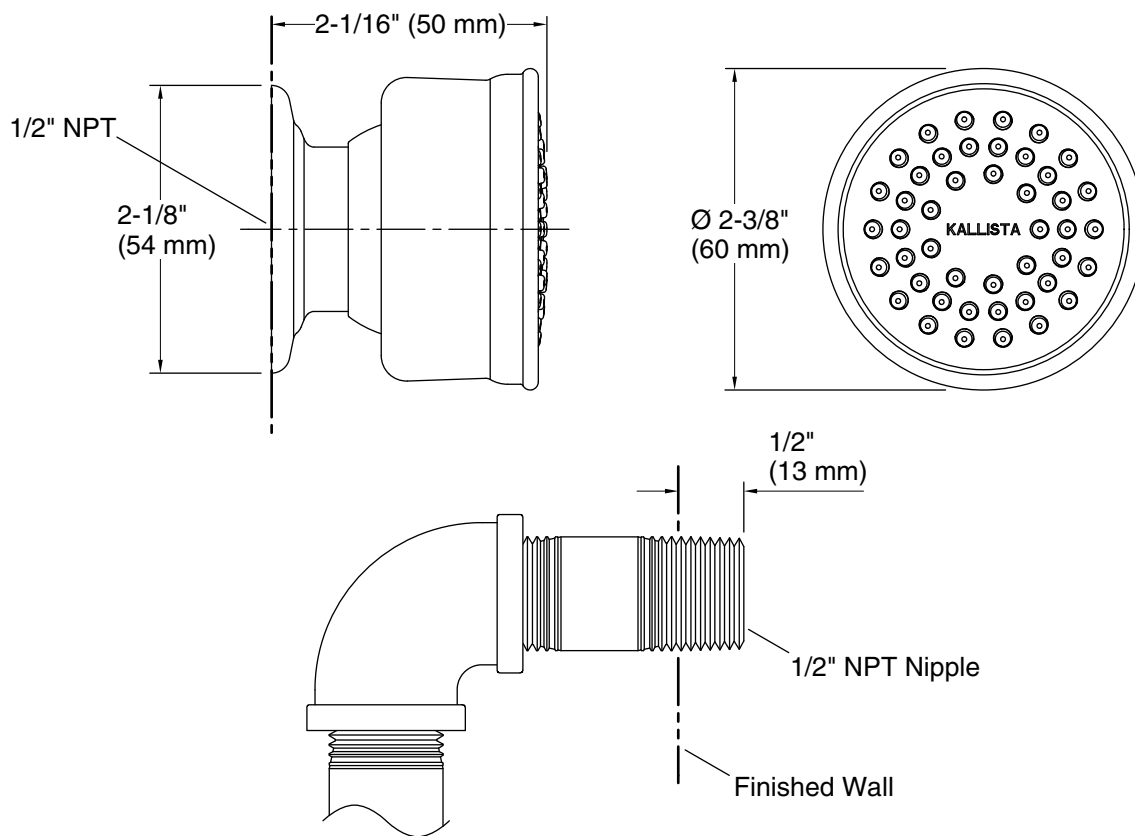
### FEATURES

- Solid brass construction for durability and reliability
- Quarter-turn washerless ceramic disc valves
- Sprayhead pivots 25 degrees
- Featured an internal volume control for complete shut off
- No separate volume control valve and trim necessary
- Easy to clean sprayface resists mineral buildup
- 2.5 gal/min (9.5 l/min) maximum flow rate
- Complements Kallista faucets and fixtures

### CODES/STANDARDS APPLICABLE

- Specified model meets or exceeds the following:
- IAPMO/cUPC

P22076



### SPECIFIED MODEL

Model	Description	Finishes			
P22076-00	TurnSpray Traditional Body Spray	<input type="checkbox"/> CP Polished Chrome	<input type="checkbox"/> AD Nickel Silver	<input type="checkbox"/> AG Brushed Nickel	<input type="checkbox"/> BZ Antique Bronze
		<input type="checkbox"/> SA Antique Silver	<input type="checkbox"/> W6 Weathered Bronze	<input type="checkbox"/> ULB Unlacquered Brass	

We reserve the right to make revisions without notice in the design of products or in packaging unless this right has specifically been waived at the time the order is accepted.