

FEATURES

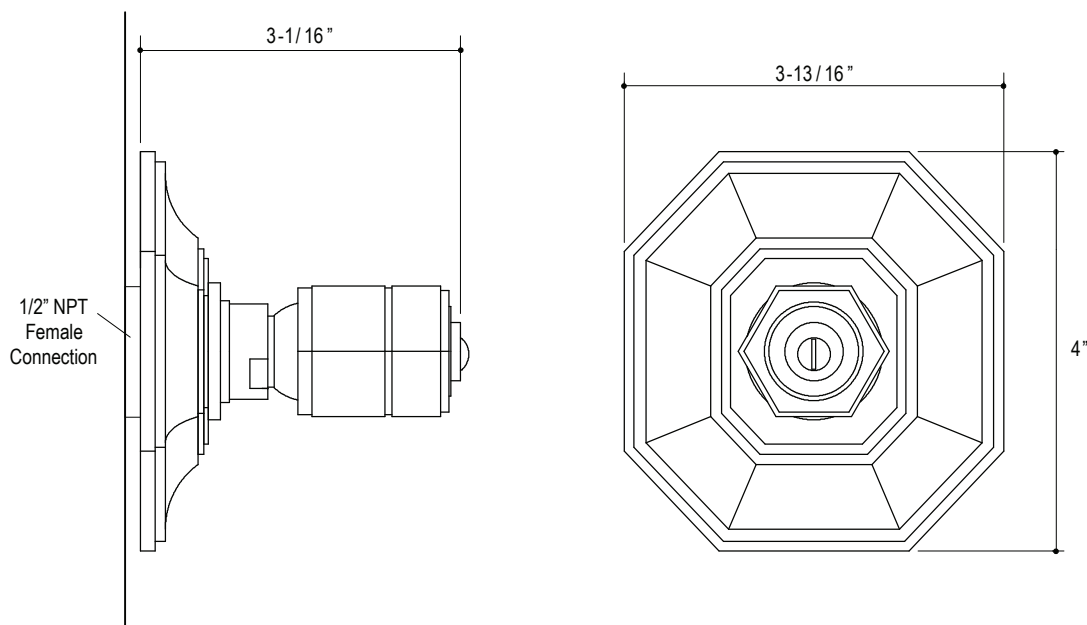
- 30° Pivot

CODES/STANDARDS APPLICABLE

Specified Model Meets or Exceeds the Following:

- ASME/ANSI A112.18.1M

P21442



SPECIFIED MODEL

Model	Description	Finishes	
P21442-00	Town Body Spray	<input type="checkbox"/> CP Polished Chrome <input type="checkbox"/> AG Brushed Nickel	<input type="checkbox"/> AD Nickel Silver

We reserve the right to make revisions without notice in the design of products or in packaging unless this right has specifically been waived at the time the order is accepted.