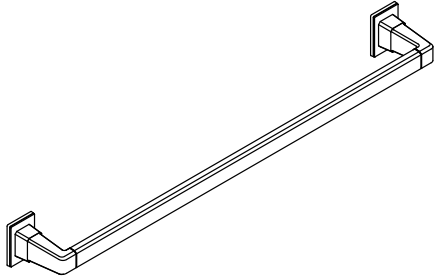


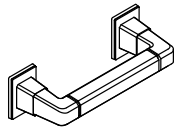
INSTALLATION INSTRUCTIONS



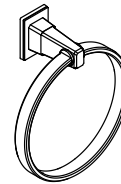
P34500



P34506



P34508



P34510

INSTALLATION INSTRUCTIONS

THANK YOU FOR CHOOSING KALLISTA

We appreciate your commitment to Kallista quality products. Please take a moment to review this manual before you install your Kallista product. If you encounter any installation or performance problems, please do not hesitate to contact us at the phone number listed at the bottom of the page.

BEFORE YOU BEGIN

- Observe all local building codes.
- Prior to installation, unpack the new product and inspect it for damage. Return the product to its protective carton until you are ready to install it.

TOOLS AND MATERIALS



Tape
Measure



Pencil



Level



Drill



Safety Glasses



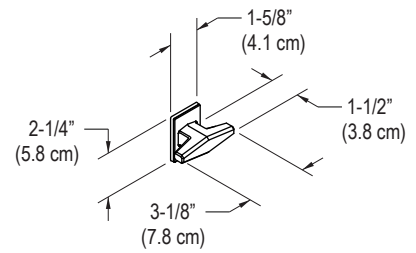
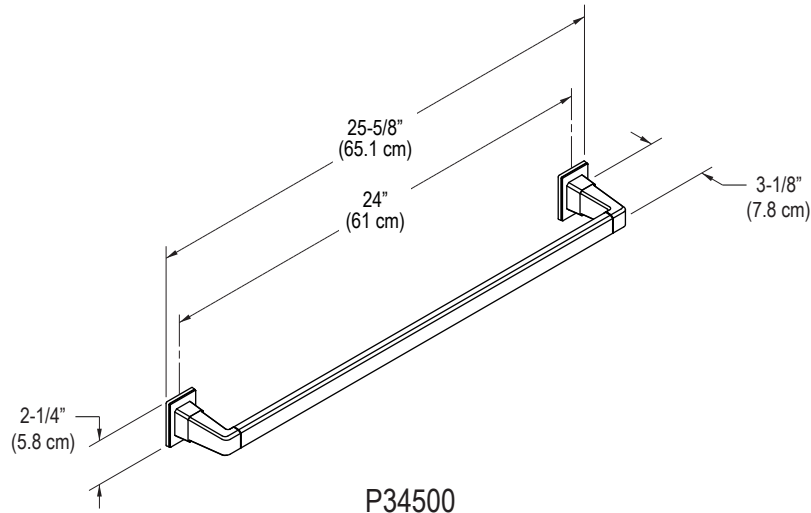
Phillips
Screwdriver



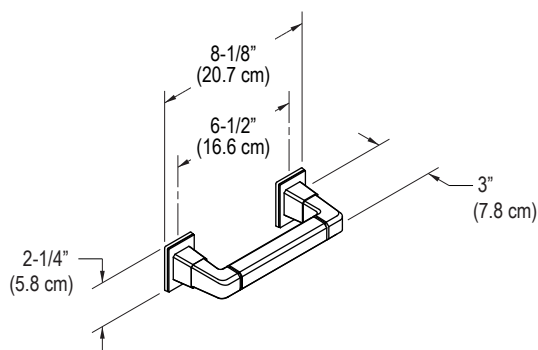
Hex
Wrench

INSTALLATION INSTRUCTIONS

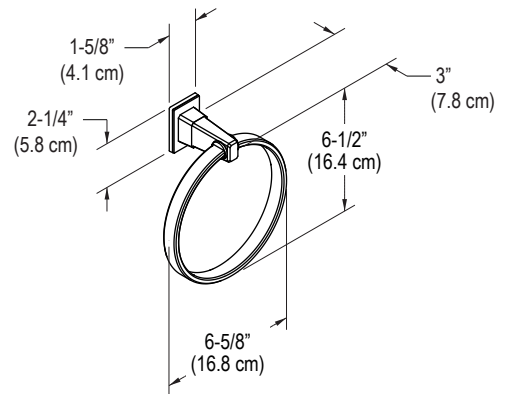
ROUGH-IN INFORMATION



P34506



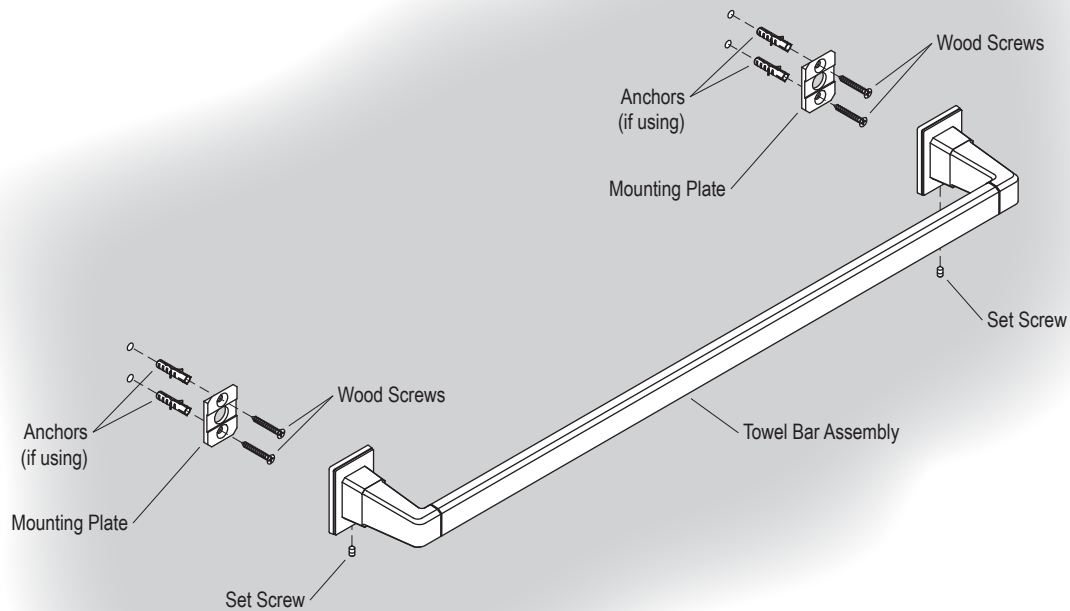
P34508



P34510

INSTALLATION INSTRUCTIONS

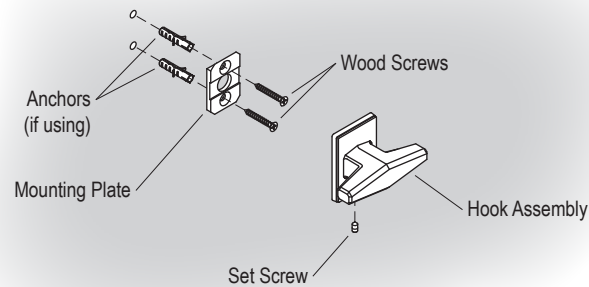
1. INSTALL THE P34500 TOWEL BAR



- Refer to the rough-in information to determine the location of the mounting plates.
- Mark the location of the mounting plate holes on the finished wall, making sure that the mounting plates will be level when mounted.
- If drilling into a stud, drill pilot holes for the wood screws. If there is not a stud behind the mounting plate location, drill holes to accommodate the anchors.
- Install the anchors, if using. Attach the mounting plates to the finished wall with the wood screws.
- Secure the towel bar assembly to the mounting plates with the set screws.

INSTALLATION INSTRUCTIONS

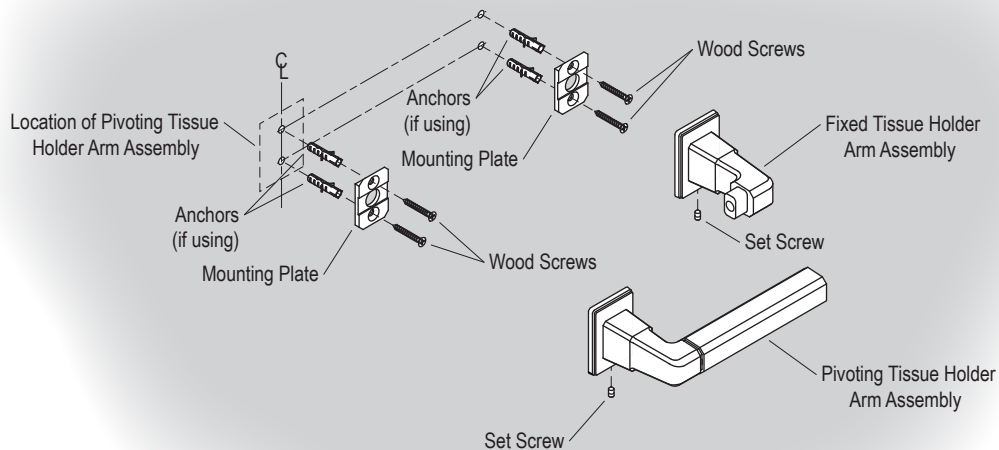
2. INSTALL THE P34506 HOOK



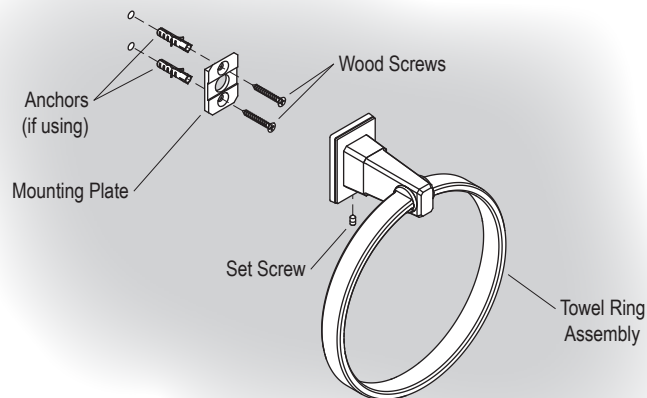
- Refer to the rough-in information to determine the location of the mounting plate.
- Mark the location of the mounting plate holes on the finished wall.
- If drilling into a stud, drill pilot holes for the wood screws. If there is not a stud behind the mounting plate location, drill holes to accommodate the anchors.
- Install the anchors, if using. Attach the mounting plate to the finished wall with the wood screws.
- Secure the hook assembly to the mounting plate with the set screw.

INSTALLATION INSTRUCTIONS

3. INSTALL THE P34508 TISSUE HOLDER



- Refer to the rough-in information to determine the location of the mounting plate for the fixed tissue holder arm assembly.
- Mark the location of the fixed tissue holder arm assembly mounting plate holes on the finished wall.
- If drilling into a stud, drill pilot holes for the wood screws. If there is not a stud behind the mounting plate location, drill holes to accommodate the anchors.
- Install the anchors, if using. Attach the mounting plate to the finished wall with the wood screws.
- Secure the fixed tissue holder arm assembly to the mounting plate with the set screw.
- Place the pivoting tissue holder arm assembly on the wall so that it is supported by, and level to, the fixed tissue holder arm assembly. Mark the location of the pivoting tissue holder arm assembly on the wall.
- Set the pivoting tissue holder arm assembly aside and mark the centerline of the pivoting tissue holder arm assembly on the wall.
- Remove the fixed tissue holder arm assembly from its mounting plate. With a level, transfer the location of the wood screw centers to the centerline of the pivoting tissue holder arm assembly.
- If drilling into a stud, drill pilot holes for the wood screws. If there is not a stud behind the mounting plate location, drill holes to accommodate the anchors.
- Install the anchors, if using. Attach the mounting plate to the finished wall with the wood screws.
- Re-secure the fixed tissue holder arm assembly to the mounting plate with the set screw.
- Secure the pivoting tissue holder arm assembly to the mounting plate with the set screw.
- Check the pivoting tissue holder arm assembly for proper operation. If necessary, loosen set screw and adjust pivoting tissue holder arm assembly left or right, as needed.

INSTALLATION INSTRUCTIONS**4. INSTALL THE P34510 TOWEL RING**

- Refer to the rough-in information to determine the location of the mounting plate.
- Mark the location of the mounting plate holes on the finished wall.
- If drilling into a stud, drill pilot holes for the wood screws. If there is not a stud behind the mounting plate location, drill holes to accommodate the anchors.
- Install the anchors, if using. Attach the mounting plate to the finished wall with the wood screws.
- Secure the towel ring assembly to the mounting plate with the set screw.