

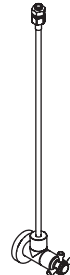
# KALLISTA<sup>®</sup> Contemporary Basin Set Supply Line and Traditional Basin Set Supply Line

---

## INSTALLATION INSTRUCTIONS



**P21638**



**P21642**

## INSTALLATION INSTRUCTIONS

### THANK YOU FOR CHOOSING KALLISTA

We appreciate your commitment to KALLISTA quality products. Please take a moment to review this manual before you install your KALLISTA product. If you encounter any installation or performance problems, please do not hesitate to contact us at the phone number listed at the bottom of the page.

### BEFORE YOU BEGIN

**IMPORTANT: Risk of product damage.** Do not kink or cause damage to the supply tube during installation.

- Observe all local plumbing and building codes.
- Turn off the water supplies.
- KALLISTA reserves the right to make revisions in the design of products without notice, as specified in the Price Book.

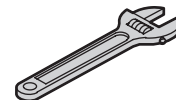
### TOOLS AND MATERIALS



Sealant Tape



Strap Wrench

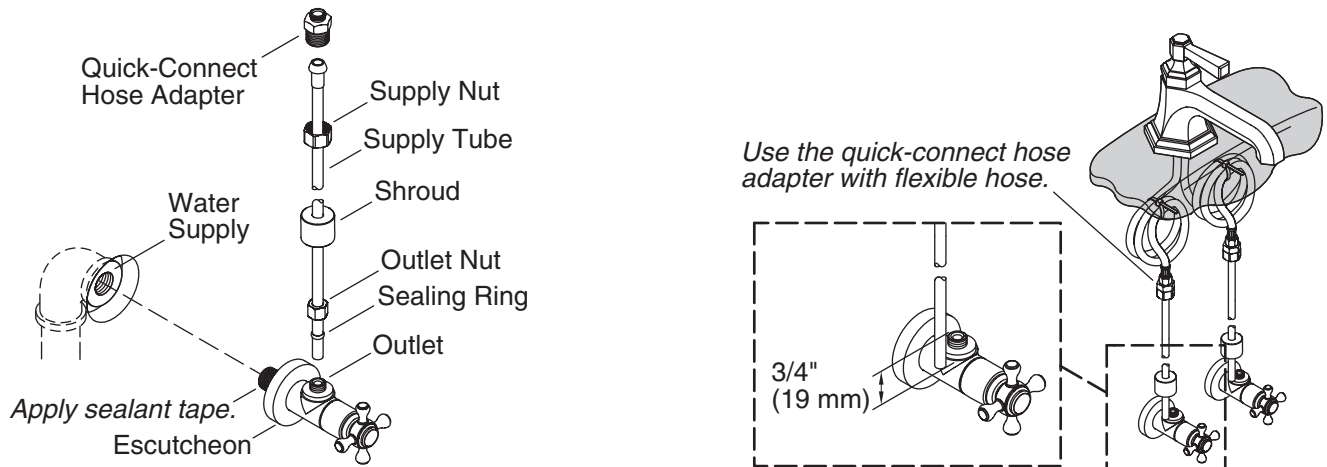


Adjustable Wrench

# KALLISTA<sup>®</sup> Contemporary Basin Set Supply Line and Traditional Basin Set Supply Line

## INSTALLATION INSTRUCTIONS

### 1. INSTALL THE SUPPLY AND STOP



**NOTE:** The following instructions apply to both the hot and cold water supply valves.

- Wrap sealant tape around the threads of the valve body assembly.
- Slip the escutcheon over the threaded end of the valve body assembly. Thread the valve body assembly into the water supply.
- Tighten with a clean strap wrench, making sure the water outlet on the body assembly is facing straight up.
- Remove the shroud from the water outlet and set aside.

**NOTE:** Depending on the faucet style, use either the 1/2" NPSM supply nut or add the 3/8" hose adapter to connect to flexible supply hose.

- If connecting to a faucet with flexible supply hoses**, hide the hot and cold supply hose by curling the hose into a coil. Use a zip tie to hold the coil in place, leaving enough hose to attach to the hose adapter.
- To determine the length of the supply tube, use the supply nut to temporarily attach the supply tube to the faucet (**if connecting to flexible supply hoses**, attach the hose adapter to the supply nut).
- Align the supply tube with the valve body assembly and mark the supply tube to extend 3/4" (19 mm) into the outlet nut.

**IMPORTANT:** If the supply tube needs to be shortened, cut only on the plain end. **Do not cut** the ferruled end of the supply tube!

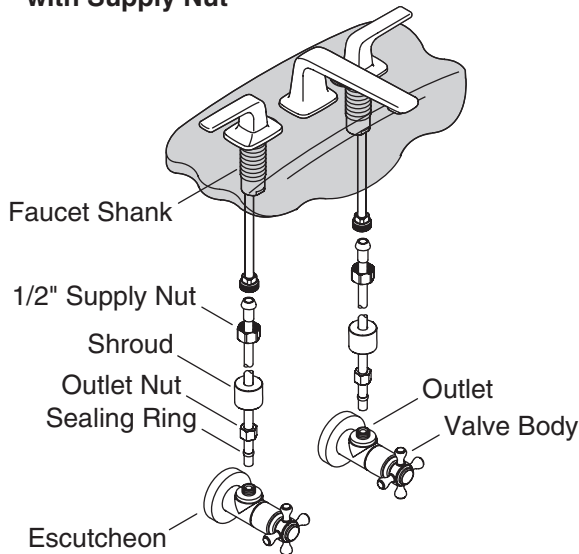
- Remove the supply tube and carefully cut the supply tube to the required length, being careful not to compress or scratch the tube. Remove any burrs from the cut end.

# KALLISTA<sup>®</sup> Contemporary Basin Set Supply Line and Traditional Basin Set Supply Line

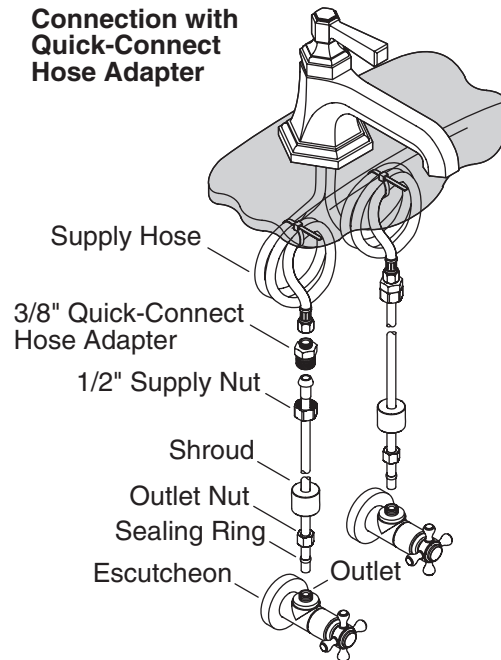
## INSTALLATION INSTRUCTIONS

### 2. CONNECT THE SUPPLY

**Connection with Supply Nut**



**Connection with Quick-Connect Hose Adapter**



- Slide the supply nut and shroud onto the supply tube (if connecting to flexible supply hoses, attach the hose adapter to the supply nut).
- Slide the shroud, outlet nut, and then the sealing ring onto the supply tube.
- Insert the plain end of the supply tube into the outlet. Slide the sealing ring and outlet nut down the supply tube.
- Thread the outlet nut onto the outlet. Tighten the outlet nut with a wrench.
- Align the top of the supply tube with the faucet connection (the supply tube can be bent slightly) and connect the supply tube.
- Turn on the water supply. Turn the valve handles to the left. Check for leaks and repair as necessary.
- Slide the shrouds over the outlet nuts.
- Slide the escutcheons so that they meet the wall. Apply a bead of silicone sealant or caulk around the perimeter of the escutcheons, if desired.