

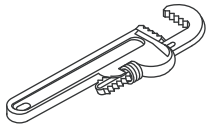
Installation Instructions

Bath Drains

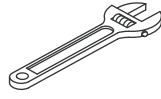
KALLISTA.

1040187-2-C

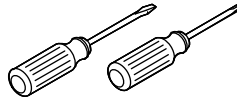
Tools and Materials



Pipe
Wrench



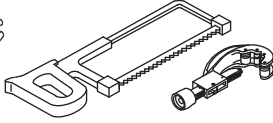
Adjustable
Wrench



Assorted
Screwdrivers



Pliers



Hacksaw or
Tubing Cutter



Plumbers
Putty



Thread
Sealant
Tape

Plus:
• Trap

Thank You For Choosing Kallista

We appreciate your commitment to KALLISTA quality products. Please take a moment to review this manual before you install your KALLISTA product. If you encounter any installation or performance problems, please do not hesitate to contact us from within the USA or Canada at 1-888-4-KALLISTA (1-888-452-5547).

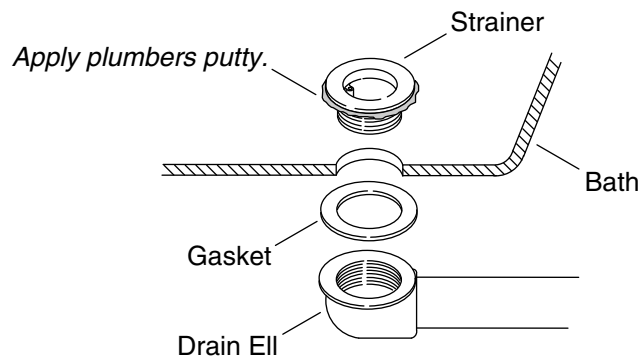
Before You Begin

NOTICE: Do not wrench-tighten the connections and fittings until instructed to do so. Initially handtighten the connections.

- Observe all local plumbing and building codes.
- Turn off the main water supplies.
- Carefully inspect all drain components for damage before installing.
- If installing a new bath, install the drain before installing the bath.
- For replacement drain installations, remove the wall covering from the drain end of the bath and remove the existing drain.
- Cover the bath with a drop cloth or similar material during installation.
- Use care to protect the product finish during installation.

Before You Begin (cont.)

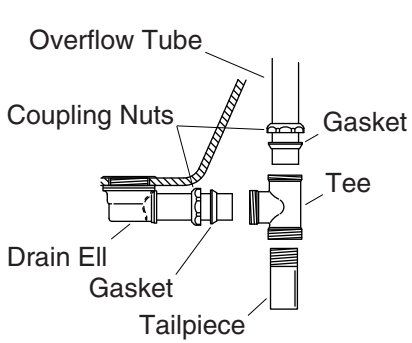
- The overflow ell and drain ell tubes may need to be cut for proper fit. Measure carefully, cut them to the proper length, and remove any rough edges.
- Refer to the roughing-in dimensions of your bath to properly install this product.
- KALLISTA reserves the right to make revisions in the design of products without notice, as specified in the Price Book.



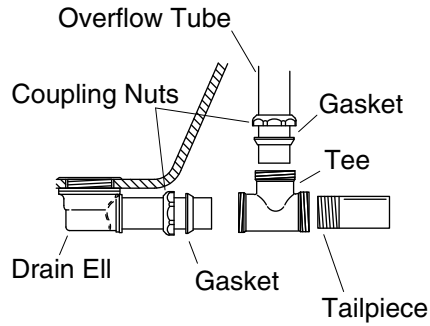
1. Install the Drain Ell

NOTE: The strainer, gasket, and drain ell ship assembled. Disassemble these items prior to continuing with this installation procedure.

- Remove the stopper, strainer, and gasket from the drain ell.
- Apply a generous bead of plumbers putty or other sealant to the underside of the strainer.
- Align the drain ell to point toward the front of the bath.
- Align the drain ell and gasket underneath the bath drain hole.
- Carefully thread the strainer into the drain ell until snug. Do not fully tighten at this time.
- Remove any excess plumbers putty from around the strainer.



Through-the-Floor Installations

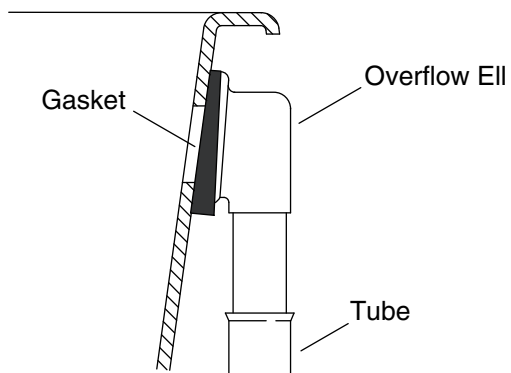


Above-the-Floor Installations

2. Install the Drain Tubing

NOTE: The same steps apply to both above-the-floor and through-the-floor installations, but the tee is aligned differently. Align as shown in the illustration.

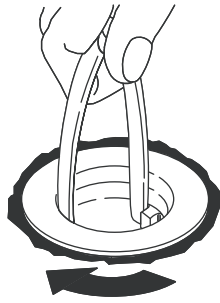
- Slide a coupling nut, then a gasket onto the overflow tube.
- Slide a coupling nut, then a gasket onto the drain ell.
- Align the overflow tube and drain ell with the tee. Align the tee following the illustration for your style of installation.
- Insert the tubes completely into the tee. If necessary, cut the overflow tube to the correct length. Remove any burrs.
- Align the tubes and tighten the nuts.
- Slide a coupling nut, then a gasket onto one end of the tailpiece.
- Insert the tailpiece 1" (25 mm) to 2" (51 mm) inside the trap inlet. The tailpiece may need to be cut for proper fit.
- Insert the tailpiece completely into the tee and tighten the nut.
- Tighten the trap inlet onto the tailpiece.



3. Install the Overflow Ell

NOTE: If your drain included a tapered gasket, the tapered side should face out, and the thin edge should be on top when the gasket is properly positioned.

- Attach the gasket to the overflow ell.
- Align the overflow ell with the overflow hole in the bath.

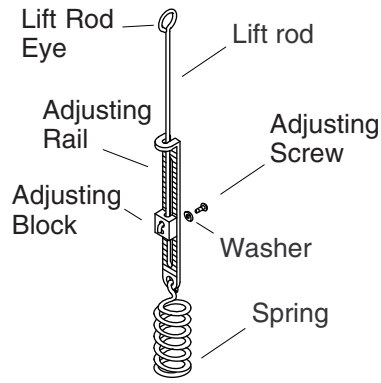
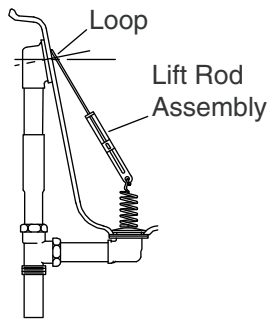


4. Tighten the Drain Ell



CAUTION: Risk of property damage. Do not reposition the drain ell after the strainer is tightened. Moving the drain ell may damage the seal created when the strainer was tightened, increasing the risk of leaking.

- Tighten the drain ell securely by inserting plier handles into the top of the strainer.
- Turn the strainer into the drain ell.
- Remove any excess plumbers putty.

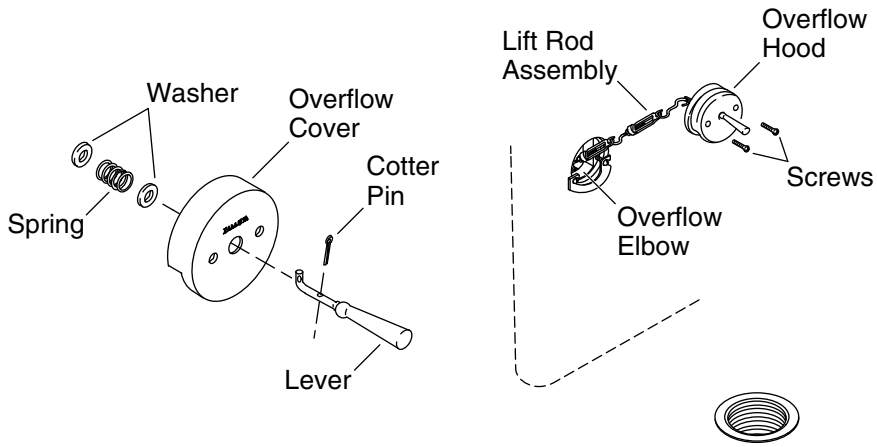


Assemble lift rod components.

5. Install the Lift Rod

NOTE: If more than one lift rod is supplied, choose the one that most comfortably extends to the diagonal length between the closed drain stopper to the overflow ell.

- Assemble the lift rod components.
- Place the spring of the lift rod assembly on the top of the closed drain stopper and align the eye of the lift rod with the center of the overflow ell opening.
- Adjust the lift rod assembly to the proper length. Slide the adjusting block up the adjusting rail to increase clearance, or down the rail to decrease clearance.
- Center the eye of the lift rod with the center of the overflow ell opening for final alignment.



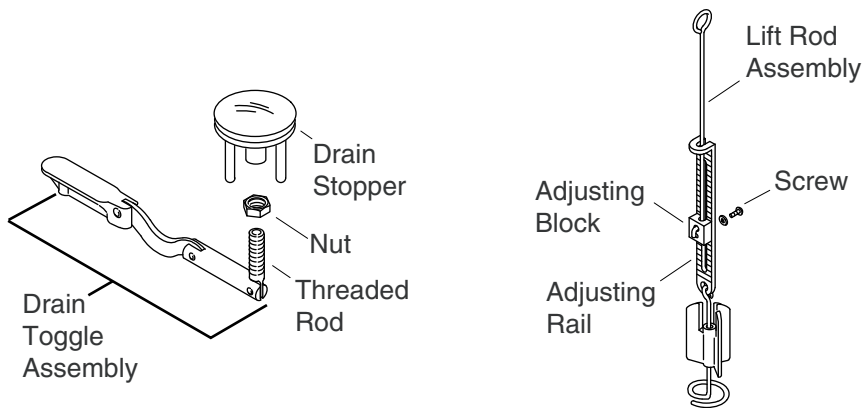
6. Install the Overflow Hood

Assemble the Handle

- Place the lever through the overflow cover.
- Slide one washer, the spring, and a second washer onto the lever.
- Secure the spring and washers in place by sliding a cotter pin through the hole in the lever closest to the overflow hood.
- Spread the ends of the cotter pin to secure it.

Secure to the Bath

- Hook the lift rod eye onto the lever.
- If necessary, close the lift rod eye with a pliers to prevent it from slipping off the lever.
- Insert the lift rod assembly, with attached hood, into the overflow ell.
- From inside the bath, thread two screws through the overflow hood and then into the overflow ell.



7. Install the Strainer Body

- Lift the lever until it stops.
- Insert the drain toggle assembly into the drain ell.
- The drain stopper should rise approximately 3/8" (10 mm) above the strainer. Adjust if needed.
- If adjustment is required, remove the drain toggle assembly from the drain ell.
- Raise the drain stopper by turning it counterclockwise, or lower by turning it clockwise.
- Tighten the nut until it contacts the underside of the drain stopper.

NOTE: If sufficient clearance cannot be obtained by adjusting the drain stopper, remove the drain toggle assembly and then the lift rod assembly.

- Loosen the screw and slide the adjusting block up or down as needed.
- Tighten the screw and insert the lift rod assembly into the overflow ell.
- Insert the drain toggle assembly into the drain ell.
- Recheck clearance.

8. Complete the Installation

- Make sure all connections are tight.
- Open the drain.
- Turn on the main water supply and check for leaks.
- Make all needed final connections.
- Close the drain.
- Fill the bath with water and check for leaks. Make sure the overflow connections do not leak.
- Operate the lever to the open and close positions to check for proper operation of the drain stopper.

USA/Canada: 1-888-4-KALLISTA

Fax: 1-888-272-3094

kallista.com

KALLISTA.

©2020 KALLISTA

1040187-2-C