

# KALLISTA®

One™ by KALLISTA  
Deck-mount bath faucet, P.E. Guerin handles  
P32363-ULB

## Features

- High-quality solid-brass construction for durability and reliability
- Spout reach is 7-3/16" (183 mm)
- Required rough-in sold separately
- Diverter, handshower, and handshower trim sold separately

## Required Products/Accessories

P19303-00 3/4" Ceramic High-Flow Valve System

## Recommended Products/Accessories

P50047-G5 Small Rectangular Air Bathtub  
P24843-00 Wand Dual-Function Handshower with Hose  
P21930-00 Contemporary Drain Trim Kit  
P34402-00 Towel Bar, 18"



ADA

CSA B651


OBC

KALLISTA® Five-Year Limited  
Warranty

See website for detailed warranty  
information.

## Available Colors/Finishes

*Color tiles intended for reference only.*

Color	Code	Description
	SN	Polished Nickel

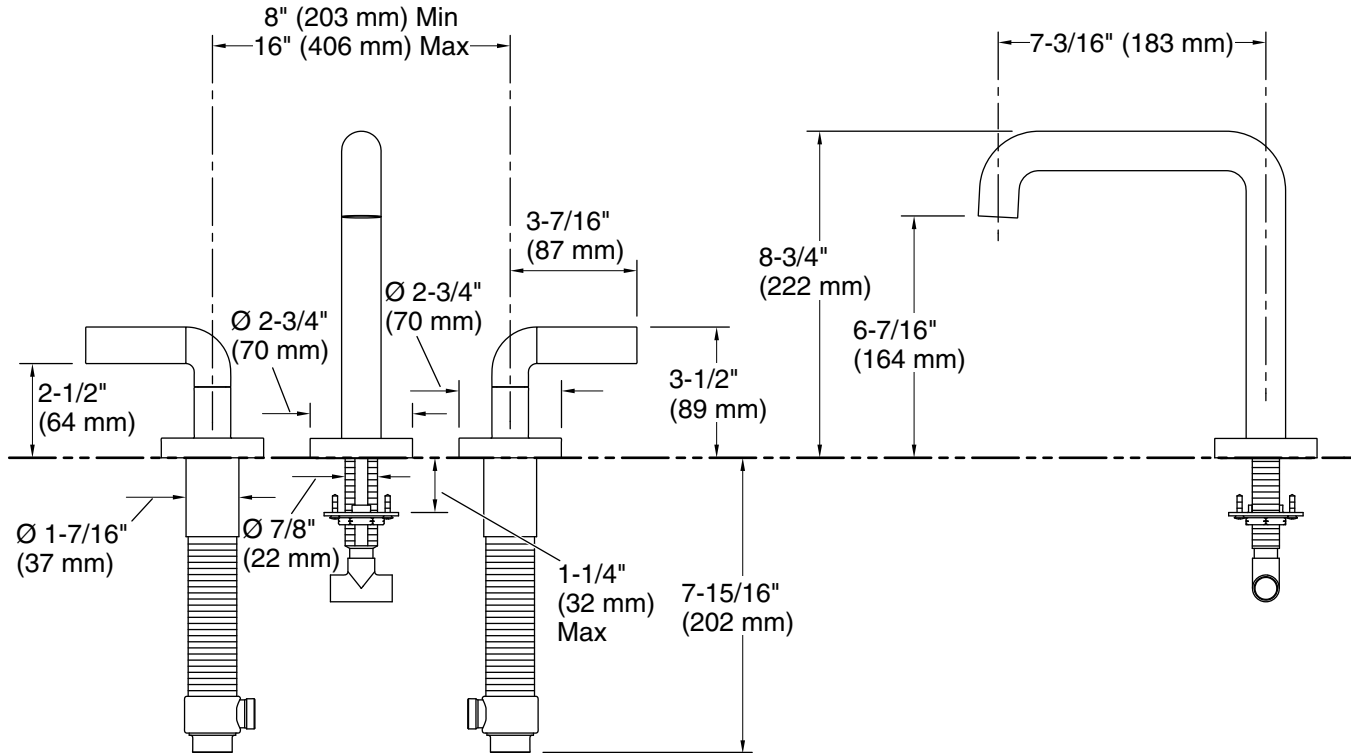
---

1-888-4-KALLISTA (1-888-452-5547)

Kallista reserves the right to make revisions without notice to product specifications.

For the most current Specification Sheet, go to [www.kallista.com](http://www.kallista.com).

2-6-2025 21:31 - US/CA



## Technical Information

All product dimensions are nominal.

Faucet flow rate: 8 gal/min (30.3 l/min)

Drain included: No

Drain with overflow: No

Spout:

Spout reach: 7-3/16" (183 mm)

## Notes

Install this product according to the installation instructions.

ADA, OBC, CSA B651 compliant when installed to the specific requirements of these regulations.