

KALLISTA®

Vir Stil® Minimal by Laura Kirar Deck-Mount Diverter, Lever Handle P80252-LV

Features

- High-quality solid-brass construction for durability and reliability
- Enables water diversion from bath faucet to handshower
- Required rough-in sold separately
- Deck-mount installation
- Single-handle control

Required Products/Accessories

P20995-00 Deck-Mount Diverter Valve

Recommended Products/Accessories

P50047-00 Small Rectangular Bathtub
P80251-LV Deck-Mount Bath Faucet, Lever Handles
P80249-LV Sink faucet, arch spout, lever handles
P80253-00 Wall-Mount Bath Spout



ADA

CSA B651

OBC

Codes/Standards

ASME A112.18.1/CSA B125.1

ADA

ICC/ANSI A117.1

CSA B651

OBC


IAPMO Certification

KALLISTA® Five-Year Limited Warranty

See website for detailed warranty information.

Available Colors/Finishes

Color tiles intended for reference only.

Color	Code	Description
	CP	Polished Chrome
	SN	Polished Nickel
	BAF	Brushed French Gold
	BN	Brushed Nickel

1-888-4-KALLISTA (1-888-452-5547)

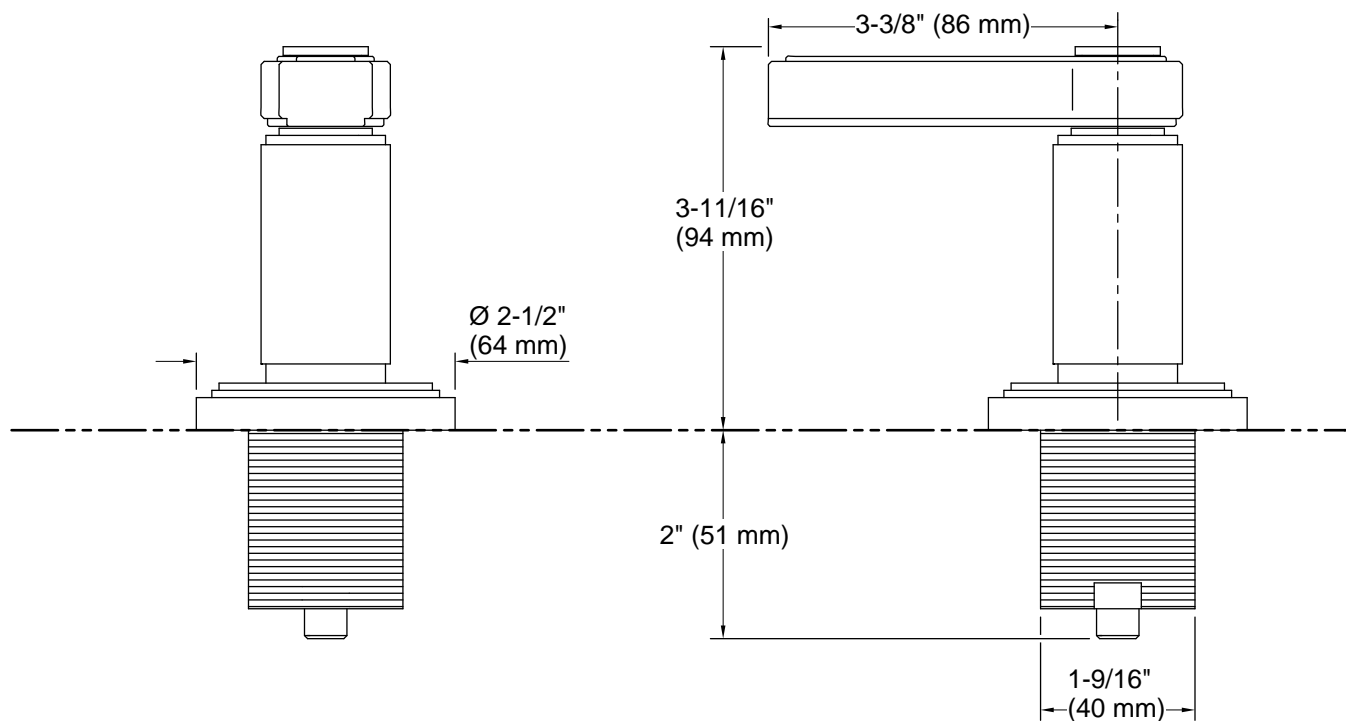
Kallista reserves the right to make revisions without notice to product specifications.

For the most current Specification Sheet, go to www.kallista.com.

12-19-2024 21:40 - US/CA

KALLISTA®

Vir Stil® Minimal by Laura Kirar
Deck-Mount Diverter, Lever Handle
P80252-LV



Technical Information

All product dimensions are nominal.

Drain included: No

Notes

Install this product according to the installation guide.

ADA, OBC, CSA B651 compliant when installed to the specific requirements of these regulations.