

KALLISTA®

Vir Stil® Minimal by Laura Kirar Deck-Mount Bath Faucet, Lever Handles P80251-LV

Features

- High-quality solid-brass construction for durability and reliability
- Widespread bath faucet for 8" (203 mm) - 26" (660 mm) centers
- Required rough-in sold separately (P19303-00-NA)
- Diverter, handshower, and handshower trim sold separately
- Spout reach is 7-1/2" (191 mm)

Required Products/Accessories

P19303-00 3/4" Ceramic High-Flow Valve System

Recommended Products/Accessories

P80249-LV Sink faucet, arch spout, lever handles

P80254-LV Single control trim

P50045-00 Large Rectangular Bathtub

P25656-00 Handshower with Hose



ADA

CSA B651

OBC

Codes/Standards

ASME A112.18.1/CSA B125.1

ADA

ICC/ANSI A117.1

CSA B651

OBC


IAPMO Certification

KALLISTA® Five-Year Limited Warranty

See website for detailed warranty
information.

Available Colors/Finishes

Color tiles intended for reference only.

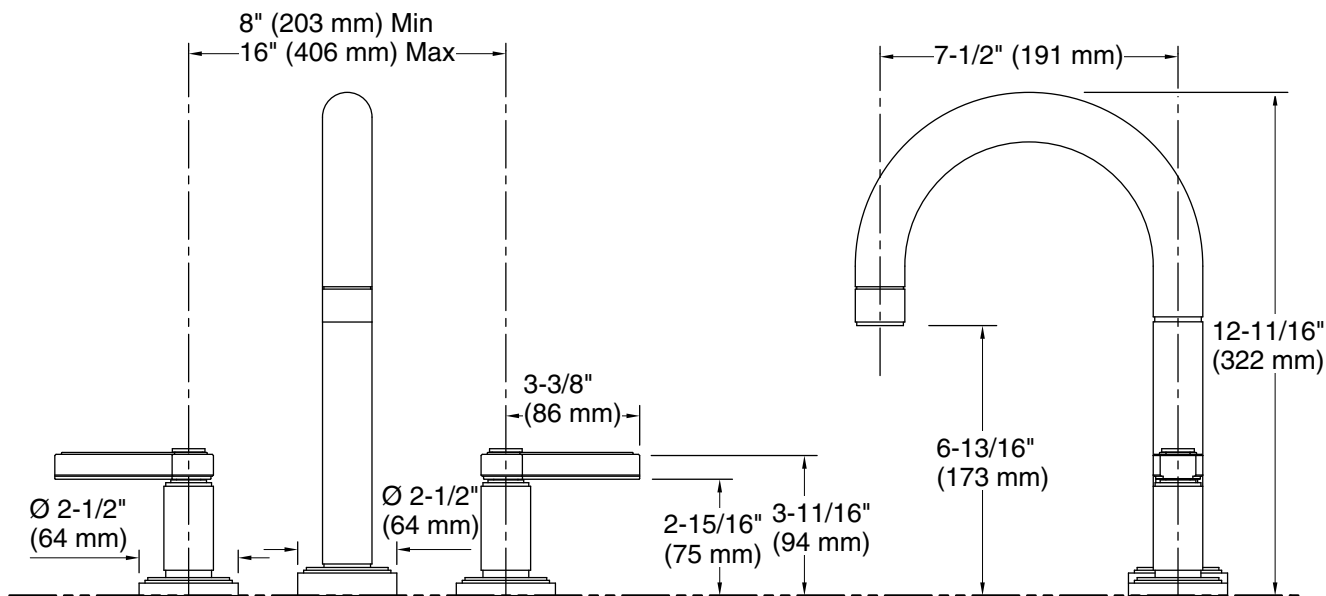
Color	Code	Description
	CP	Polished Chrome
	BAF	Brushed French Gold
	SN	Polished Nickel
	BN	Brushed Nickel

1-888-4-KALLISTA (1-888-452-5547)

Kallista reserves the right to make revisions without notice to product specifications.

For the most current Specification Sheet, go to www.kallista.com.

8-10-2024 19:56 - US/CA



Technical Information

All product dimensions are nominal.

Faucet:

Flow rate: 2.2 gal/min (8.3 l/min)

Drain included: No

Spout:

Spout reach: 7-1/2" (191 mm)

Notes

Install this product according to the installation guide.

ADA, OBC, CSA B651 compliant when installed to the specific requirements of these regulations.