

# KALLISTA®

## Vir Stil® Minimal by Laura Kirar Sink faucet, arch spout, lever handles P80249-LV

### Features

- High-quality solid-brass construction for durability and reliability
- Widespread sink faucet for 8" – 16" (203 – 406 mm) centers
- 1.2 gpm (4.5 lpm) maximum flow rate
- Spout reach is 5-1/2" (140 mm)
- Includes soft-touch drain
- Laminar flow

### Recommended Products/Accessories

- P50206-00 Freestanding Bathtub
- P80274-00 Freestanding Bath Faucet, Less Handshower
- P74234-WO Under-mount Sink, Soft Rectangle with Overflow, Glazed
- P80262-00 Towel Bar, 24"



**ADA** **CSA B651** **OBC**

### Codes/Standards

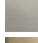


ASME A112.18.1/CSA B125.1  
NSF/ANSI/CAN 61  
NSF/ANSI/CAN 372  
DOE - Energy Policy Act 1992  
EPA WaterSense®  
California Energy Commission (CEC)  
ADA  
ICC/ANSI A117.1  
CSA B651  
OBC  
IAPMO Certification

### KALLISTA® Five-Year Limited Warranty

See website for detailed warranty information.

### Available Colors/Finishes

*Color tiles intended for reference only.*

Color	Code	Description
	CP	Polished Chrome
	BN	Brushed Nickel
	BAF	Brushed French Gold
	SN	Polished Nickel

1-888-4-KALLISTA (1-888-452-5547)

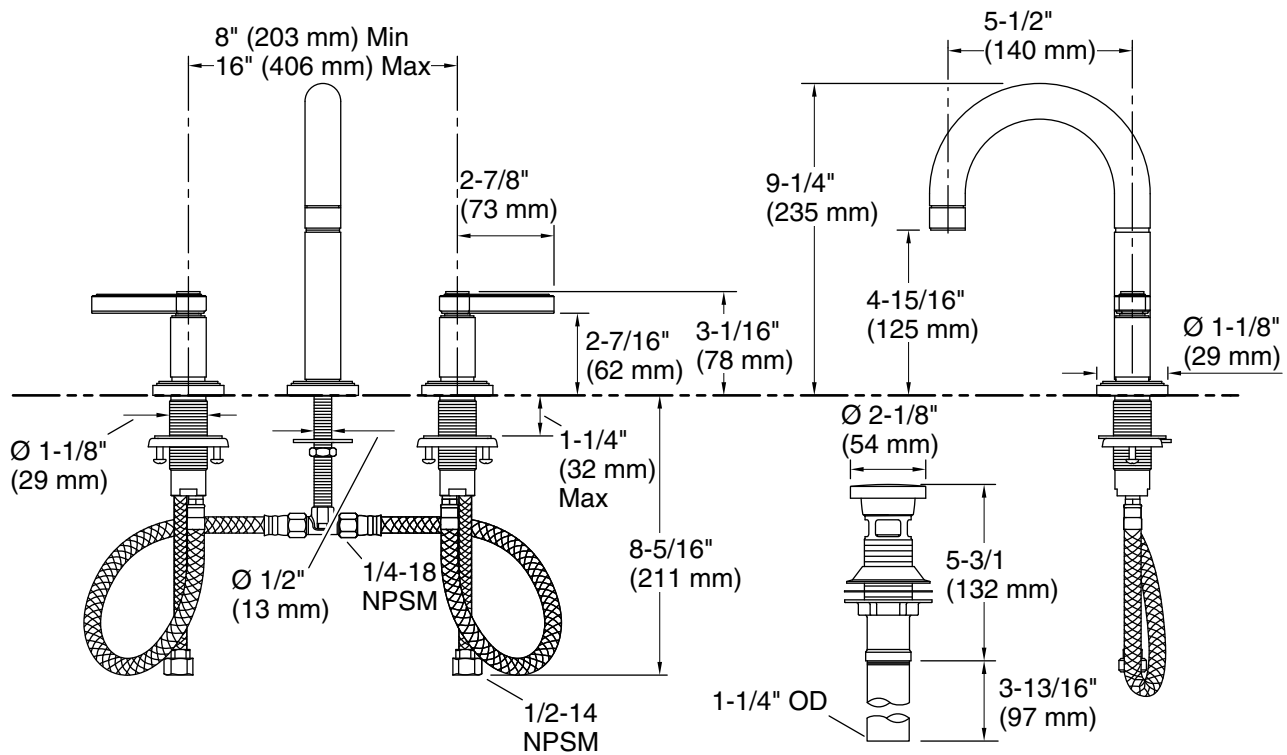
Kallista reserves the right to make revisions without notice to product specifications.

For the most current Specification Sheet, go to [www.kallista.com](http://www.kallista.com).

8-7-2024 22:50 - US/CA

# KALLISTA

Vir Stil® Minimal by Laura Kirar  
Sink faucet, arch spout, lever handles  
P80249-LV



## Technical Information

All product dimensions are nominal.

### Faucet:

Flow rate: 1.2 gal/min (4.5 l/min)

Drain included: Yes

Drain with overflow: Yes

### Spout:

Spout reach: 5-1/2" (140 mm)

## Notes

Install this product according to the installation guide.

ADA, OBC, CSA B651 compliant when installed to the specific requirements of these regulations.