

KALLISTA®

Vir Stil® by Laura Kirar
Transfer trim
P80242-LV

Features

- High-quality solid-brass construction for durability and reliability
- Allows for directed water flow
- Required rough-in sold separately

Required Products/Accessories

P29513-00 Transfer Valve

or

P29514-00 Transfer Valve, Eco

Adapters, Rough-in and Extension Kits

1034312.prt

Range: 2-3/4" (70 mm) -
3-7/8" (99 mm)

Recommended Products/Accessories

P80234-LV Sink faucet, arch spout, lever handles

P80240-LV Thermostatic trim

P80273-00 Freestanding Bath Faucet, Less Handshower



ADA

CSA B651

OBC

Codes/Standards

ASME A112.18.1/CSA B125.1

ADA

ICC/ANSI A117.1

CSA B651

OBC

KALLISTA® Five-Year Limited Warranty

See website for detailed warranty
information.

Available Colors/Finishes

Color tiles intended for reference only.

| Color | Code | Description |
|---|------|---------------------|
|  | CP | Polished Chrome |
|  | BN | Brushed Nickel |
|  | SN | Polished Nickel |
|  | BAF | Brushed French Gold |

1-888-4-KALLISTA (1-888-452-5547)

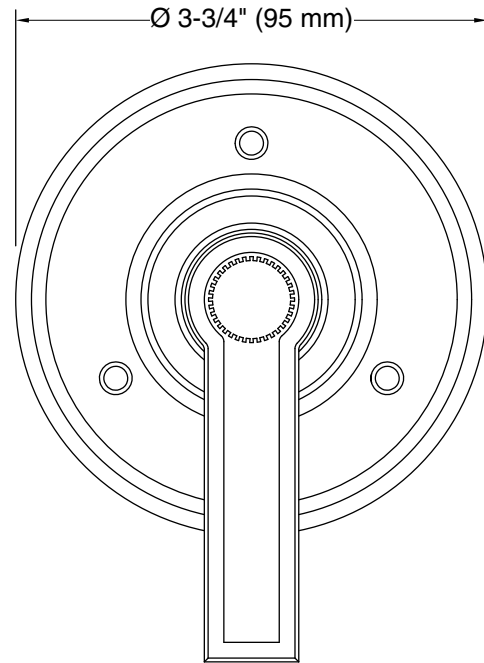
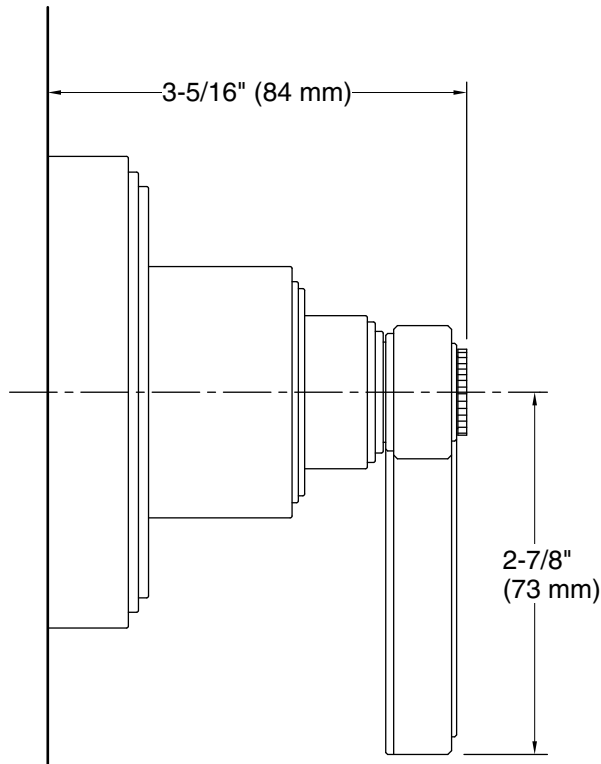
Kallista reserves the right to make revisions without notice to product specifications.

For the most current Specification Sheet, go to www.kallista.com.

8-11-2024 00:07 - US/CA

KALLISTA®

Vir Stil® by Laura Kirar
Transfer trim
P80242-LV



Technical Information

All product dimensions are nominal.

Drain included: No

Notes

Install this product according to the installation guide.

ADA, OBC, CSA B651 compliant when installed to the specific requirements of these regulations.