

Features

- High-quality solid metal construction for durability and reliability

Installation

- Includes hex wrench for installation

Recommended Products/Accessories

- P34120-LV Widespread Sink Faucet, Tall Spout, Lever Handles
- P34136-00 Towel Bar, 18"
- P34137-00 Towel Bar, 24"
- P34139-00 002™ Hook
- P34141-00 Toilet Paper Holder



Codes/Standards






None Applicable

KALLISTA® Five-Year Limited Warranty

See website for detailed warranty information.

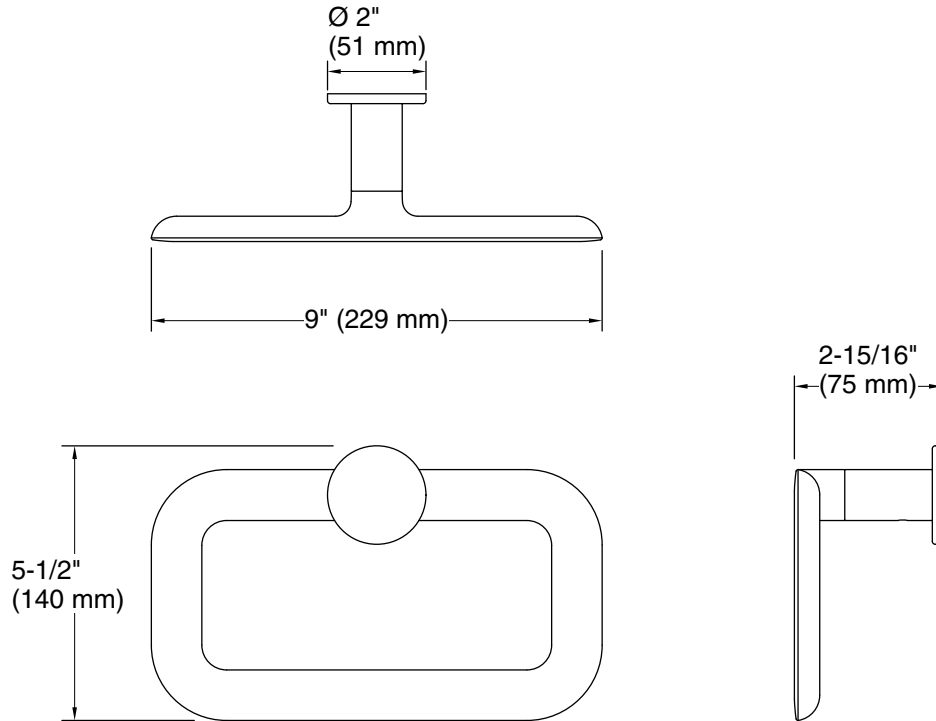
Available Colors/Finishes

Color tiles intended for reference only.

Color	Code	Description
	CP	Polished Chrome
	BL	Matte Black
	BAF	Brushed French Gold
	SN	Polished Nickel
	BN	Brushed Nickel

KALLISTA

002™ by KALLISTA
Towel Ring
P34138-00



Technical Information

All product dimensions are nominal.

Material: Brass, Zinc

Notes

Install this product according to the installation guide.