

## Features

- High-quality metal construction for durability and reliability
- Spout reach is 7-5/16" (186 mm)
- Required rough-in sold separately
- Diverter, handshower, and handshower trim sold separately
- Widespread bath faucet for 8" – 16" (203 – 406 mm) centers

## Required Products/Accessories

For deck-mount installation

P19303-00 3/4" Ceramic High-Flow Valve System

## Adapters, Rough-in and Extension Kits

P19303-00 Range: 1/2" (13 mm) - 2" (51 mm)

## Recommended Products/Accessories

P34155-LV Deck-mount Diverter, Lever Handle  
P50045-00 Large Rectangular Bathtub  
P21663-00 Handshower Trim  
P24843-00 Wand Dual-Function Handshower with Hose  
P21930-00 Drain Trim Kit  
P34137-00 Towel Bar, 24"



ADA

CSA B651

OBC

## Codes/Standards

ASME A112.18.1/CSA B125.1

ADA

ICC/ANSI A117.1

CSA B651

OBC


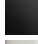

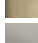

IAPMO Certification

## KALLISTA® Five-Year Limited Warranty

See website for detailed warranty information.

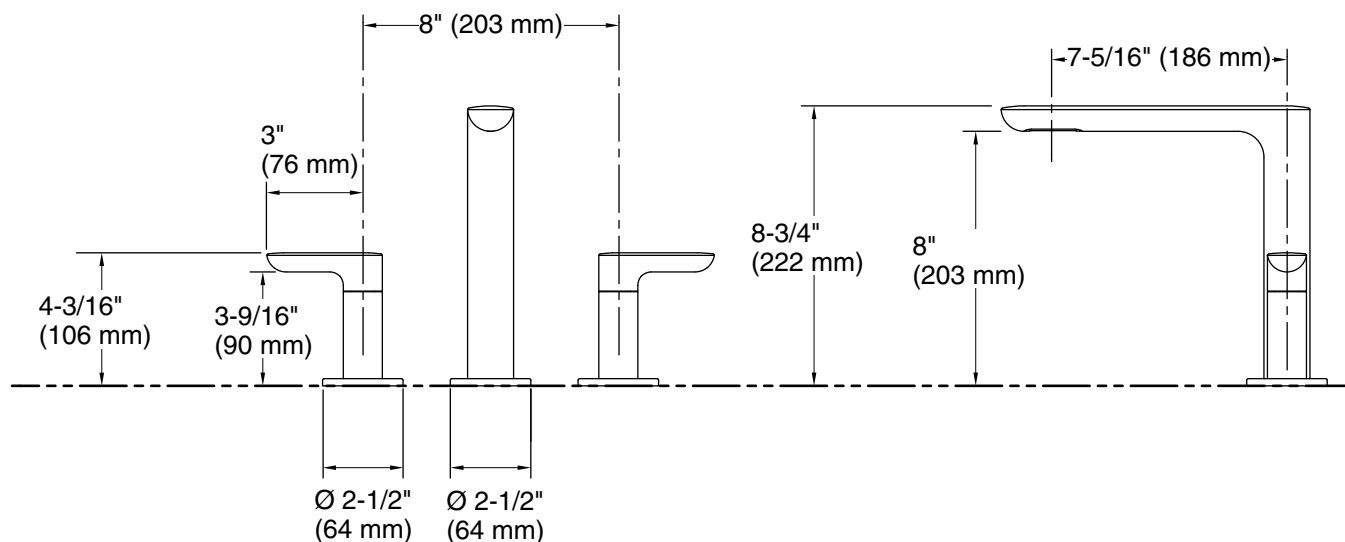
## Available Colors/Finishes

*Color tiles intended for reference only.*

Color	Code	Description
	CP	Polished Chrome
	BL	Matte Black
	SN	Polished Nickel
	BAF	Brushed French Gold
	BN	Brushed Nickel

# KALLISTA

002™ by KALLISTA  
Deck-Mount Bath Faucet, Lever Handles  
P34126-LV



## Technical Information

All product dimensions are nominal.

### Faucet:

Flow rate: 7 gal/min (26.5 l/min)

Drain included: No

### Spout:

Spout reach: 7-5/16" (186 mm)

## Notes

Install this product according to the installation guide.

ADA, OBC, CSA B651 compliant when installed to the specific requirements of these regulations.

1-888-4-KALLISTA (1-888-452-5547)

Kallista reserves the right to make revisions without notice to product specifications.

For the most current Specification Sheet, go to [www.kallista.com](http://www.kallista.com).

8-3-2024 00:32 - US/CA