

# KALLISTA®

## 002™ by KALLISTA Widespread Sink Faucet, Low Spout, White Carrara Cross Handles P32704-WC

### Features

- High-quality metal construction for durability and reliability
- Widespread sink faucet for 8" – 16" (203 – 406 mm) centers
- 3-7/8" (98 mm) spout height
- Spout reach is 5-5/16" (135 mm)
- 1.2 gpm (4.5 lpm) maximum flow rate
- Includes drain and lift rod
- Laminar flow

### Recommended Products/Accessories

- P74234-WO Under-mount Sink, Soft Rectangle with Overflow, Glazed
- P34136-00 Towel Bar, 18"
- P34137-00 Towel Bar, 24"
- P34138-00 Towel Ring
- P34139-00 002™ Hook
- P34141-00 Toilet Paper Holder



**ADA** **CSA B651** **OBC**

### Codes/Standards






ASME A112.18.1/CSA B125.1  
NSF/ANSI/CAN 61  
NSF/ANSI/CAN 372  
All applicable US Federal and State material regulations  
DOE - Energy Policy Act 1992  
EPA WaterSense®  
California Energy Commission (CEC)  
ADA  
ICC/ANSI A117.1  
CSA B651  
OBC

### KALLISTA® Five-Year Limited Warranty

See website for detailed warranty information.

### Available Colors/Finishes

*Color tiles intended for reference only.*

Color	Code	Description
	CP	Polished Chrome
	BL	Matte Black
	BN	Brushed Nickel
	BAF	Brushed French Gold
	SN	Polished Nickel

1-888-4-KALLISTA (1-888-452-5547)

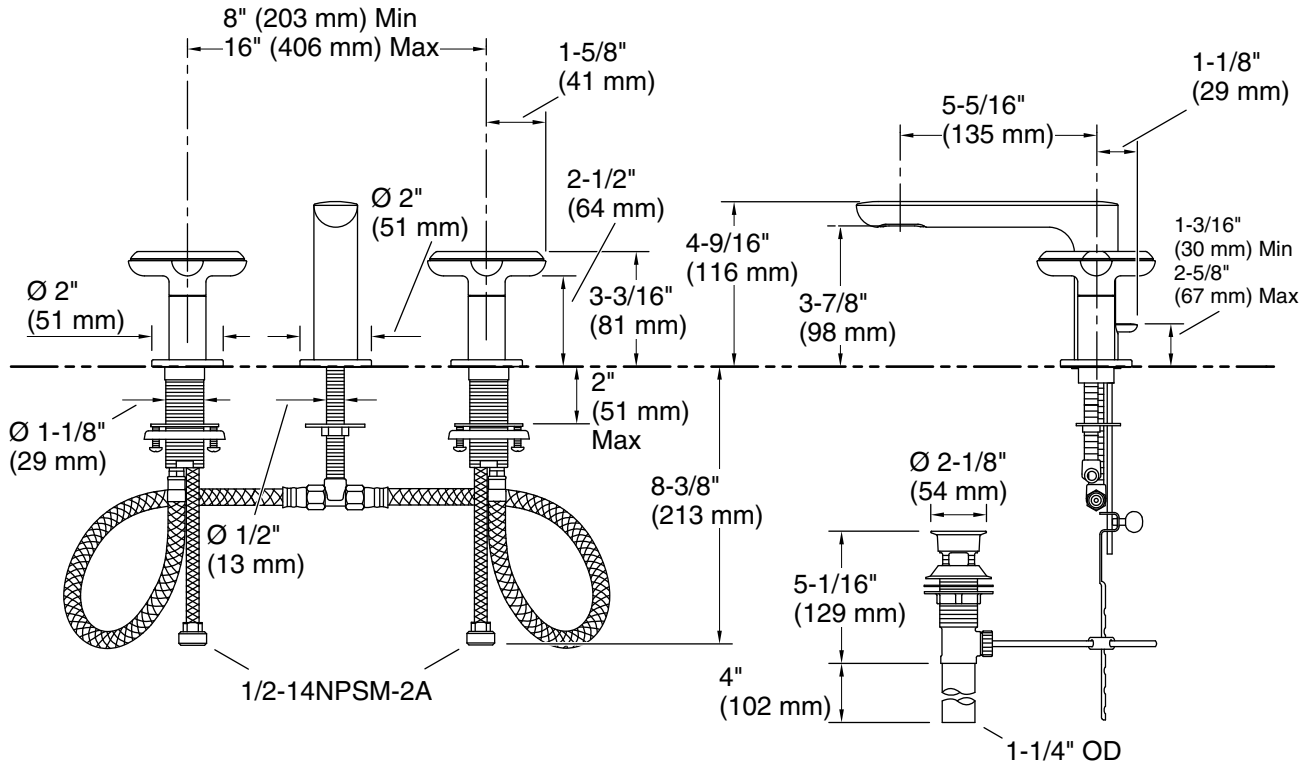
Kallista reserves the right to make revisions without notice to product specifications.

For the most current Specification Sheet, go to [www.kallista.com](http://www.kallista.com).

7-29-2024 20:21 - US/CA

# KALLISTA

002™ by KALLISTA  
 Widespread Sink Faucet, Low Spout, White  
 Carrara Cross Handles  
 P32704-WC



## Technical Information

All product dimensions are nominal.

### Faucet:

Flow rate: 1.2 gal/min (4.5 l/min)

Drain included: Yes

Drain with overflow: Yes

### Spout:

Spout reach: 2-3/8" (136 mm)

## Notes

Install this product according to the installation guide.

ADA, OBC, CSA B651 compliant when installed to the specific requirements of these regulations.

1-888-4-KALLISTA (1-888-452-5547)

Kallista reserves the right to make revisions without notice to product specifications.

For the most current Specification Sheet, go to [www.kallista.com](http://www.kallista.com).

7-29-2024 20:21 - US/CA