

KALLISTA®

002™ by KALLISTA Wall Mount Single Control Sink Faucet, Lever Handle P34124-00

Features

- Single-handle control
- High-quality metal construction for durability and reliability
- Spout reach is 7-3/16" (183 mm)
- Includes soft-touch drain
- 1.2 gpm (4.5 lpm) maximum flow rate

Required Products/Accessories

For wall-mount installation

P41299-00 Ceramic valve for wall-mount single-control sink faucet

Recommended Products/Accessories

P34136-00 Towel Bar, 18"

P34137-00 Towel Bar, 24"

P34138-00 Towel Ring

P34139-00 002™ Hook

P34141-00 Toilet Paper Holder



ADA **CSA B651** **OBC**

Codes/Standards

ASME A112.18.1/CSA B125.1

NSF/ANSI/CAN 61

NSF/ANSI/CAN 372

All applicable US Federal and State material regulations

DOE - Energy Policy Act 1992

EPA WaterSense®

California Energy Commission (CEC)

ADA

ICC/ANSI A117.1

CSA B651






OBC

KALLISTA® Five-Year Limited Warranty

See website for detailed warranty information.

Available Colors/Finishes

Color tiles intended for reference only.

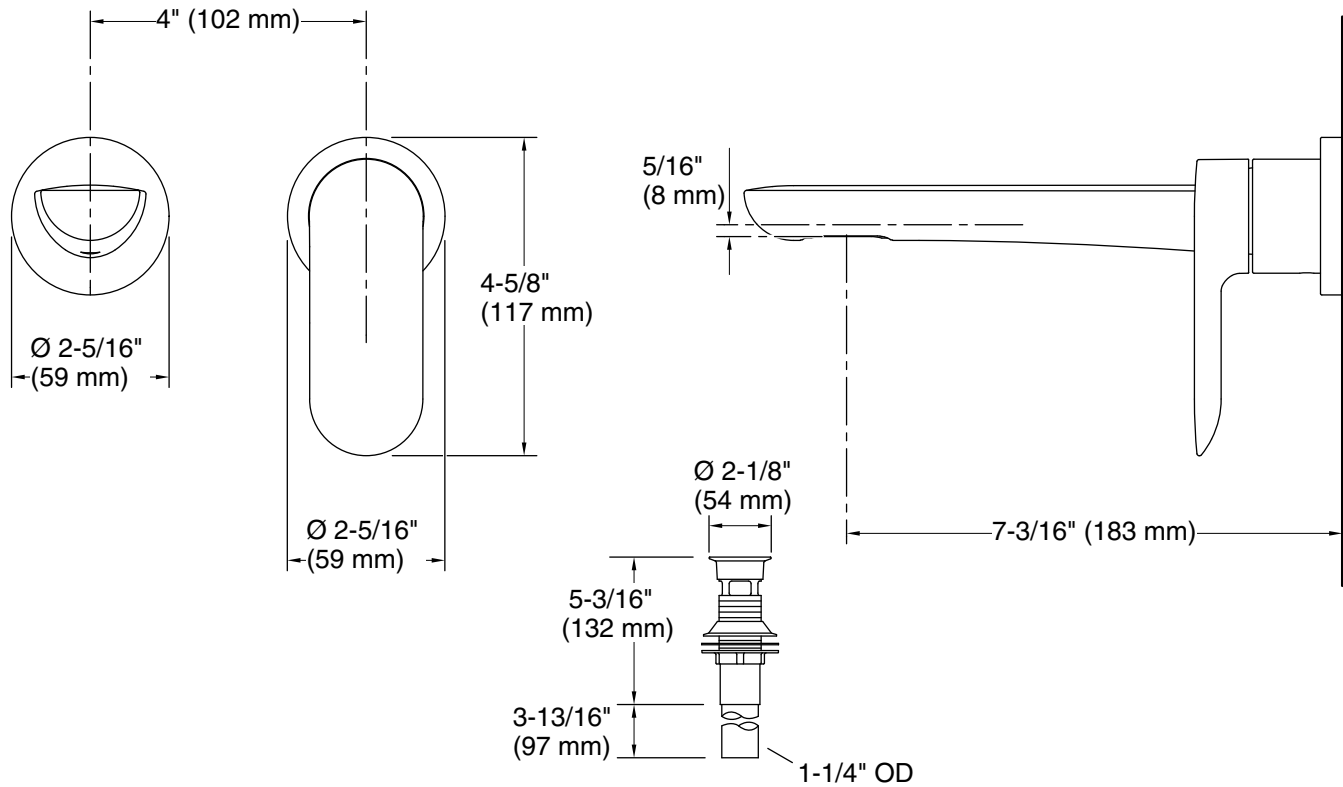
| Color | Code | Description |
|---|------|---------------------|
|  | CP | Polished Chrome |
|  | BL | Matte Black |
|  | SN | Polished Nickel |
|  | BAF | Brushed French Gold |
|  | BN | Brushed Nickel |

1-888-4-KALLISTA (1-888-452-5547)

Kallista reserves the right to make revisions without notice to product specifications.

For the most current Specification Sheet, go to www.kallista.com.

8-3-2024 00:50 - US/CA



Technical Information

All product dimensions are nominal.

Faucet:

Flow rate: 1.2 gal/min (4.5 l/min)

Drain included: Yes

Drain with overflow: Yes

Spout:

Spout reach: $7\text{-}3/16\text{''}$ (183 mm)

Notes

Install this product according to the installation guide.

ADA, OBC, CSA B651 compliant when installed to the specific requirements of these regulations.