

Features

- High-quality metal construction for durability and reliability
- Precise temperature setting capability
- Patented K-joint installation ensures consistent trim appearance
- Required rough-in sold separately

Required Products/Accessories

P29512-WS 3/4" Thermostatic Mixing Valve

or

P29511-WS 1/2" Thermostatic Mixing Valve

Recommended Products/Accessories

P32710-WC 002™ Volume Control Trim, White Carrara

P32709-WC 002™ Transfer Trim, White Carrara

P34135-00 Round Contemporary Showerhead with Arm

P21513-00 Air-Induction Large Contemporary Rain Showerhead

P34137-00 Towel Bar, 24"



ADA **CSA B651** **OBC**

Codes/Standards

ASME A112.18.1/CSA B125.1

ADA

ICC/ANSI A117.1

CSA B651

OBC





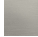
IAPMO Certification

KALLISTA® Five-Year Limited Warranty

See website for detailed warranty information.

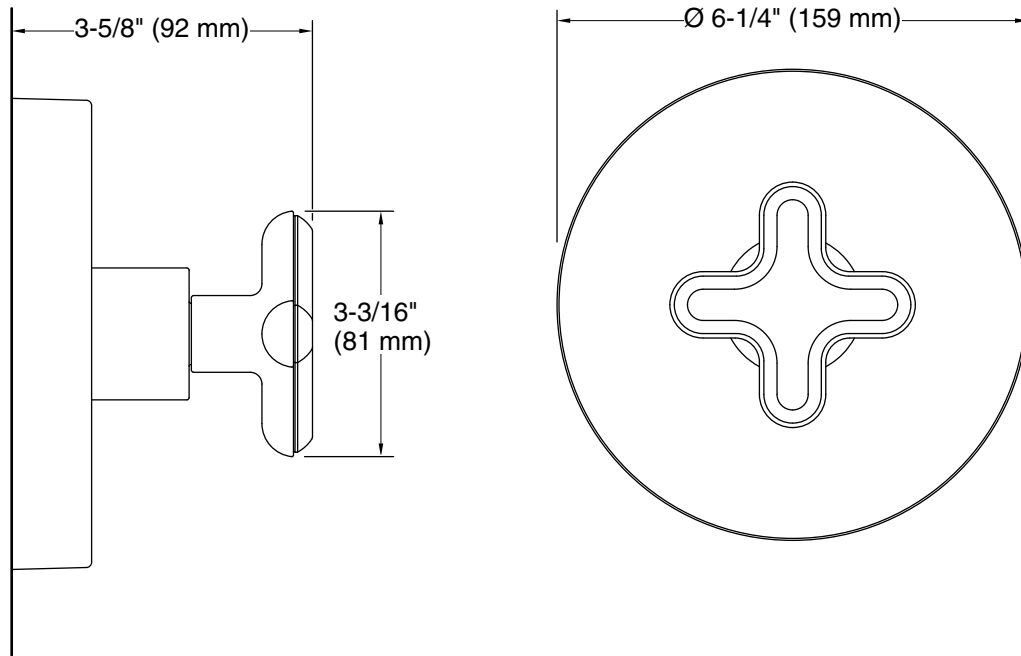
Available Colors/Finishes

Color tiles intended for reference only.

Color	Code	Description
	CP	Polished Chrome
	BL	Matte Black
	BAF	Brushed French Gold
	SN	Polished Nickel
	BN	Brushed Nickel

KALLISTA

002™ by KALLISTA
Thermostatic Trim, White Carrara Cross Handle
P32708-WC



Technical Information

All product dimensions are nominal.

Notes

Install this product according to the installation guide.

ADA, OBC, CSA B651 compliant when installed to the specific requirements of these regulations.