

KALLISTA®

Per Se® by KALLISTA

Towel ring

P24669-00

Features

- High-quality solid-brass construction for durability and reliability
- Includes hex wrench for installation

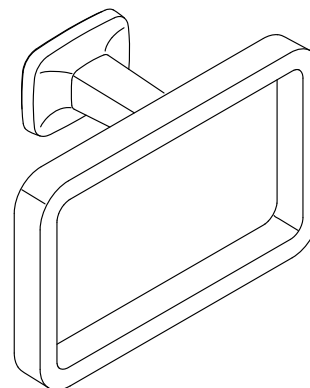
Recommended Products/Accessories

P24906-LV Sink Faucet, Low Spout, Lever Handles

P72040-WO Under-mount Sink with Overflow

P24911-LV Wall-Mount Sink Faucet, Lever Handles

P74226-00



Codes/Standards

None Applicable

KALLISTA® Five-Year Limited Warranty

See website for detailed warranty information.

Available Colors/Finishes

Color tiles intended for reference only.

Color	Code	Description
-------	------	-------------

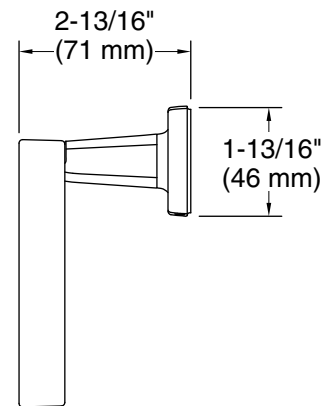
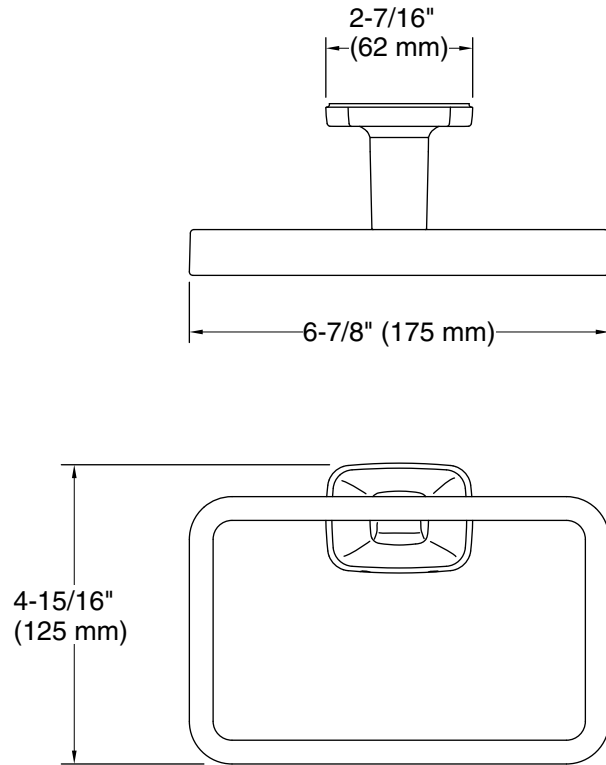
	BN	
--	----	--

KALLISTA®

Per Se® by KALLISTA

Towel ring

P24669-00



Technical Information

All product dimensions are nominal.

Material: Zinc