

FEATURES

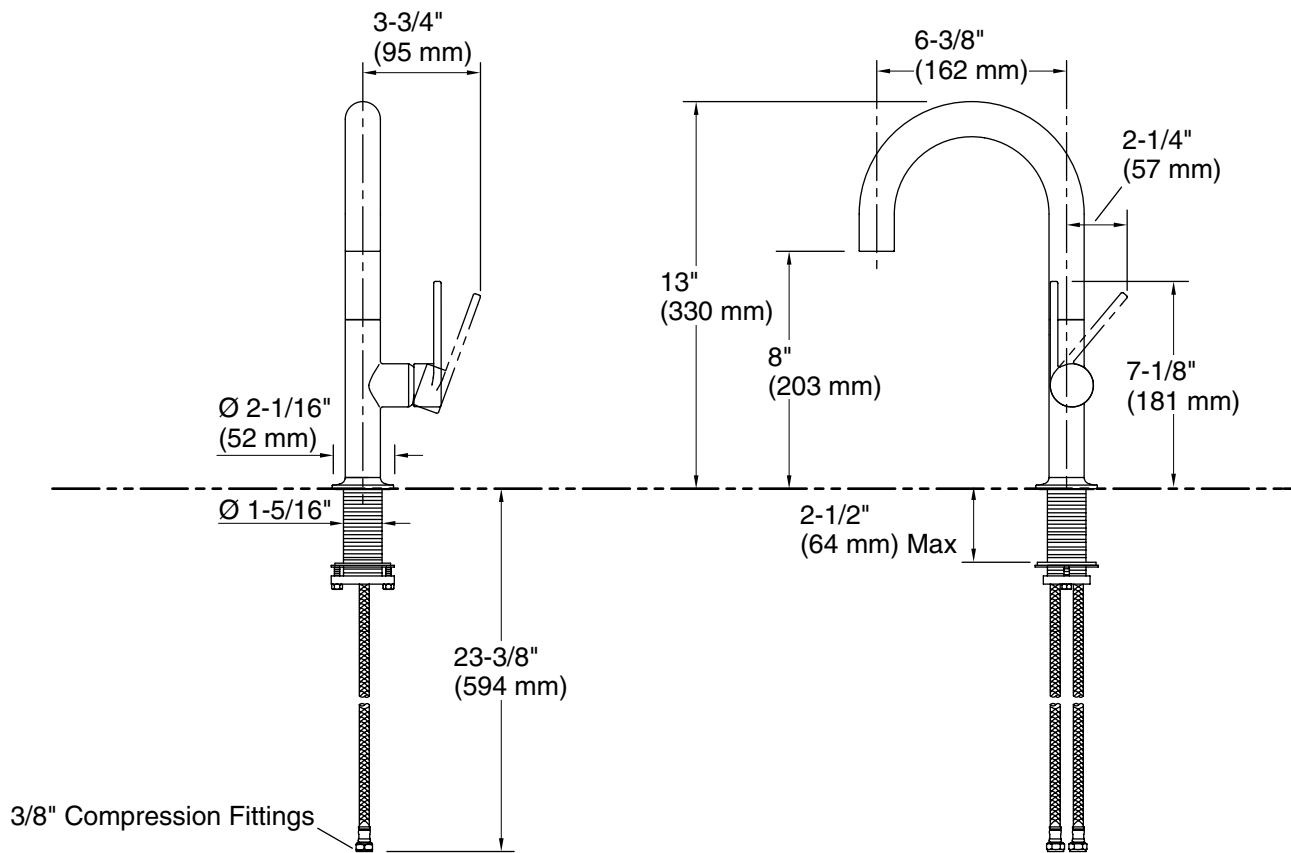
- Solid metal construction for durability and reliability
- 1.5 gal/min (5.7 l/min) flow rate
- Single-hole mounting
- 100° swivel spout
- Complements the Juxtapose kitchen faucet collection

CODES/STANDARDS APPLICABLE

- Specified model meets or exceeds the following:
- ASME A112.18.1/CSA B125.1
 - NSF/ANSI 61
 - NSF/ANSI 372
 - CSA B651
 - ADA
 - ICC/ANSI A117.1
 - DOE - Energy Policy Act 1992
 - California Energy Commission (CEC)
 - All applicable US Federal and State material regulations

P23175

ADA	CSA B651
-----	----------



SPECIFIED MODEL

Model	Description	Finishes	
P23175-LV	Juxtapose Bar Faucet	<input type="checkbox"/> CP Polished Chrome	<input type="checkbox"/> BL Matte Black
P23175-SN	Juxtapose Bar Faucet w/ Polished Nickel Accents	<input type="checkbox"/> VS Stainless	
P23175-2MB	Juxtapose Bar Faucet w/ Brushed Brass Accents	<input type="checkbox"/> BL Matte Black	

We reserve the right to make revisions without notice in the design of products or in packaging unless this right has specifically been waived at the time the order is accepted.