

KALLISTA®

For Town by KALLISTA
Transfer Trim, Cross Handle
P22784-CR

Features

- High-quality solid-brass construction for durability and reliability
- Required rough-in sold separately
- Allows for directed water flow

Required Products/Accessories

P29513-00 Transfer Valve

or

P29514-00 Transfer Valve, Eco

Recommended Products/Accessories

P22715-XX Pressure Balance Trim, Cross Handle

P22727-00 Bath Spout

P21540-00 Air-Induction Rain Showerhead



ADA

CSA B651

Codes/Standards

ASME A112.18.1/CSA B125.1

ADA

ICC/ANSI A117.1

CSA B651

KALLISTA® Five-Year Limited Warranty

See website for detailed warranty
information.

Available Colors/Finishes

Color tiles intended for reference only.

Color	Code	Description
-------	------	-------------



AD Nickel Silver



CP Polished Chrome

1-888-4-KALLISTA (1-888-452-5547)

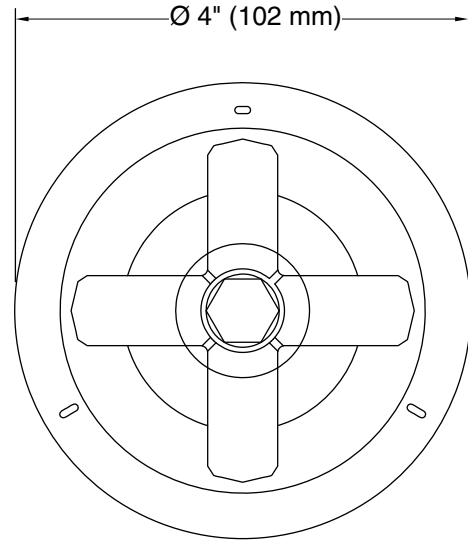
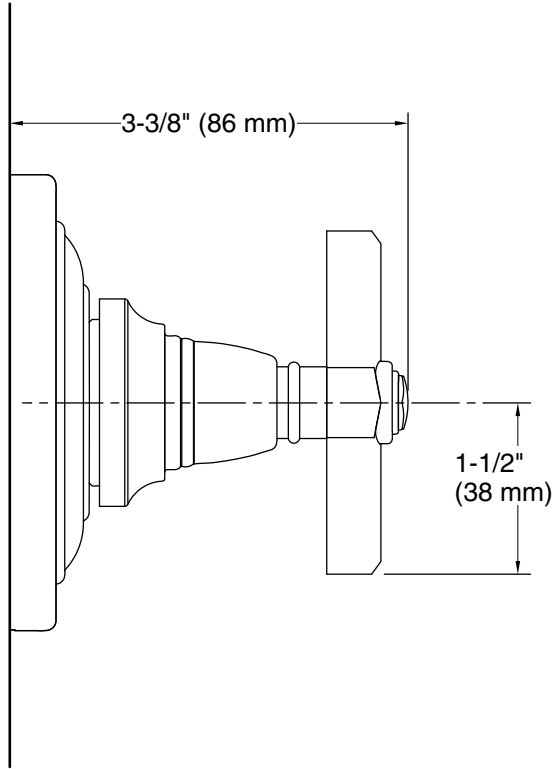
Kallista reserves the right to make revisions without notice to product specifications.

For the most current Specification Sheet, go to www.kallista.com.

5-27-2026 20:56 - US

KALLISTA

For Town by KALLISTA
Transfer Trim, Cross Handle
P22784-CR



Technical Information

All product dimensions are nominal.

Notes

ADA, CSA B651 compliant when installed to the specific requirements of these regulations.