

KALLISTA®

One™ Showerhead with Arm

FEATURES

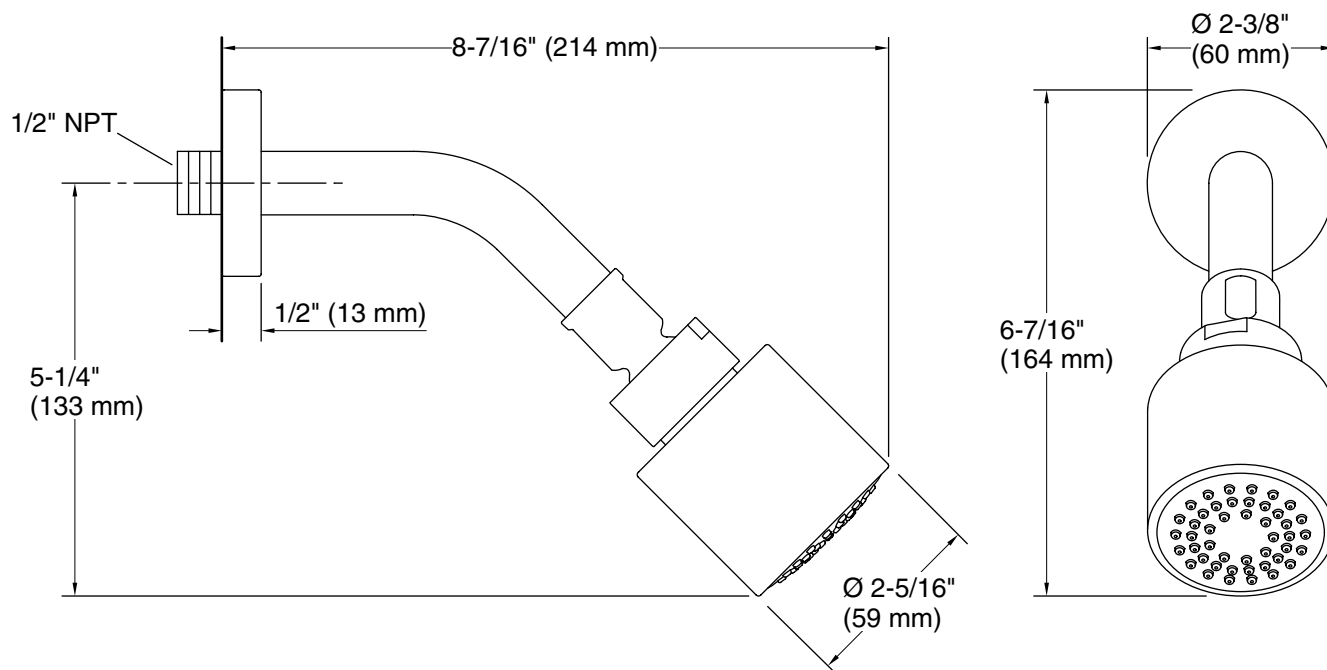
- Brass construction for durability and reliability
- 1.75 gal/min (6.6 l/min) flow rate
- Sprayface resists hard water buildup and is easy to clean.
- Complements the One collection

CODES/STANDARDS APPLICABLE

Specified model meets or exceeds the following:

- ASME A112.18.1/CSA B125.1
- IAPMO/cUPC
- EPA WaterSense®

P24482



SPECIFIED MODEL

Model	Description	Finishes		
P24482-00	One Showerhead with Arm	<input type="checkbox"/> CP Polished Chrome	<input type="checkbox"/> AD Nickel Silver	<input type="checkbox"/> AG Brushed Nickel
		<input type="checkbox"/> GN Gunmetal	<input type="checkbox"/> ULB Unlacquered Brass	* <input type="checkbox"/> BL Matte Black

* BL Matte Black available Winter 2019

We reserve the right to make revisions without notice in the design of products or in packaging unless this right has specifically been waived at the time the order is accepted.

FEATURES

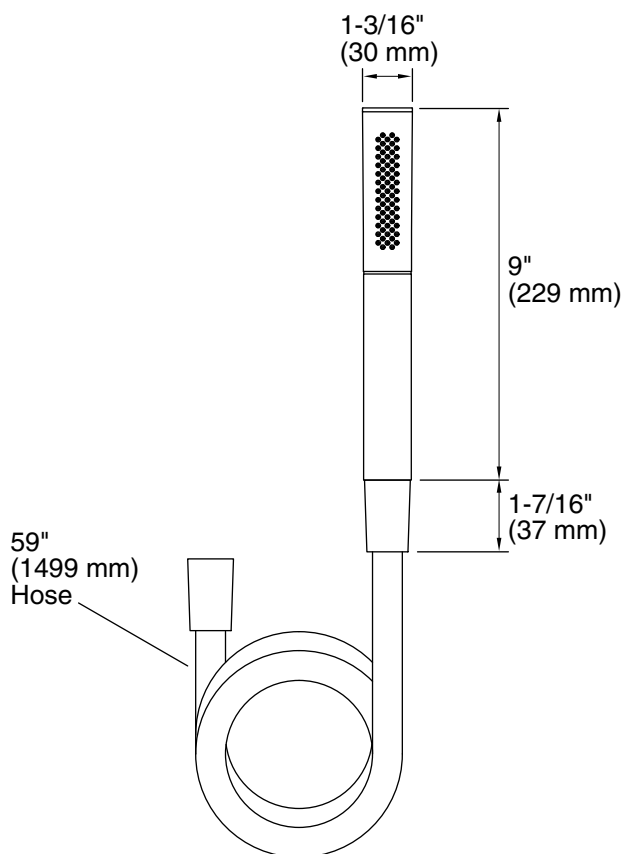
- 1.75 gal/min (6.6 l/min) flow rate
- Two spray options available (wide coverage spray, concentrated spray)
- Sprayface resists hard water buildup and is easy to clean
- 59" (1499 mm) hose included
- Complements the One collection

CODES/STANDARDS APPLICABLE

Specified model meets or exceeds the following:

- ASME A112.18.1/CSA B125.1
- EPA WaterSense® (Pending)

P24843



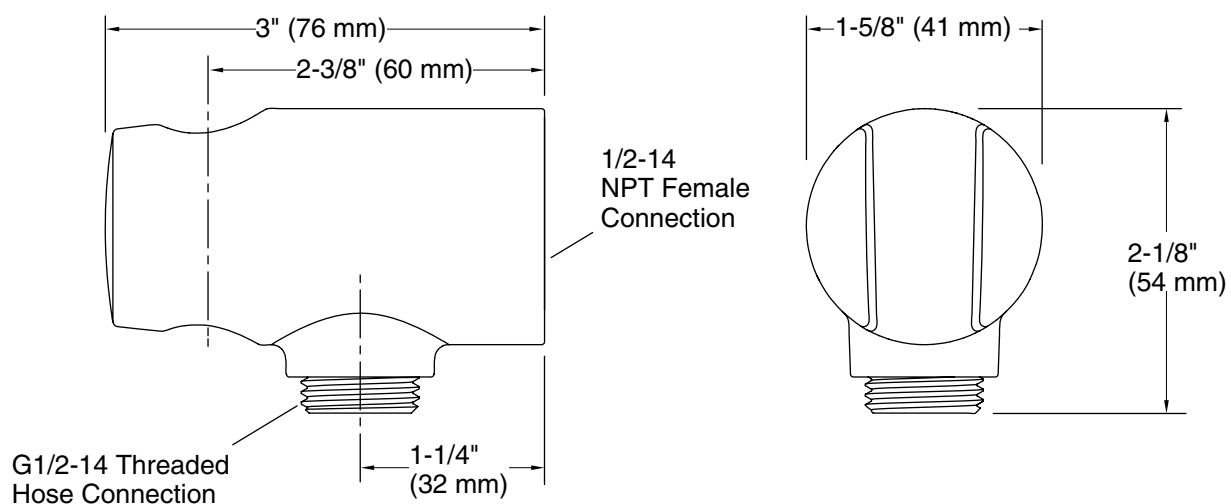
SPECIFIED MODEL						
Model	Description	Finishes				
P24843-00	One Wand Dual-Function Handshower	<input type="checkbox"/> CP Polished Chrome	<input type="checkbox"/> AD Nickel Silver	<input type="checkbox"/> AG Brushed Nickel	<input type="checkbox"/> GN Gunmetal	<input type="checkbox"/> ULB Unlacquered Brass
Optional Accessories						
P21661-00	Contemporary Wall Supply Elbow	<input type="checkbox"/> CP Polished Chrome	<input type="checkbox"/> AD Nickel Silver	<input type="checkbox"/> AG Brushed Nickel	<input type="checkbox"/> GN Gunmetal	<input type="checkbox"/> ULB Unlacquered Brass
P21663-00	Contemporary Deck-Mount Handshower Mounting Trim	<input type="checkbox"/> CP Polished Chrome	<input type="checkbox"/> AD Nickel Silver	<input type="checkbox"/> AG Brushed Nickel	<input type="checkbox"/> GN Gunmetal	<input type="checkbox"/> ULB Unlacquered Brass
P24453-00	Contemporary Fixed Wall Bracket	<input type="checkbox"/> CP Polished Chrome	<input type="checkbox"/> AD Nickel Silver	<input type="checkbox"/> AG Brushed Nickel	<input type="checkbox"/> GN Gunmetal	<input type="checkbox"/> ULB Unlacquered Brass
P24456-00	Contemporary Slidebar	<input type="checkbox"/> CP Polished Chrome	<input type="checkbox"/> AD Nickel Silver	<input type="checkbox"/> AG Brushed Nickel	<input type="checkbox"/> GN Gunmetal	

We reserve the right to make revisions without notice in the design of products or in packaging unless this right has specifically been waived at the time the order is accepted.

FEATURES

P21652

- Solid metal construction for durability and reliability
- Integrated supply and holder
- Clean look with reduced number of components needed in the shower space
- Complements Contemporary Kallista faucets and fixtures



P21652

SPECIFIED MODEL			
Model	Description	Finishes	
P21652-00	Contemporary Wall Bracket with Integrated Supply Elbow	<input type="checkbox"/> CP Polished Chrome	<input type="checkbox"/> AD Nickel Silver
		<input type="checkbox"/> BZ Antique Bronze	<input type="checkbox"/> GN Gunmetal
		<input type="checkbox"/> LB Bronze	<input type="checkbox"/> W7 Black Nickel

We reserve the right to make revisions without notice in the design of products or in packaging unless this right has specifically been waived at the time the order is accepted.

KALLISTA®

One™ Thermostatic Valve Trim

FEATURES

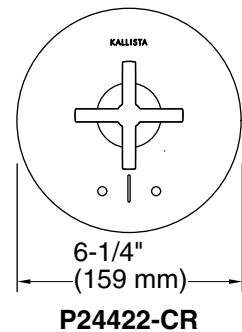
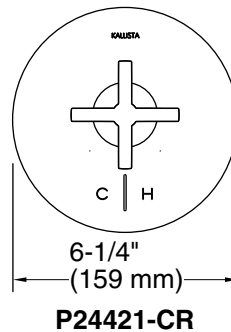
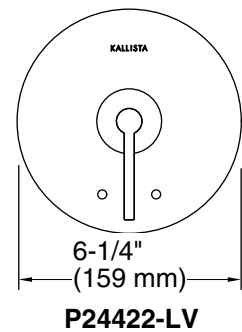
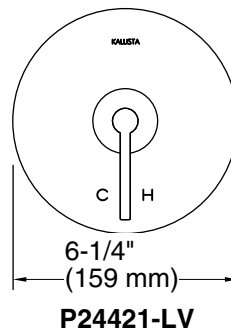
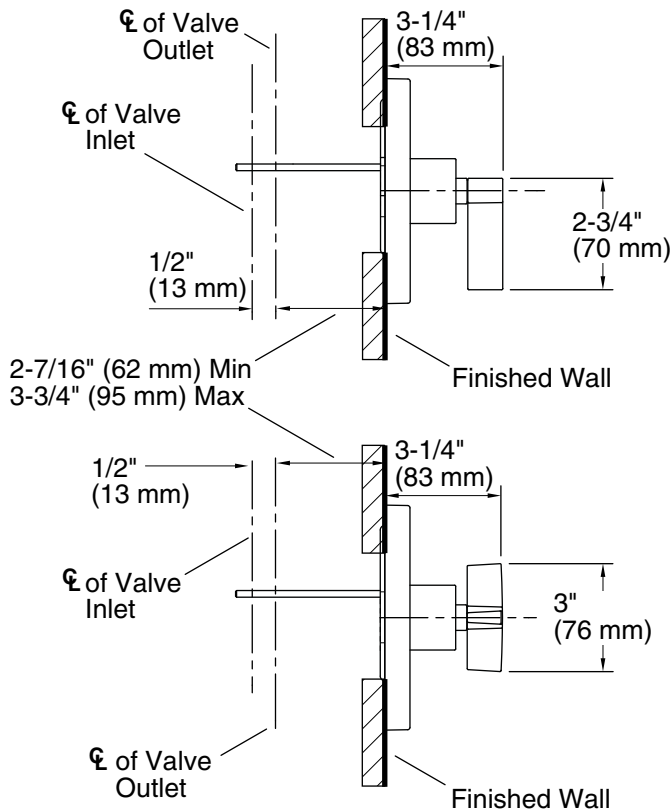
- Solid brass construction for durability and reliability
- Allows the bather to set precise temperature
- Patented K-joint installation ensures consistent trim appearance, regardless of variability in valve rough-in
- Complements the One Collection

CODES/STANDARDS APPLICABLE

- Specified model meets or exceeds the following:
- ASME A112.18.1/CSA B125.1
 - ADA
 - ICC/ANSI A117.1

P24421,
P24422

ADA



SPECIFIED MODEL

Model	Description	Finishes				
P24421-CR	One Thermostatic Valve Trim, H&C, Cross Handles	<input type="checkbox"/> CP Polished Chrome	<input type="checkbox"/> AD Nickel Silver	<input type="checkbox"/> AG Brushed Nickel	<input type="checkbox"/> GN Gunmetal	<input type="checkbox"/> ULB Unlacquered Brass
P24421-LV	One Thermostatic Valve Trim, H&C, Lever Handles	<input type="checkbox"/> CP Polished Chrome	<input type="checkbox"/> AD Nickel Silver	<input type="checkbox"/> AG Brushed Nickel	<input type="checkbox"/> GN Gunmetal	<input type="checkbox"/> ULB Unlacquered Brass
P24422-CR	One Thermostatic Valve Trim, Red & Blue Indicators, Cross Handles	<input type="checkbox"/> CP Polished Chrome	<input type="checkbox"/> AD Nickel Silver	<input type="checkbox"/> AG Brushed Nickel	<input type="checkbox"/> GN Gunmetal	
P24422-LV	One Thermostatic Valve Trim, Red & Blue Indicators, Lever handles	<input type="checkbox"/> CP Polished Chrome	<input type="checkbox"/> AD Nickel Silver	<input type="checkbox"/> AG Brushed Nickel	<input type="checkbox"/> GN Gunmetal	
Required Rough-In						
P29511-WS	1/2" Thermostatic Mixing Valve	<input type="checkbox"/> NA				
P29512-WS	3/4" Thermostatic Mixing Valve	<input type="checkbox"/> NA				

We reserve the right to make revisions without notice in the design of products or in packaging unless this right has specifically been waived at the time the order is accepted.

FEATURES

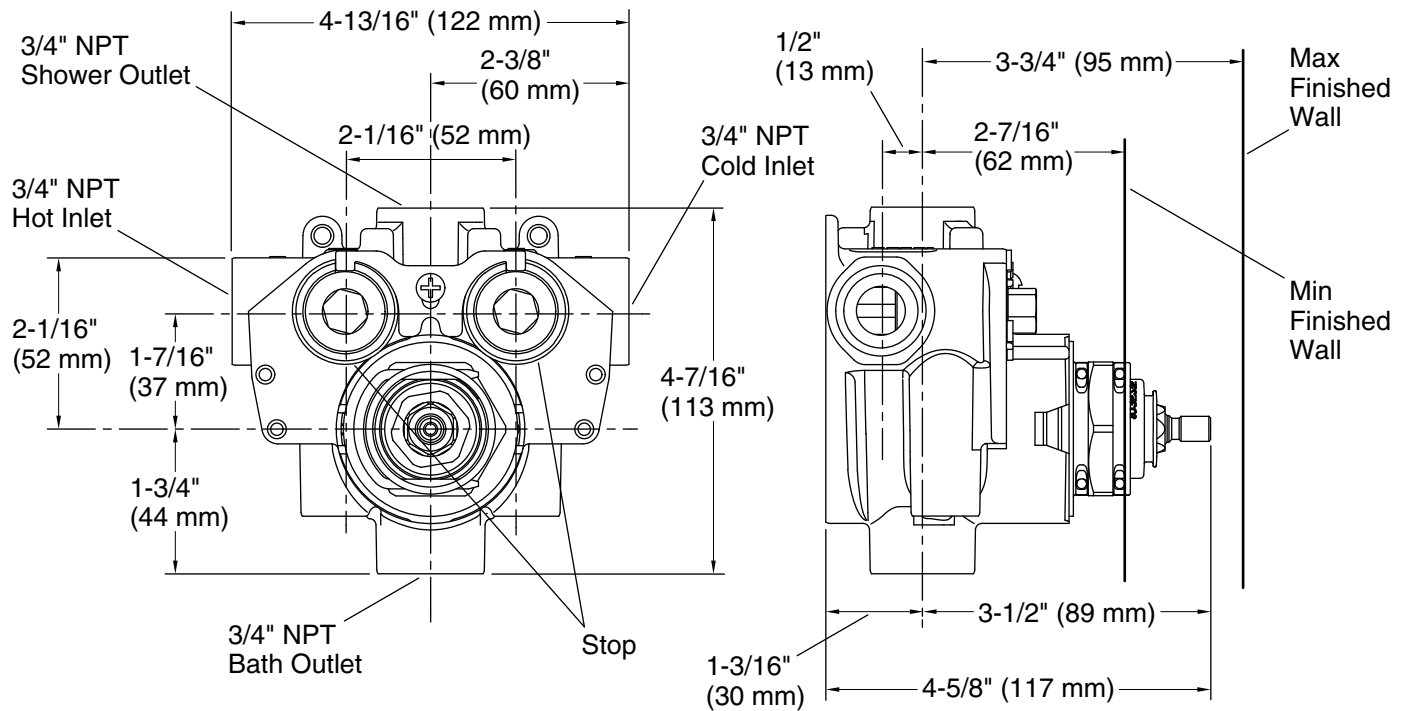
- Forged brass valve body
- Single-handle temperature control
- High-temperature limit setting for added safety
- Temperature-balancing mechanism
- Scald hazard prevention
- Integral stops
- Crossflow prevention
- 3/4" NPT connections
- Filter screens
- Dual outlet (bath - bottom, shower - top)
- Less volume control

CODES/STANDARDS APPLICABLE

Specified model meets or exceeds the following:

- ASSE 1016
- ASME A112.18.1/CSA B125.1

P29512



INSTALLATION NOTES

The thermostatic valve requires a separate volume control valve, P29527-00-NA or P29528-00-NA, for each bath and/or shower outlet.

For bath-only or shower-only installations, an NPT plug must be installed in any unused outlet.

The lower port of the thermostatic mixer is intended for use with a bath spout only. If a bath spout is not used with this product, the lower port must be plugged.

SPECIFIED MODEL

Model	Description	Finishes
P29512-WS	3/4" Thermostatic Mixer Valve	<input type="checkbox"/> NA
Required Accessories		
P29527-00	1/2" Volume Control Valve - for use on bath or shower outlets or	<input type="checkbox"/> NA
P29528-00	3/4" Volume Control Valve - for use on bath or shower outlets	<input type="checkbox"/> NA

We reserve the right to make revisions without notice in the design of products or in packaging unless this right has specifically been waived at the time the order is accepted.

FEATURES

- Solid brass construction for durability and reliability
- Volume control valve allows the user to customize their shower experience
- Complements the One collection

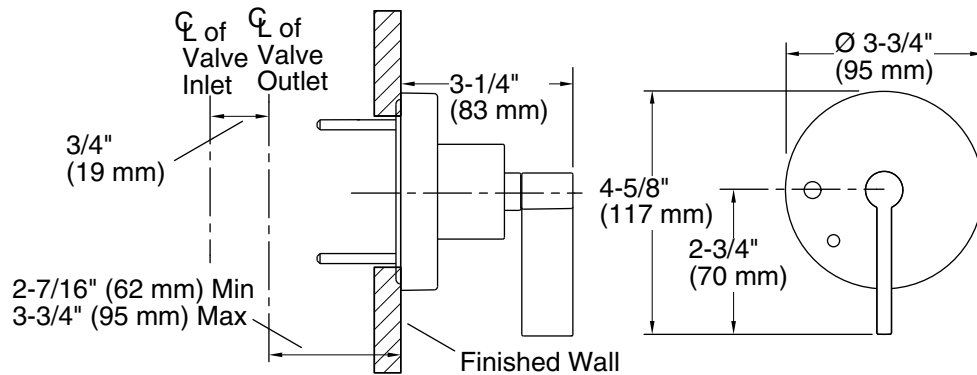
CODES/STANDARDS APPLICABLE

Specified model meets or exceeds the following:

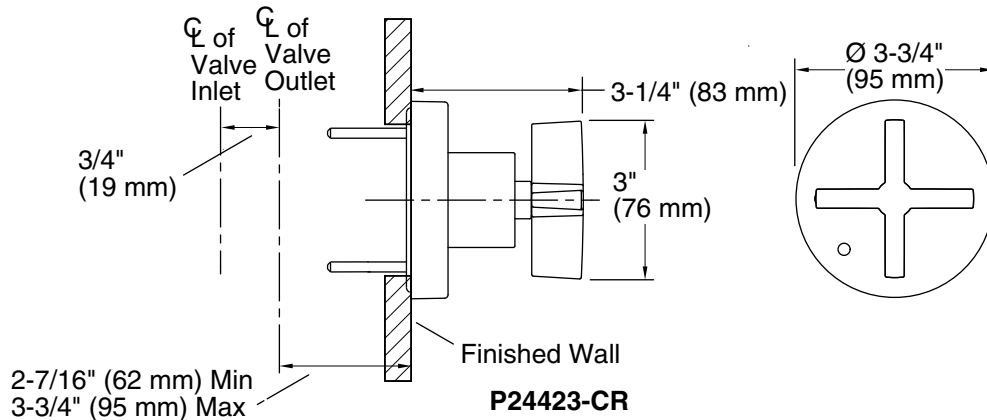
- ASME A112.18.1/CSA B125.1
- ADA
- ICC/ANSI A117.1

P24423

ADA



P24423-LV



P24423-CR

SPECIFIED MODEL

Model	Description	Finishes				
P24423-LV	One Volume Control Valve Trim, Lever Handle	<input type="checkbox"/> CP Polished Chrome	<input type="checkbox"/> AD Nickel Silver	<input type="checkbox"/> AG Brushed Nickel	<input type="checkbox"/> GN Gunmetal	<input type="checkbox"/> ULB Unlacquered Brass
P24423-CR	One Volume Control Valve Trim, Cross Handle	<input type="checkbox"/> CP Polished Chrome	<input type="checkbox"/> AD Nickel Silver	<input type="checkbox"/> AG Brushed Nickel	<input type="checkbox"/> GN Gunmetal	<input type="checkbox"/> ULB Unlacquered Brass
Required Rough-In						
P29527-00	1/2" Volume Control Valve	<input type="checkbox"/> NA				
P29528-00	3/4" Volume Control Valve	<input type="checkbox"/> NA				

We reserve the right to make revisions without notice in the design of products or in packaging unless this right has specifically been waived at the time the order is accepted.

KALLISTA®

Volume Control Valve, 1/2" Volume Control Valve, 3/4"

FEATURES

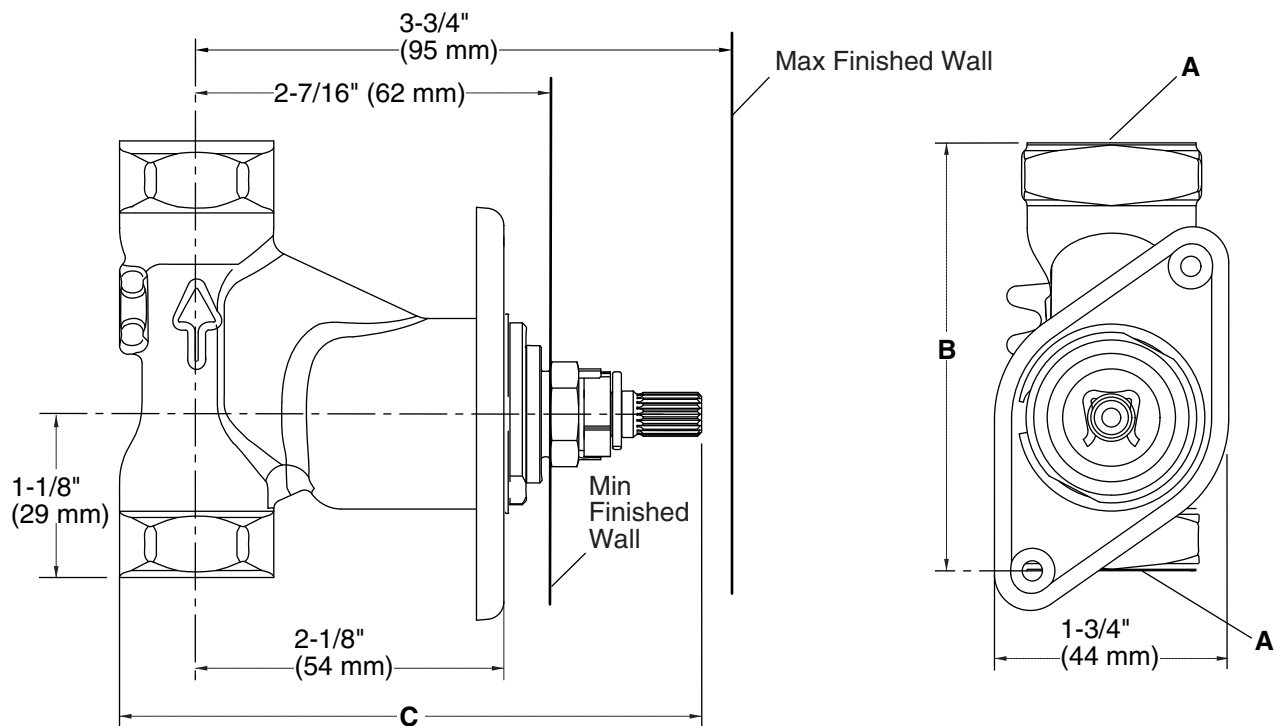
- Forged brass valve body
- Single-handle temperature control
- Quarter-turn washerless ceramic disc valves
- 1/2" or 3/4" NPT connections
- Intended for use with Kallista thermostatic mixer valving

CODES/STANDARDS APPLICABLE

Specified model meets or exceeds the following:

- ASME A112.18.1/CSA B125.1

P29527, P29528



	A	B	C	
P29527	1/2" NPT	3" (76 mm)	4" (102 mm)	INSTALLATION NOTES
P29528	3/4" NPT	3-3/16" (81 mm)	4-1/8" (105 mm)	
SPECIFIED MODEL				
Model	Description	Finishes		
P29527-00	Volume Control Valve, 1/2"	<input type="checkbox"/> NA		
P29528-00	Volume Control Valve, 3/4"	<input type="checkbox"/> NA		

We reserve the right to make revisions without notice in the design of products or in packaging unless this right has specifically been waived at the time the order is accepted.

FEATURES

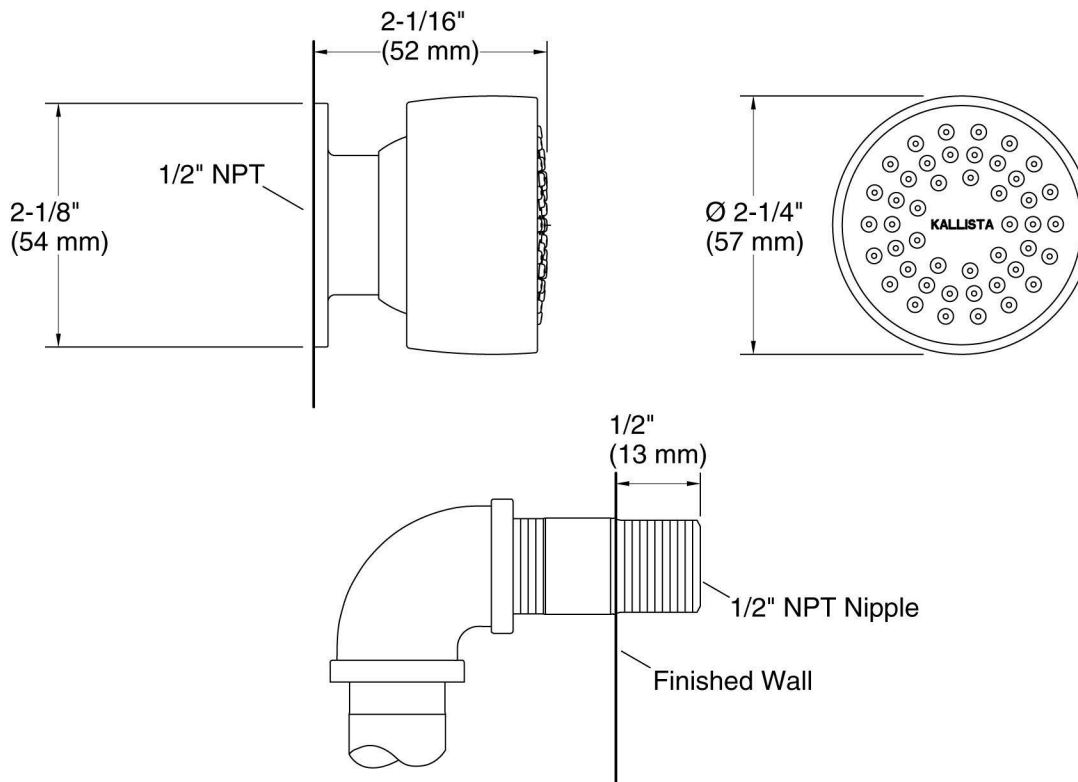
- Solid brass construction for durability and reliability
- Quarter-turn washerless ceramic disc valves
- Sprayhead pivots 25 degrees
- Features an internal volume control for complete shut-off
- No separate volume control valve and trim necessary
- Easy to clean sprayface resists mineral buildup
- 1.75 gal/min (6.6 l/min) flow rate maximum flow rate available
- Complements Kallista faucets and fixtures

CODES/STANDARDS APPLICABLE

Specified model meets or exceeds the following:

- ASME A112.18.1/CSA B125.1
- CEC Compliant (P22078-H Only)

P22078-H



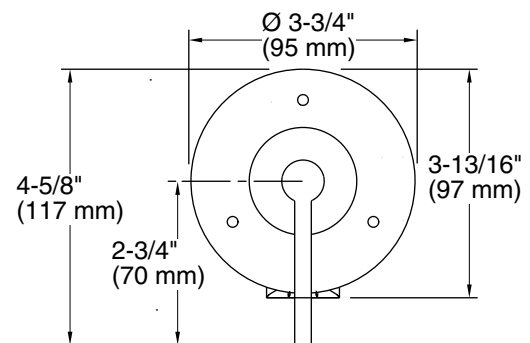
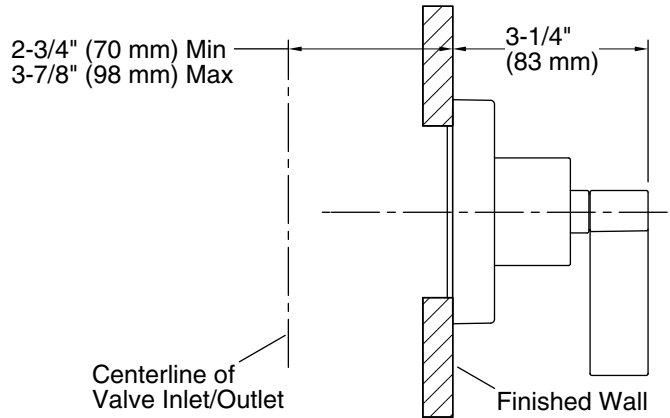
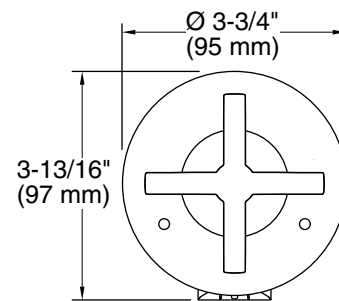
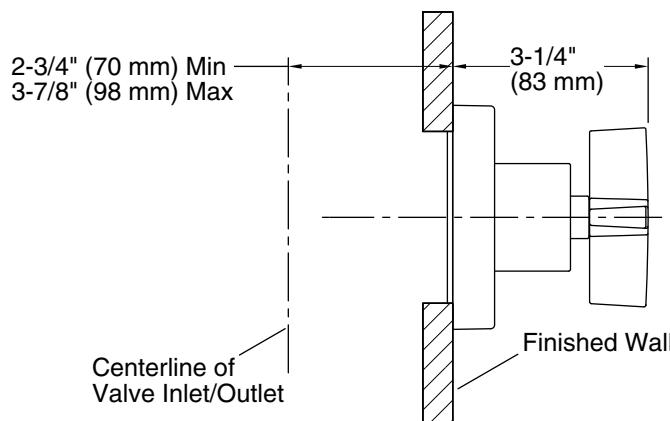
SPECIFIED MODEL				
Model	Description	Finishes		
P22078-00	TurnSpray Modern Body Spray, 2.5 gal/min (9.5 l/min)	<input type="checkbox"/> CP Polished Chrome	<input type="checkbox"/> AD Nickel Silver	<input type="checkbox"/> AG Brushed Nickel
		<input type="checkbox"/> BZ Antique Bronze	<input type="checkbox"/> GN Gunmetal	<input type="checkbox"/> LB Bronze
		<input type="checkbox"/> W7 Black Nickel	<input type="checkbox"/> YG Matte Gold	
P22078-H	TurnSpray Modern Body Spray, 1.5 gal/min (5.7 l/min)	<input type="checkbox"/> CP Polished Chrome	<input type="checkbox"/> AD Nickel Silver	<input type="checkbox"/> AG Brushed Nickel
		<input type="checkbox"/> BZ Antique Bronze	<input type="checkbox"/> GN Gunmetal	<input type="checkbox"/> LB Bronze
		<input type="checkbox"/> W7 Black Nickel	<input type="checkbox"/> YG Matte Gold	

We reserve the right to make revisions without notice in the design of products or in packaging unless this right has specifically been waived at the time the order is accepted.

FEATURES

P24483

- Solid brass construction for durability and reliability
- Wall-mount
- Complements the One collection



SPECIFIED MODEL						
Model	Description	Finishes				
P24483-CR	One 3-Way Transfer Valve Trim, Cross Handle	<input type="checkbox"/> CP Polished Chrome	<input type="checkbox"/> AD Nickel Silver	<input type="checkbox"/> AG Brushed Nickel	<input type="checkbox"/> GN Gunmetal	<input type="checkbox"/> ULB Unlacquered Brass
P24483-LV	One 3-Way Transfer Valve Trim, Lever Handle	<input type="checkbox"/> CP Polished Chrome	<input type="checkbox"/> AD Nickel Silver	<input type="checkbox"/> AG Brushed Nickel	<input type="checkbox"/> GN Gunmetal	<input type="checkbox"/> ULB Unlacquered Brass
Required Rough-In						
P29513-00	3-Way Transfer Valve	<input type="checkbox"/> NA				
P29514-00	3-Way Transfer Valve, Eco	<input type="checkbox"/> NA				

We reserve the right to make revisions without notice in the design of products or in packaging unless this right has specifically been waived at the time the order is accepted.

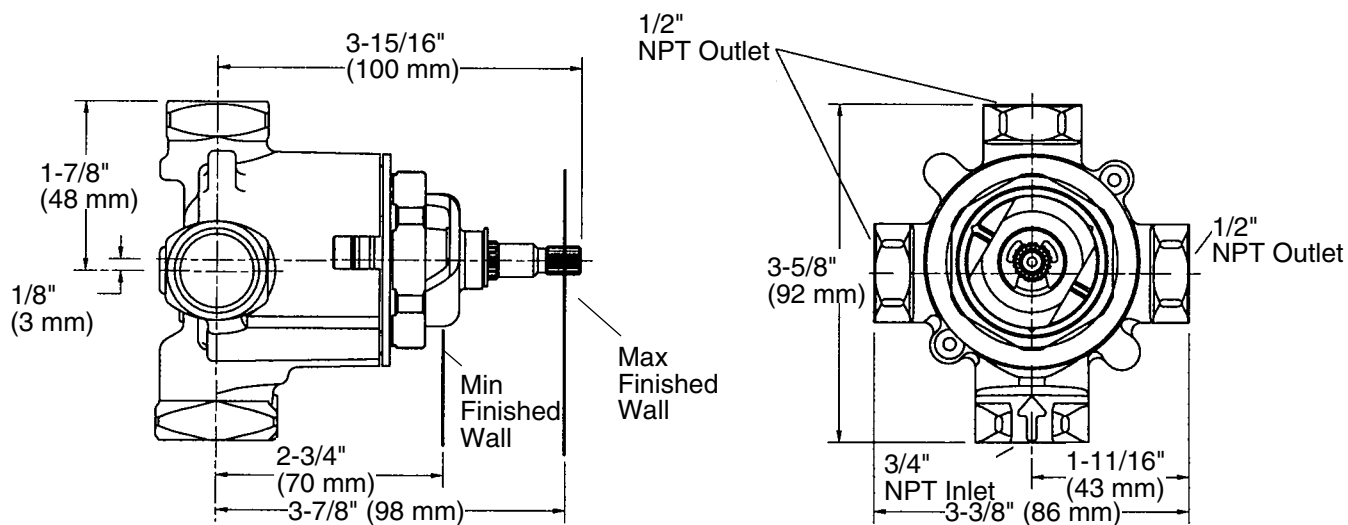
FEATURES

- Controls all functions from a single valve, one function on at one time
- Solid brass construction for durability and reliability
- Wall-mount installation
- Brass valve body
- Trickle flow from any two outlets to a variable flow from a single outlet
- Single-handle control
- One 3/4" NPT inlet connection
- Three 1/2" NPT outlet connections

CODES/STANDARDS APPLICABLE

- Specified model meets or exceeds the following:
- ASME A112.18.1/CSA B125.1

P29514



SPECIFIED MODEL

Model	Description	Finishes
P29514-00	3-way Transfer Valve Eco	<input type="checkbox"/> NA

We reserve the right to make revisions without notice in the design of products or in packaging unless this right has specifically been waived at the time the order is accepted.