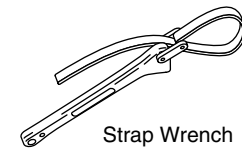


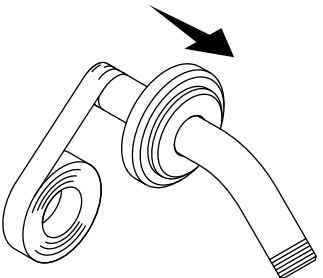
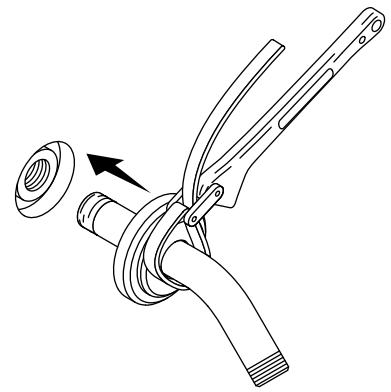
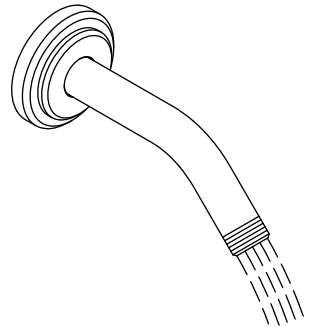
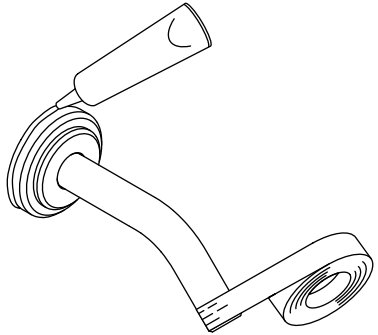
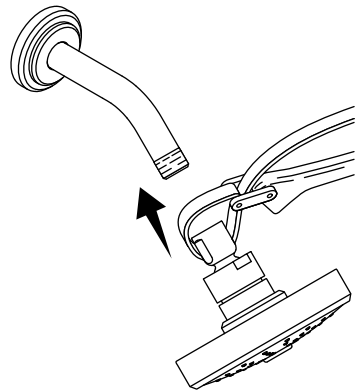
100% Silicone Sealant



Sealant Tape



Strap Wrench

<p>Record your model number.</p>	<p>⚠ CAUTION: Risk of product damage. To avoid plugging the showerhead spray outlets, use thread sealant tape on the shower arm threads. Do not use thread sealant compound (pipe dope).</p>	<p>⚠ CAUTION: Risk of scalding. KALLISTA low-flow showerheads are designed for use with compatible KALLISTA valves. When installing a low-flow product to an existing showering system, verify compatibility before showering. Do not use this KALLISTA low-flow product with a shower valve that allows the water temperature to become too hot when other plumbing products are used.</p>	<p>IMPORTANT INSTRUCTIONS Before using your shower, verify your new showerhead is compatible with your shower valve (located behind the wall) by performing the following steps:</p> <ul style="list-style-type: none"> • While standing outside the shower, turn on the shower valve. Do not step into the shower. • Adjust the water to your typical showering temperature. • Have someone flush the nearest toilet. • With your hand, carefully check the water temperature, from the showerhead while the toilet is refilling. • If the water becomes significantly hotter, you will need to either replace the shower valve with a compatible KALLISTA valve or return your showerhead. 	<p>NOTICE: Choose an automatic compensating valve with the appropriate minimum flow rating, to assure your valve will provide safety at the lowest flow rates. For a showerhead with a maximum flow rate of 1.75 gal/min (6.6 l/min), use with an automatic compensating valve rated 1.5 gal/min (5.7 l/min) or less.</p>	<p>Important Information Follow all local plumbing and building codes. Shut off the water supply.</p>
<p>1 Slide the wall plate onto the shower arm. Apply sealant tape.</p> 	<p>2 Install the arm. Tighten with a clean strap wrench.</p> 	<p>3 Slide the plate against the wall. Run water to flush debris.</p> 	<p>4 Apply 100% silicone sealant around the wall plate. Apply sealant tape to the arm.</p> 	<p>5 Use a clean strap wrench to secure the showerhead to the arm.</p> 	

Questions? Problems? For additional assistance, please contact KALLISTA's Customer Service Department at 1-888-4-KALLISTA (1-888-452-5547) or kallista.com.

INSTALLATION INSTRUCTIONS

P21650, P21660, P24452, P24453,
P24454, P24456, P24743, P24745,
P24746, P24761, P24843

INSTALLATION INSTRUCTIONS

THANK YOU FOR CHOOSING KALLISTA

We appreciate your commitment to KALLISTA quality products. Please take a moment to review this manual before you install your KALLISTA product. If you encounter any installation or performance problems, please do not hesitate to contact us at the phone number listed at the bottom of the page.

BEFORE YOU BEGIN

⚠️ WARNING: Risk of scalding. High water temperature can cause severe burns. Set the water temperature at or below 120°F (49°C) following the adjustment procedure in the valve Installation Instructions.

⚠️ CAUTION: Risk of scalding. KALLISTA low-flow showerheads/handshowers are designed for use with compatible KALLISTA valves. When installing a low-flow product to an existing showering system, verify compatibility before showering. Do not use this KALLISTA low-flow product with a shower valve that allows the water temperature to become too hot when other plumbing products are used.

Prior to using your shower, verify your new showerhead/ handshower is compatible with your shower valve (located behind the wall):

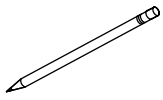
- While standing outside the shower, turn on the shower valve. Do not step into the shower.
- Adjust the water to your typical showering temperature.
- Have someone flush the nearest toilet.
- With your hand, carefully check the water temperature from the showerhead/handshower while the toilet is refilling.
- If the water becomes significantly more hot, you will need to replace the shower valve with a compatible KALLISTA valve or return your showerhead/handshower.

NOTE: Plumbing codes may require a vacuum breaker be installed in-line to handshowers. Please consult with local plumbing codes.

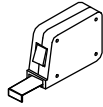
- Carefully plan the location of the wall supply elbow and fixed wall bracket to avoid the possibility of the handshower hose interfering with the operation of any faucets and/or drains, etc.
- Please read all instructions before you begin.
- Observe all local plumbing and building codes.
- Shut off the water supply.
- Inspect the supply piping for damage. Replace as necessary.
- KALLISTA reserves the right to make revisions in the design of products without notice, as specified in the Price Book.

INSTALLATION INSTRUCTIONS

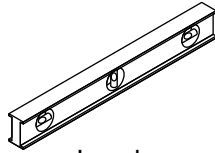
TOOLS AND MATERIALS



Pencil



Tape Measure



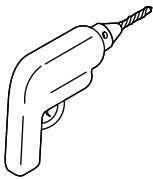
Level



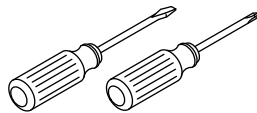
Hex Wrench



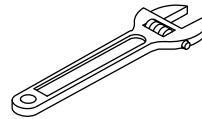
Thread Sealant



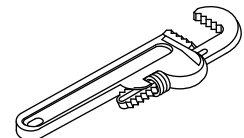
Drill



Assorted Screwdrivers

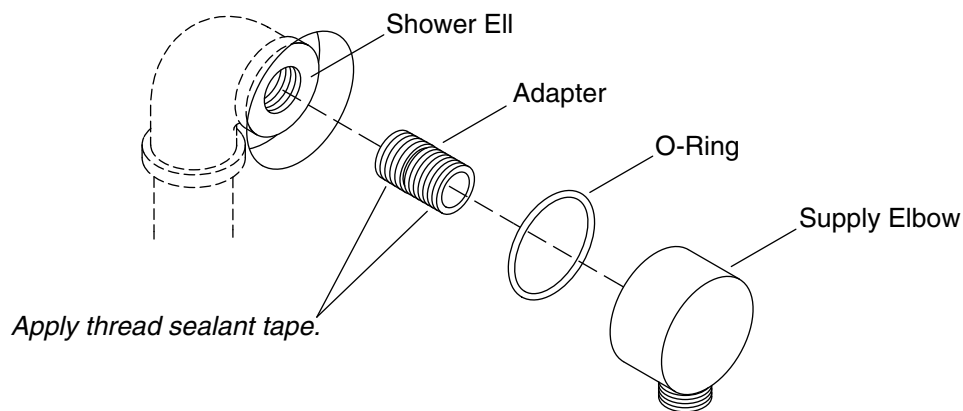


Adjustable Wrench



Pipe Wrench

1. INSTALL THE SUPPLY ELBOW (P24452)



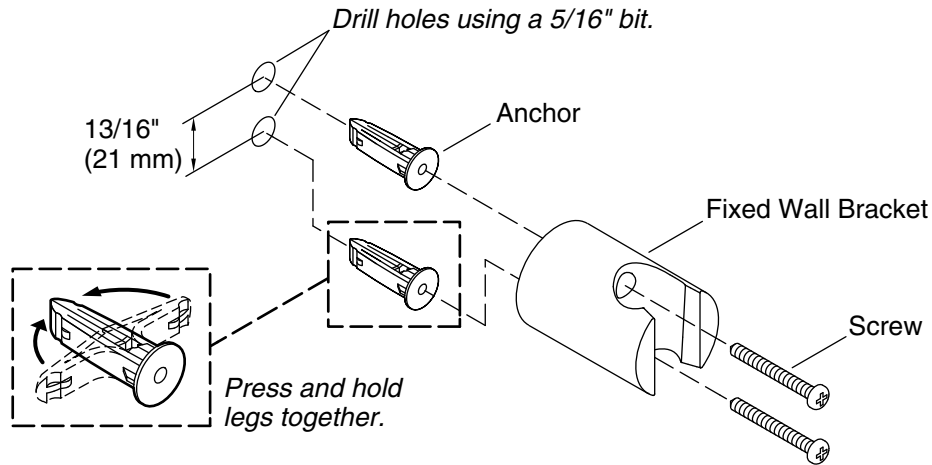
- Install a temporary nipple into the shower ell.
- Run water through the system to flush out dirt and debris.
- Remove the temporary nipple from the shower ell.
- Apply several layers of sealant tape around the straight end of the threaded adapter.
- Install the threaded adapter into the supply elbow.

NOTE: A hex wrench can be used to tighten the threaded adapter.

- Apply several layers of sealant tape around the exposed tapered end of the threaded adapter.
- Install the O-ring into the back of the supply elbow.
- Thread the adapter and supply elbow onto the shower ell.
- Turn on the water and allow water to flow through the supply elbow.
- Check connection for leaks. Repair as needed.

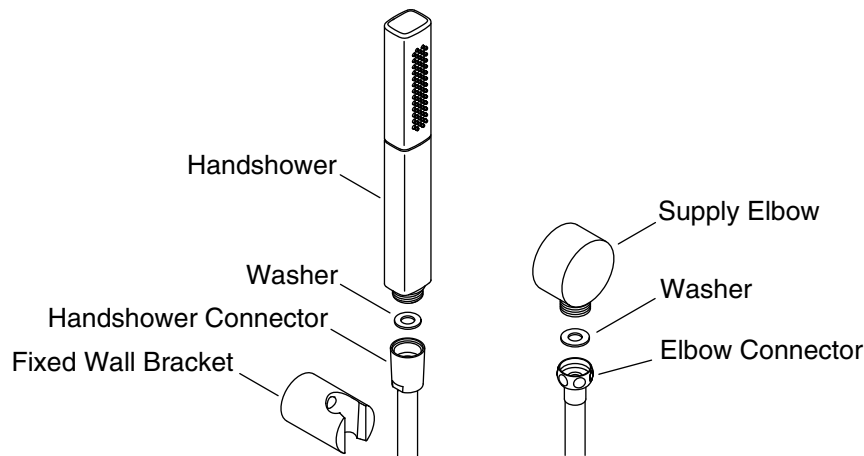
INSTALLATION INSTRUCTIONS

2. INSTALL THE FIXED WALL BRACKET (P24453)



- Determine the location for the fixed wall bracket.
- Mark the hole locations for the wall anchors.
- Drill the holes and install the wall anchors.
- Attach the fixed wall bracket to the wall with the screws.

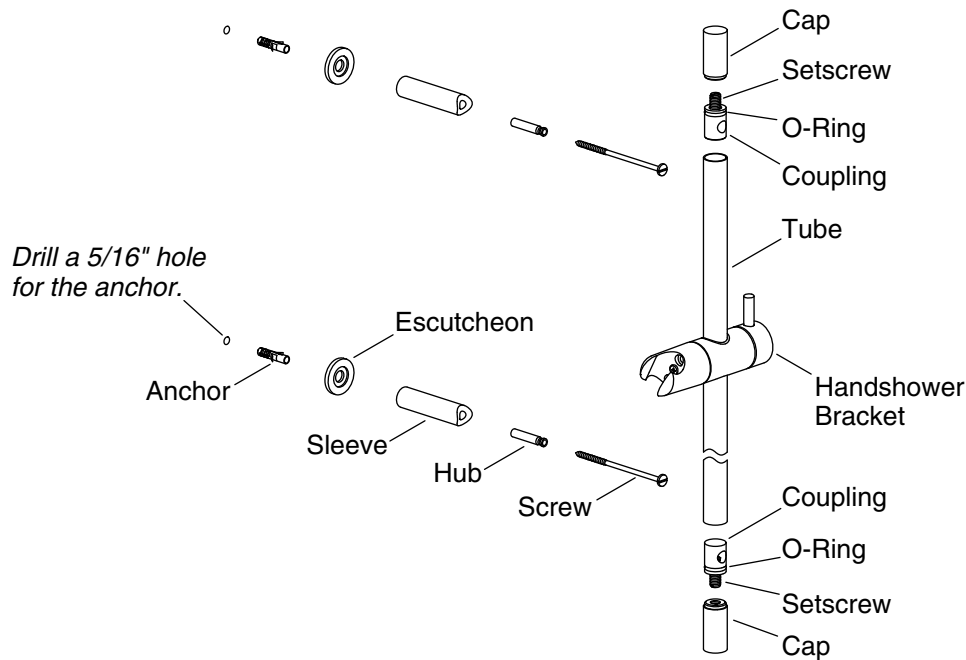
3. INSTALL THE HANDSHOWER AND HOSE



- Insert a washer into the elbow connector end of the shower hose.
- Attach the shower hose to the supply elbow. Run cold and hot water through the shower hose to flush out dirt and debris.
- Insert the other washer into the threads of the handshower connector.
- Thread the handshower into the shower hose. Tighten with an adjustable wrench.
- Turn on the water. Check for leaks and smooth operation.
- Place the handshower in the fixed wall bracket.

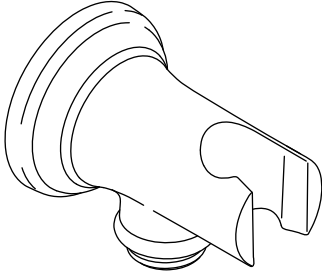
INSTALLATION INSTRUCTIONS

4. INSTALL THE OPTIONAL SLIDEBAR (P24456)

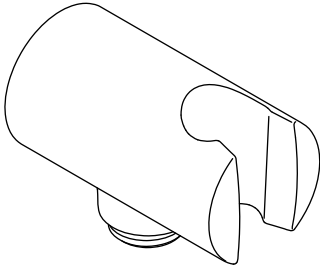


- Determine the location for the slidebar.
- Mark the hole locations for the wall anchors.
- Drill the holes and install the wall anchors.
- Attach the escutcheons, sleeves, and hubs with the screws.
- Slide the handshower bracket onto the tube.
- Insert the couplings into the ends of the tube. Line up the holes in the tube with the holes in the couplings.
- Place the tube over the sleeves.
- Tighten the setscrews so they engage with the groove in the hubs.
- Screw the caps onto the exposed ends of the setscrews.

INSTALLATION INSTRUCTIONS



P21651



P21652

INSTALLATION INSTRUCTIONS

THANK YOU FOR CHOOSING KALLISTA

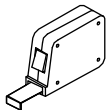
We appreciate your commitment to KALLISTA quality products. Please take a moment to review this manual before you install your KALLISTA product. If you encounter any installation or performance problems, please do not hesitate to contact us at the phone number listed at the bottom of the page.

BEFORE YOU BEGIN

NOTE: Plumbing codes may require a vacuum breaker be installed in-line to handshowers. Please consult with local plumbing codes.

- Carefully plan the location of the wall bracket to avoid the possibility of the handshower hose interfering with the operation of any faucets and/or drains, etc.
- Please read all instructions before you begin.
- Observe all local plumbing and building codes.
- Shut off the water supply.
- Inspect the supply piping for damage. Replace as necessary.
- KALLISTA reserves the right to make revisions in the design of products without notice, as specified in the Price Book.

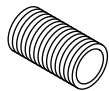
TOOLS AND MATERIALS



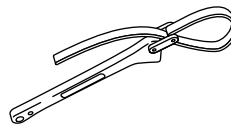
Tape Measure



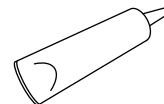
Sealant Tape



1/2" NPT Nipple



Strap Wrench



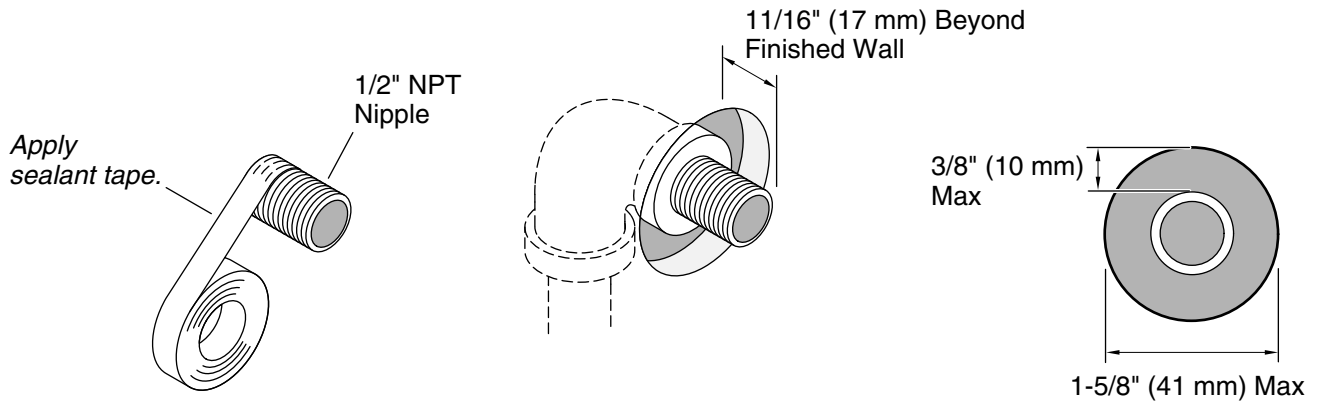
Clear Sealant



Rags

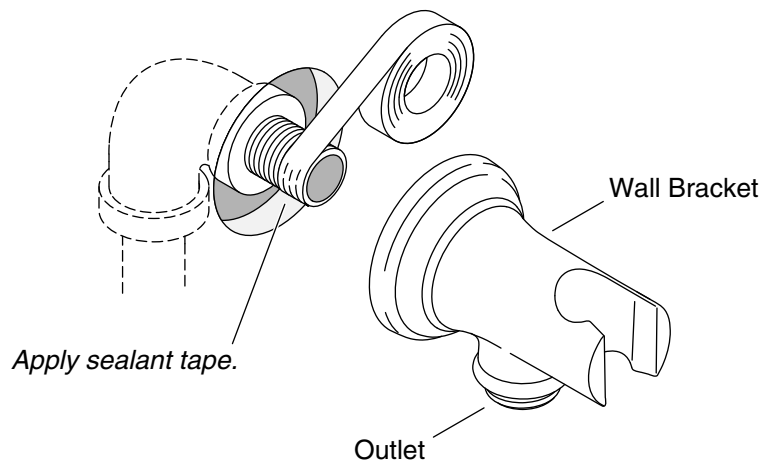
INSTALLATION INSTRUCTIONS

1. INSTALL THE PIPE NIPPLE



- Apply sealant tape to one end of a 1/2" NPT nipple.
- Install the nipple to extend 11/16" (17 mm) beyond the finished wall.
- Ensure the gap between the nipple and finished wall is no more than 3/8" (10 mm).

2. INSTALL THE WALL BRACKET



- Apply sealant tape to the exposed threads of the nipple.
- Thread the wall bracket onto the nipple.
- Using a clean strap wrench, tighten the bracket flush to the wall with the outlet oriented down.
- Apply a bead of clear sealant around the perimeter of the bracket.
- Turn on the water and allow water to flow through the bracket to flush out debris.
- Check connection for leaks. Repair as needed.

INSTALLATION INSTRUCTIONS

P23052-CR, P23052-LV, P23122-LV,
P23222-RK, P23222-LV, P24022-CL,
P24022-CR, P24022-KL, P24022-RB,
P24022-RL, P24122-CR, P24122-LV,
P24129-CR, P24129-LV, P24421-CR,
P24421-LV, P24422-CR, P24422-LV,
P24522-LV, P24522-TT, P24622-CR,
P24622-LV, P24722-LV

INSTALLATION INSTRUCTIONS

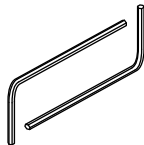
THANK YOU FOR CHOOSING KALLISTA

We appreciate your commitment to KALLISTA quality products. Please take a moment to review this manual before you install your KALLISTA product. If you encounter any installation or performance problems, please do not hesitate to contact us at the phone number listed at the bottom of the page.

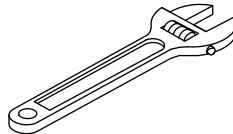
BEFORE YOU BEGIN

- Please read all instructions before you begin.
- Prior to installation, unpack the valve trim and inspect it for damage. Return it to the carton until installation.
- Observe all local plumbing and building codes.
- Shut off the water supply.
- The appearance of your product may differ from what is shown in these instructions, however, the installation procedure is the same.
- KALLISTA reserves the right to make revisions in the design of products without notice, as specified in the Price Book.

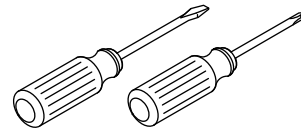
TOOLS AND MATERIALS



Assorted
Hex Wrenches



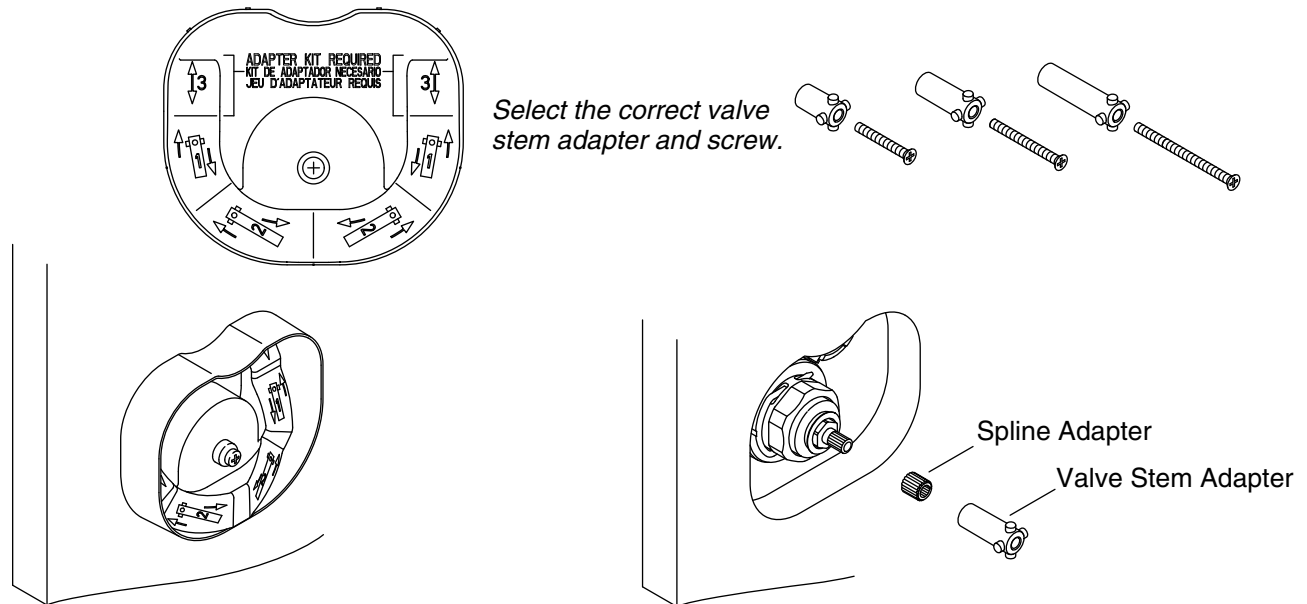
Adjustable
Wrench



Assorted
Screwdrivers

INSTALLATION INSTRUCTIONS

1. INSTALL THE VALVE STEM ADAPTER



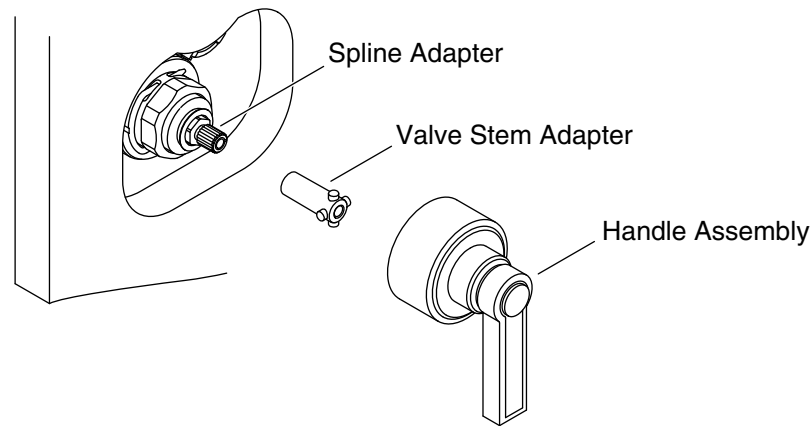
Select the correct valve stem adapter and screw.

NOTE: Check the finished wall surface as related to the graphics on the plaster guard.

- Select the correct length valve stem adapter and screw for your application. Refer to the information stamped on the plaster guard to verify the wall thickness.
- Thin wall - 3/16" (5 mm) to 9/16" (14 mm):** Use the 7/8" (22 mm) (short) valve stem adapter, stamped "3" on the plaster guard, and the 1-3/8" (35 mm) screw.
- Standard wall - 9/16" (14 mm) to 1-1/16" (27 mm):** Use the 1-3/8" (35 mm) (medium) valve stem adapter, stamped "1" on the plaster guard, and the 1-3/4" (44 mm) screw.
- Thick wall - 1-1/16" (27 mm) to 1-9/16" (40 mm):** Use the 1-7/8" (48 mm) (long) valve stem adapter, stamped "2" on the plaster guard, and the 2-3/8" (60 mm) screw.
- Remove and discard the plaster guard from the valve.
- Place the spline adapter over the valve stem.
- Set the valve stem adapter over the spline adapter. **Do not completely press or screw the valve stem adapter into place until instructed to do so.**

INSTALLATION INSTRUCTIONS

2. ADJUST THE HANDLE ASSEMBLY



- Ensure the valve stem adapter is lightly placed over the spline adapter.
- Place the handle assembly over the valve stem adapter.
- Turn the handle clockwise until the stop is contacted. The valve will be in the full cold position. The handle should be between 9 and 10 o'clock positions. To adjust the position of the handle, refer to the alignment instructions below.
- Rotate the handle assembly counterclockwise, through the detent, then to the high temperature limit stop.
- Verify that the handle assembly is between the 3 and 4 o'clock position.
- Rotate back to the 6 o'clock position.
- Remove the handle assembly and set aside.

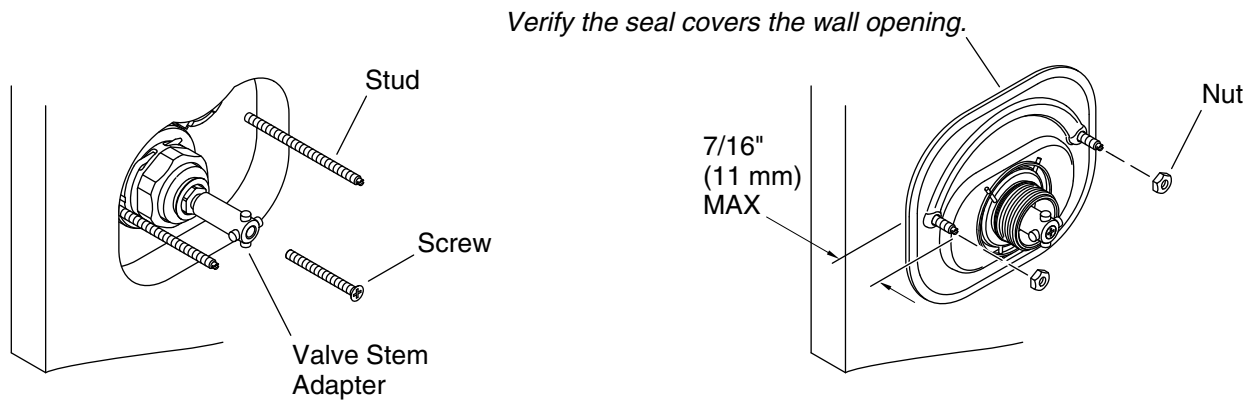
Handle Alignment Adjustments

NOTE: The spline adapter allows fine adjustment of the handle alignment.

- Remove the handle assembly and the valve stem adapter.
- Reposition the spline adapter.
- Reinstall the handle assembly and the valve stem adapter.
- Check the alignment.
- Repeat until the handle alignment is satisfactory.

INSTALLATION INSTRUCTIONS

3. INSTALL THE FRONT PLATE



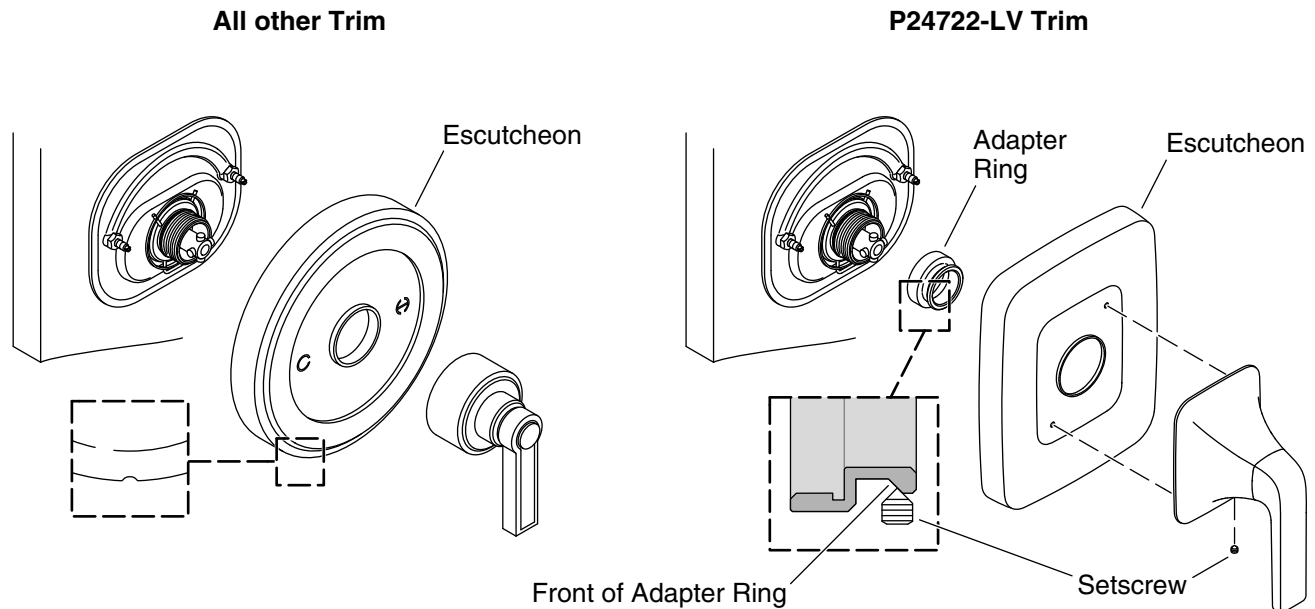
- Ensure the valve stem adapter is firmly pressed onto the valve stem.
- Secure the valve stem adapter to the valve with the correct length screw, as selected in the "Install the Valve Stem Adapter" section of this guide.
- Thread the two studs into the threaded holes of the valve.
- Place the front plate assembly over the studs.
- Thread the nuts onto the studs to secure the front plate assembly to the wall. Do not overtighten the nuts.

NOTE: If the front plate assembly does not lay flat on the wall surface, loosen the nuts and adjust the threaded studs, then retighten the nuts. Once properly installed, the threaded studs must not protrude more than 7/16" (11 mm) through the front plate assembly.

- Visually inspect the front plate assembly to ensure the foam seal is completely covering the wall opening. If not, stop the installation and repair the wall opening.

INSTALLATION INSTRUCTIONS

4. INSTALL THE TRIM



NOTE: If installing the P24722-LV trim, proceed to the "For P24722-LV" section below.

- Place the escutcheon on the wall with the drain notch located downward in the 6 o'clock position.
- Thread the handle assembly onto the hub of the front plate assembly to secure the escutcheon in place. A lever handle should point downward in the 6 o'clock position.

NOTE: If the handle does not engage the valve or the escutcheon does not tighten to the wall, replace the valve stem adapter with an adapter of appropriate length.

For P24722-LV

- Thread the adapter ring onto the hub of the front plate assembly.
- Place the escutcheon on the wall with the drain notch located downward in the 6 o'clock position.
- Place the handle assembly against the escutcheon by lining up the pins in the handle assembly with the holes in the escutcheon. Make sure the handle is pointing down to the 6 o'clock position and the setscrew hole is facing down.
- Verify the setscrew will contact the front angle of the adapter ring. Thread the adapter ring in or out until appropriate setscrew contact is achieved.
- Tighten the setscrew with a hex wrench. Make sure the handle assembly is tight against the escutcheon.

INSTALLATION INSTRUCTIONS

P23013-CR, P23013-LV, P23123-LV,
P23223-RK, P23223-LV, P24113-CR,
P24113-LV, P24118-CR, P24118-LV,
P24423-CR, P24423-LV, P24523-TT,
P24623-CR, P24623-LV, P24723-LV

INSTALLATION INSTRUCTIONS

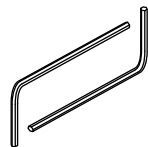
THANK YOU FOR CHOOSING KALLISTA

We appreciate your commitment to KALLISTA quality products. Please take a moment to review this manual before you install your KALLISTA product. If you encounter any installation or performance problems, please do not hesitate to contact us at the phone number listed at the bottom of the page.

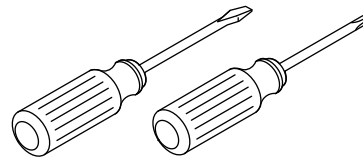
BEFORE YOU BEGIN

- Please read all instructions before you begin.
- Prior to installation, unpack the valve trim and inspect it for damage. Return it to the carton until installation.
- Observe all local plumbing and building codes.
- Shut off the water supply.
- The appearance of your product may differ from what is shown in these instructions, however, the installation procedure is the same.
- KALLISTA reserves the right to make revisions in the design of products without notice, as specified in the Price Book.

TOOLS AND MATERIALS



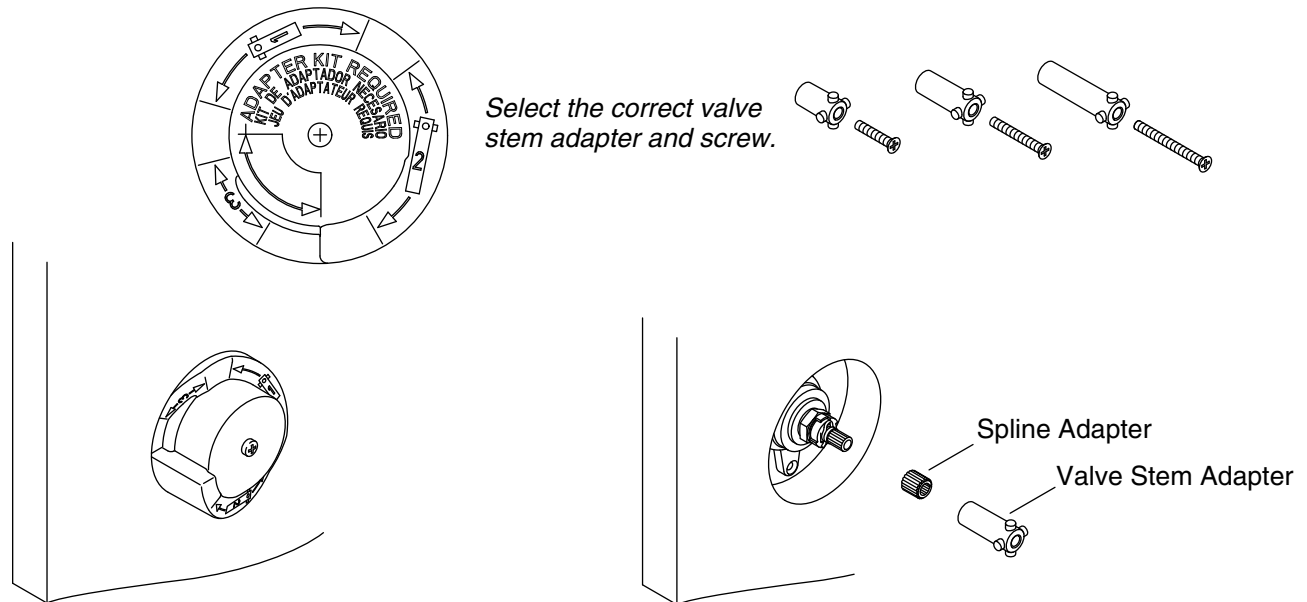
Assorted
Hex Wrenches



Assorted
Screwdrivers

INSTALLATION INSTRUCTIONS

1. INSTALL THE VALVE STEM ADAPTER

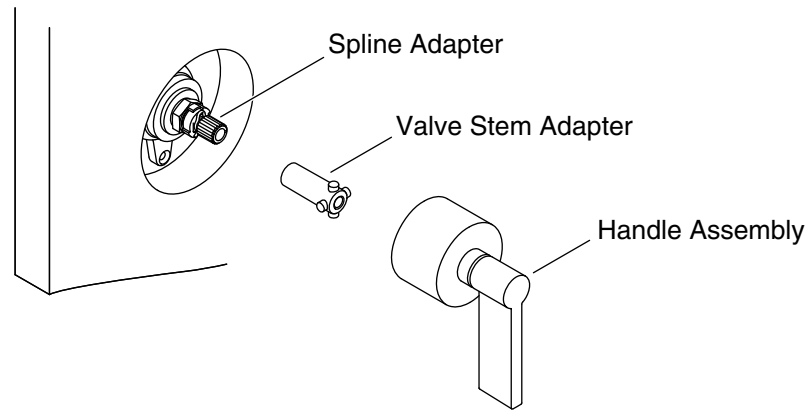


NOTE: Check the finished wall surface as related to the graphics on the plaster guard.

- Select the correct length valve stem adapter and screw for your application. Refer to the information stamped on the plaster guard to verify the wall thickness.
- Thin wall - 3/16" (5 mm) to 9/16" (14 mm):** Use the 7/8" (22 mm) (short) valve stem adapter, stamped "3" on the plaster guard, and the 3/8" (19 mm) screw.
- Standard wall - 9/16" (14 mm) to 1-1/16" (27 mm):** Use the 1-3/8" (35 mm) (medium) valve stem adapter, stamped "1" on the plaster guard, and the 1-3/8" (35 mm) screw.
- Thick wall - 1-1/16" (27 mm) to 1-9/16" (40 mm):** Use the 1-7/8" (48 mm) (long) valve stem adapter, stamped "2" on the plaster guard, and the 1-3/4" (44 mm) screw.
- Remove and discard the plaster guard from the valve.
- Place the spline adapter over the valve stem.
- Set the valve stem adapter over the spline adapter. **Do not completely press or screw the valve stem adapter into place until instructed to do so.**

INSTALLATION INSTRUCTIONS

2. ADJUST THE HANDLE ASSEMBLY



- Ensure the valve stem adapter is lightly placed over the spline adapter.
- Place the handle assembly over the valve stem adapter.
- Turn the handle counterclockwise until the valve is fully closed. The handle should be in the vertical, 6 o'clock position.
- Remove the handle assembly and set aside.

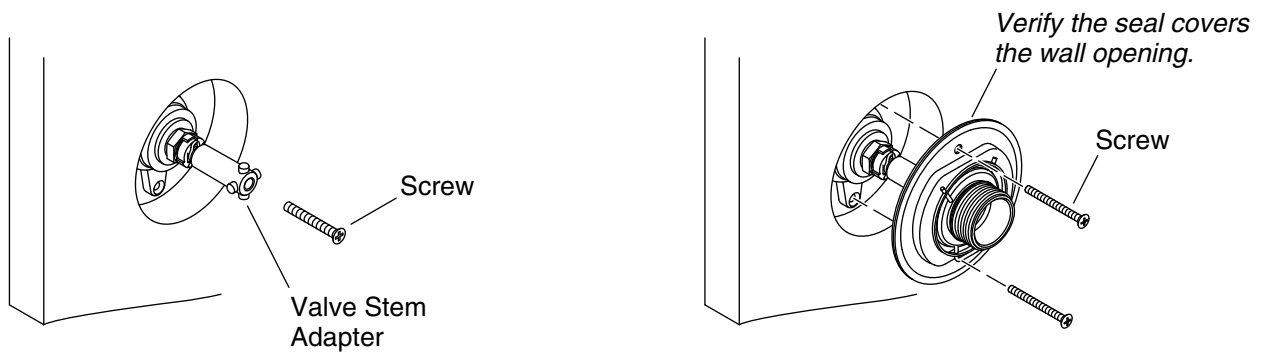
Handle Alignment Adjustments

NOTE: The spline adapter allows fine adjustment of the handle alignment.

- Remove the handle assembly and the valve stem adapter.
- Reposition the spline adapter.
- Reinstall the handle assembly and the valve stem adapter.
- Check the alignment.
- Repeat until the handle alignment is satisfactory.

INSTALLATION INSTRUCTIONS

3. INSTALL THE FRONT PLATE



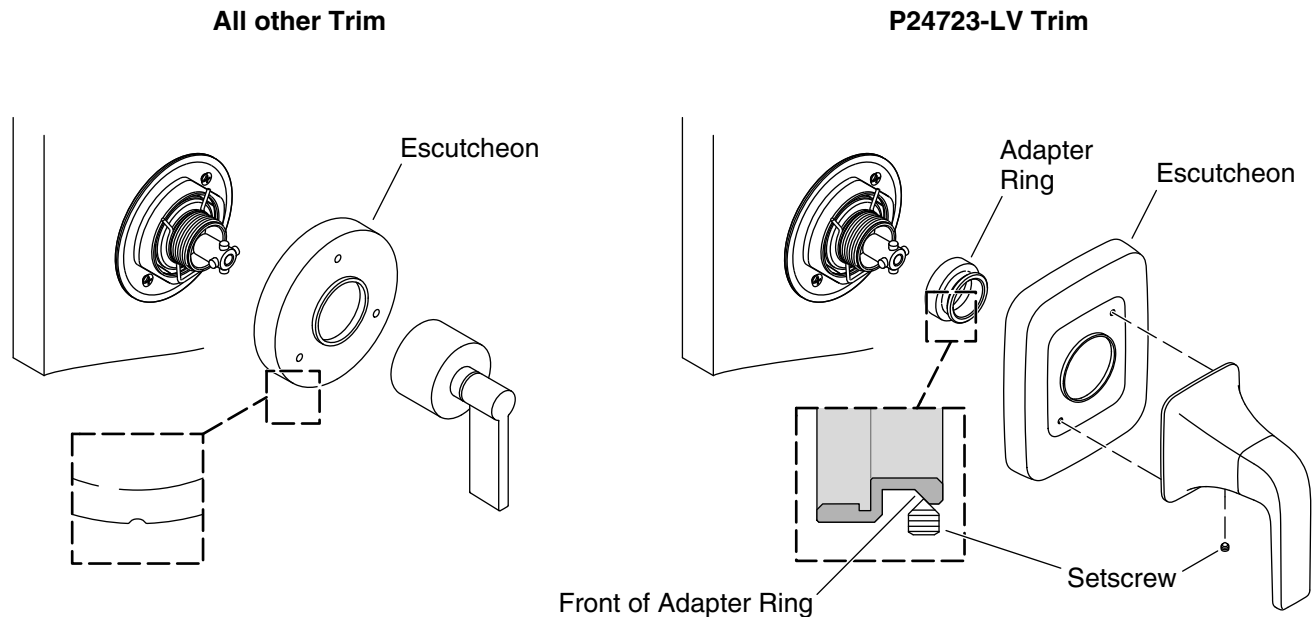
- Ensure the valve stem adapter is firmly pressed onto the valve stem.
- Secure the valve stem adapter to the valve with the correct length screw, as selected in the "Install the Valve Stem Adapter" section of this guide.
- Align the holes on the front plate assembly and the valve.

NOTE: Be sure to select the correct length screw for your application.

- Attach the two screws through the front plate assembly and into the valve. Do not overtighten.
- Visually inspect the front plate assembly to ensure the foam seal is completely covering the wall opening. If not, stop the installation and repair the wall opening.

INSTALLATION INSTRUCTIONS

4. INSTALL THE TRIM



NOTE: If installing the P24723-LV trim, proceed to the "For P24723-LV" section below.

- Place the escutcheon on the wall with the drain notch located downward in the 6 o'clock position.
- Thread the handle assembly onto the hub of the front plate assembly to secure the escutcheon in place. A lever handle should point downward in the 6 o'clock position.

NOTE: If the handle does not engage the valve or the escutcheon does not tighten to the wall, replace the valve stem adapter with an adapter of appropriate length.

For P24723-LV

- Thread the adapter ring onto the hub of the front plate assembly.
- Place the escutcheon on the wall with the drain notch located downward in the 6 o'clock position.
- Place the handle assembly against the escutcheon by lining up the pins in the handle assembly with the holes in the escutcheon. Make sure the handle is pointing down to the 6 o'clock position and the setscrew hole is facing down.
- Verify the setscrew will contact the front angle of the adapter ring. Thread the adapter ring in or out until appropriate setscrew contact is achieved.
- Tighten the setscrew with a hex wrench. Make sure the handle assembly is tight against the escutcheon.

Homeowners Guide

Kallista Products

Français, page "Français-1"
Español, página "Español-1"

1057788-5-B

KALLISTA®

Thank You For Choosing Kallista

Thank you for choosing Kallista. Your Kallista product combines exceptional performance with timeless classic elegance that will satisfy you for years to come. The dependability and beauty of your Kallista product will surpass your highest expectations.

Please take a few minutes to study this Homeowners Guide. Pay special attention to the care and cleaning and warranty information.

All information in this manual is based upon the latest product information available at the time of publication.

Cleaning Your Kallista Product

For best results, keep the following in mind when caring for your Kallista product:

General Cleaning - Use a mild detergent such as liquid dishwashing soap and warm water for cleaning. Rinse well to remove all detergent and gently dry. Do not use abrasive cleaners that may scratch or dull the surface.

Read Labels - Carefully read the cleaner product label to ensure the cleaner is safe for use on the material.

Test First - Always test your cleaning solution on an inconspicuous area before applying it to the entire surface.

Do Not Let Cleaners Soak - Do not allow cleaners to sit or soak on the product.

Wipe Clean - Wipe surfaces clean and rinse completely with water immediately after cleaner application. Rinse and dry any overspray that lands on nearby surfaces.

Avoid Abrasive Materials - Use a soft, dampened sponge or cloth. Never use an abrasive material such as a brush or scouring pad to clean surfaces.

For detailed cleaning information and products to consider, visit www.kallista.com/tools_and_resources.html. For additional assistance, please contact Kallista Customer Service at 1-888-4-KALLISTA (1-888-452-5547).

Five-Year Limited Warranty

All Kallista products carry Kallista's five-year warranty unless otherwise noted.*

Five-Year Limited Warranty (cont.)

Kallista's products are warranted to be free of defects in material and workmanship for five years from the date of installation.

Kallista will, at its election, repair, replace, or make appropriate adjustment where Kallista inspection discloses any such defects occurring in normal usage within five (5) years after installation. Kallista is not responsible for removal or installation costs. Use of in-tank toilet cleaners will void the warranty.

To obtain warranty service, contact your Kallista Authorized Showroom.

Implied warranties including that of merchantability and fitness for a particular purpose are expressly limited in duration to the duration of this warranty. Kallista and/or seller disclaims any liability for special, incidental, or consequential damages.

Some states/provinces do not allow limitations on how long an implied warranty lasts, or the exclusion or limitation of special, incidental or consequential damages, so these limitations and exclusions may not apply to you. This warranty gives you specific legal rights. You may also have other rights which vary from state/province.

This is Kallista's exclusive written warranty.

* Kallista's Hampstead and Stafford vitreous products carry a one-year Limited Warranty.

Service Parts

- For service and installation issues and concerns, call 1-888-4-KALLISTA (1-888-452-5547).

Guide du propriétaire

Produits Kallista

Merci d'avoir choisi Kallista

Merci d'avoir choisi Kallista. Votre produit Kallista combine une performance exceptionnelle avec une élégance classique inégalable qui vous satisferont pour les années à venir. La fiabilité et la beauté de votre produit Kallista surpasseront vos plus grandes espérances.

Veillez prendre s'il vous plaît quelques minutes pour consulter ce guide du propriétaire. Prêter une attention toute particulière à l'information d'entretien et nettoyage ainsi que de la garantie.

Toute l'information dans ce manuel est basée sur la dernière disponible au moment de la publication.

Nettoyer le produit Kallista

Pour de meilleurs résultats, prendre ce qui suit en considération lors de l'entretien de votre produit Kallista:

Nettoyage général -Utiliser un détergent doux tel que liquide pour vaisselle et de l'eau chaude pour nettoyer. Bien rincer pour retirer tout détergent et sécher avec précaution. Ne pas utiliser de nettoyeurs abrasifs car ils pourraient rayer ou abîmer la surface.

Lire les étiquettes -Lire attentivement l'étiquette du produit de nettoyage pour vérifier qu'il soit adéquat à utiliser sur le matériau.

Tester d'abord -Toujours tester la solution de nettoyage sur une surface la moins évidente avant de l'appliquer sur la totalité de la surface.

Ne pas laisser les nettoyeurs tremper -Ne pas permettre aux nettoyeurs de demeurer sur le produit.

Éssuyer -Éssuyer les surfaces et rincer complètement avec de l'eau immédiatement après l'application du nettoyant. Rincer et sécher tout éclaboussement sur les surfaces annexes.

Éviter des matériaux abrasifs -Utiliser une éponge ou un chiffon doux et humide. Ne jamais utiliser de matériau abrasif tel que brosse ou éponges à récurer pour nettoyer les surfaces.

Pour l'information détaillée de nettoyage et des produits à considérer, visiter www.kallista.com/clean. Pour plus d'assistance, veuillez

Nettoyer le produit Kallista (cont.)

contacter le Service Clientèle Kallista au 1-888-4-KALLISTA (1-888-452-5547).

Garantie Limitée de cinq ans

Tous les produits Kallista sont couverts sous une garantie Kallista de cinq ans à moins qu'autrement indiqué.*

Les produits Kallista sont garantis contre tout défaut matériel et de fabrication pour cinq ans à partir de la date de l'installation.

Kallista jugera à sa discrétion, de la réparation, du remplacement ou du réglage approprié et ceci après toute inspection faite par Kallista de tous défauts dus à une utilisation normale et ceci pendant cinq (5) ans à partir de la date d'installation. Kallista n'est pas responsable des coûts de démontage ou d'installation. L'utilisation de nettoyeurs à l'intérieur du réservoir annulera la garantie.

Pour obtenir un service de garantie, contacter un salon d'exposition agréé Kallista.

Les garanties implicites, y compris celles de qualité marchande et d'aptitude à un emploi particulier, se limitent expressément à la durée de la présente garantie. Kallista et/ou le vendeur déclinent toutes responsabilités contre tous dommages occasionnés, imprévisibles ou corrélatifs.

Certains états/provinces ne permettent pas la limitation sur la durée de la garantie, ou l'exclusion ou la limitation spéciale, de dommages occasionnés, ou corrélatifs à un accident, de sorte que ces limitations ou exclusions pourraient ne pas s'appliquer dans votre cas. Cette garantie vous donne des droits légaux spécifiques. Vous pouvez également avoir d'autres droits qui varient d'un état/province.

Ceci constitue la garantie écrite exclusive de Kallista.

* Les produits en porcelaine vitrifiée Kallista Hampstead et Stafford sont sous une garantie limitée d'un an.

Pièces de rechange

- Pour des problèmes ou questions concernant le dépannage et l'installation, composer le 1-800-4-KALLISTA

Guía del usuario

Productos Kallista

Gracias por elegir los productos Kallista

Gracias por elegir los productos Kallista. Su producto Kallista combina el funcionamiento excepcional con la clásica elegancia perdurable que le satisfacerán por muchos años. La fiabilidad y belleza de su producto Kallista sobrepasarán sus mayores expectativas.

Dedique unos minutos para leer esta Guía del usuario. Preste especial atención a la información sobre el cuidado y limpieza, y la garantía.

Toda la información contenida en este manual está basada en la información más reciente disponible al momento de su publicación.

Limpieza de su producto Kallista:

Para obtener los mejores resultados, tenga presente lo siguiente al limpiar su producto Kallista:

Limpieza general - Para la limpieza, utilice solamente un detergente suave como el jabón líquido para lavar platos y agua tibia. Enjuague bien para eliminar todo el detergente y seque suavemente. No utilice limpiadores abrasivos que puedan rayar u opacar la superficie.

Lea las etiquetas - Lea atentamente la etiqueta del producto de limpieza para asegurar que no presente riesgos al usarse en el material.

Pruebe primero - Siempre pruebe la solución de limpieza en un área oculta antes de aplicarla a toda la superficie.

No deje los productos de limpieza en la superficie por tiempo prolongado - No deje por tiempo prolongado los productos de limpieza en las superficies del producto.

Limpie con un trapo - Limpie con un trapo y enjuague completa e inmediatamente con agua después de aplicar limpiadores. Enjuague y seque las superficies cercanas que se hayan rociado.

Evite materiales abrasivos - Utilice una esponja o trapo suave y húmedo. Nunca utilice materiales abrasivos como cepillos o estropajos de tallar para limpiar las superficies.

Para obtener información detallada de limpieza y los limpiadores a considerar, visite www.kallista.com/clean. Para asistencia adicional,

Limpieza de su producto Kallista: (cont.)

comuníquese con el departamento de servicio al cliente de Kallista al 1-888-4-KALLISTA (1-888-452-5547).

Garantía limitada de cinco años

Todos los productos Kallista tienen una garantía de cinco años de Kallista, a menos que se indique lo contrario.*

Se garantiza que los productos Kallista están libres de defectos de material y mano de obra por cinco años a partir de la fecha de instalación.

Kallista, a su criterio, reparará, reemplazará o realizará los ajustes pertinentes en los casos en que la inspección realizada por Kallista determine que dichos defectos ocurrieron durante el uso normal en el transcurso de cinco (5) años a partir de la fecha de la instalación. Kallista no se hace responsable de los gastos de desinstalación o instalación. El uso de limpiadores de inodoro que se colocan dentro del tanque anulará la garantía.

Para obtener el servicio cubierto por la garantía, comuníquese con la sala de exhibiciones autorizada de Kallista.

Toda garantía implícita en relación a productos de uso comercial, incluyendo la comercialización e idoneidad del producto para un uso determinado, se limita expresamente a la duración de la presente garantía. Kallista y/o el vendedor no se hacen responsables por concepto de daños particulares, incidentales o indirectos.

Algunos estados/provincias no permiten limitaciones en cuanto a la duración de una garantía implícita o a la exclusión o limitación de daños particulares, incidentales o indirectos, por lo que estas limitaciones y exclusiones pueden no aplicar a su caso. La presente garantía le otorga ciertos derechos legales específicos. Además, es posible que usted cuente con otros derechos que pueden variar de un estado/provincia a otro.

Ésta es la garantía exclusiva por escrito de Kallista.

* Los productos de porcelana vitrificada Hampstead y Stafford de Kallista tienen una garantía limitada de un año.

Piezas de repuesto

- Para preguntas de servicio e instalación, llame al 1-800-4-KALLISTA.

USA/Canada: 1-888-4-KALLISTA

Fax: 1-888-272-3094

kallista.com

KALLISTA

©2007 KALLISTA

1057788-5-B

INSTALLATION INSTRUCTIONS

P23083-CR, P23083-LV, P23183-LV,
P23283-RK, P23283-LV, P24183-CR,
P24183-LV, P24184-CR, P24184-LV,
P24483-CR, P24483-LV, P24583-TT,
P24683-CR, P24683-LV, P24724-LV

INSTALLATION INSTRUCTIONS

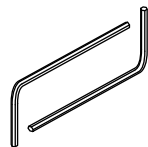
THANK YOU FOR CHOOSING KALLISTA

We appreciate your commitment to KALLISTA quality products. Please take a moment to review this manual before you install your KALLISTA product. If you encounter any installation or performance problems, please do not hesitate to contact us at the phone number listed at the bottom of the page.

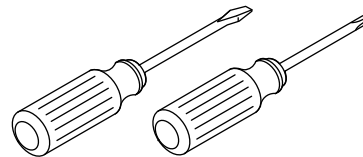
BEFORE YOU BEGIN

- Please read all instructions before you begin.
- Prior to installation, unpack the valve trim and inspect it for damage. Return it to the carton until installation.
- Observe all local plumbing and building codes.
- Shut off the water supply.
- The appearance of your product may differ from what is shown in these instructions, however, the installation procedure is the same.
- KALLISTA reserves the right to make revisions in the design of products without notice, as specified in the Price Book.

TOOLS AND MATERIALS



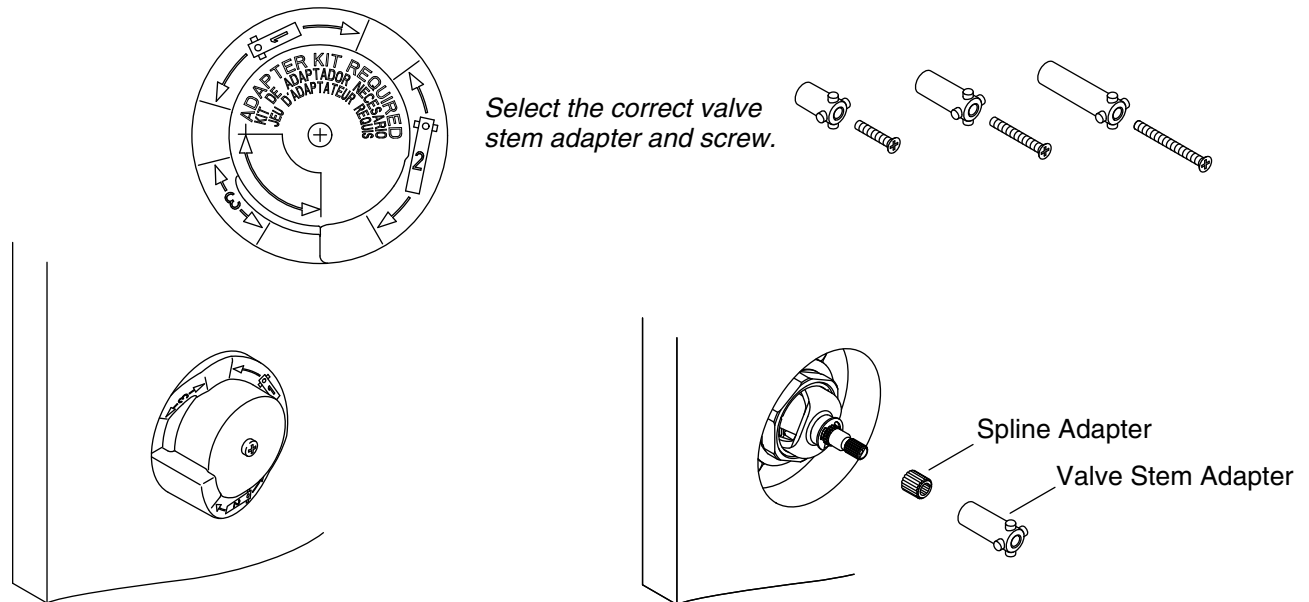
Assorted
Hex Wrenches



Assorted
Screwdrivers

INSTALLATION INSTRUCTIONS

1. INSTALL THE VALVE STEM ADAPTER

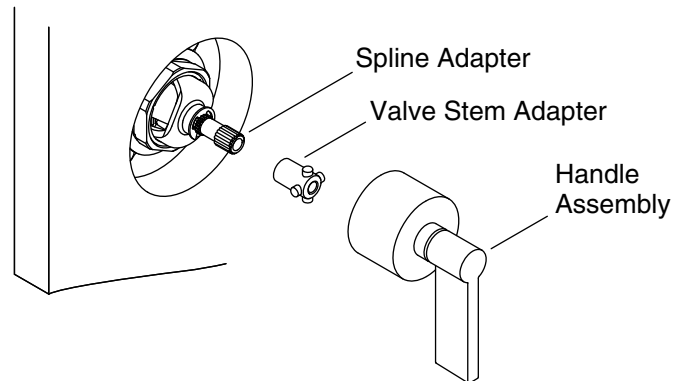
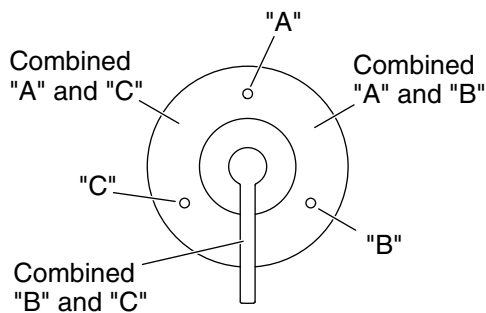
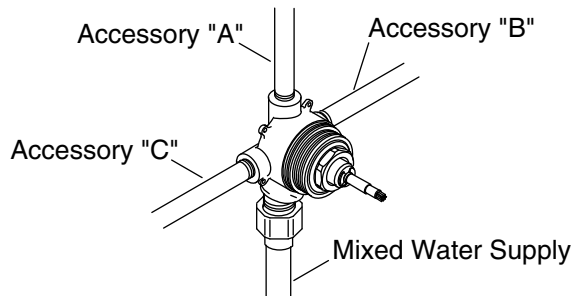


NOTE: Check the finished wall surface as related to the graphics on the plaster guard.

- Select the correct length valve stem adapter and screw for your application. Refer to the information stamped on the plaster guard to verify the wall thickness.
- Thin wall - 3/16" (5 mm) to 9/16" (14 mm): Use the 1/2" (13 mm) (short) valve stem adapter, stamped "3" on the plaster guard, and the 13/16" (21 mm) screw.
- Standard wall - 9/16" (14 mm) to 1-1/16" (27 mm): Use the 7/8" (22mm) (medium) valve stem adapter, stamped "1" on the plaster guard, and the 13/16" (21 mm) screw.
- Thick wall - 1-1/16" (27 mm) to 1-9/16" (40 mm): Use the 1-3/8" (35 mm) (long) valve stem adapter, stamped "2" on the plaster guard, and the 1-3/8" (35 mm) screw.
- Remove and discard the plaster guard from the valve.
- Place the spline adapter over the valve stem.
- Set the valve stem adapter over the spline adapter. Do not completely press or screw the valve stem adapter into place until instructed to do so.

INSTALLATION INSTRUCTIONS

2. ADJUST THE HANDLE ASSEMBLY



NOTE: Valve Operation. Water will flow from a single shower accessory when the control knob detent lines up with any of the large detents on the escutcheon. Water will flow from two accessories at the same time when the control knob detent is centered between two large detents on the escutcheon.

- Ensure the valve stem adapter is lightly placed over the spline adapter.
- Place the handle assembly over the valve stem adapter.
- Turn on the water supply to the transfer valve.
- Rotate the handle assembly until water begins to flow through the shower accessory.
- Determine the shower accessory that will correspond to the Accessory "A" setting at the 12 o'clock position on the escutcheon.
- Turn the handle to the detent setting that corresponds with Accessory "A." The handle should be in the vertical 12 o'clock position.
- Remove the handle assembly and set aside.

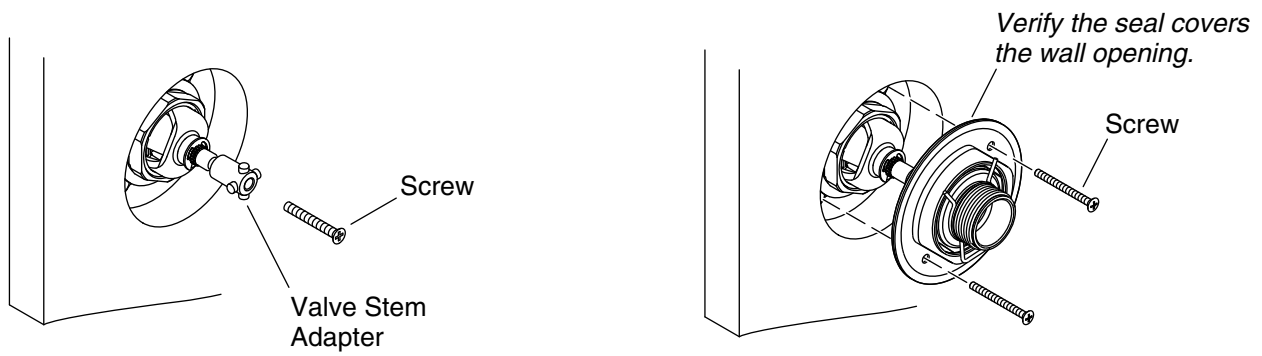
Handle Alignment Adjustments

NOTE: The spline adapter allows fine adjustment of the handle alignment.

- Remove the handle assembly and the valve stem adapter.
- Reposition the spline adapter.
- Reinstall the handle assembly and the valve stem adapter.
- Check the alignment.
- Repeat until the handle alignment is satisfactory.

INSTALLATION INSTRUCTIONS

3. INSTALL THE FRONT PLATE



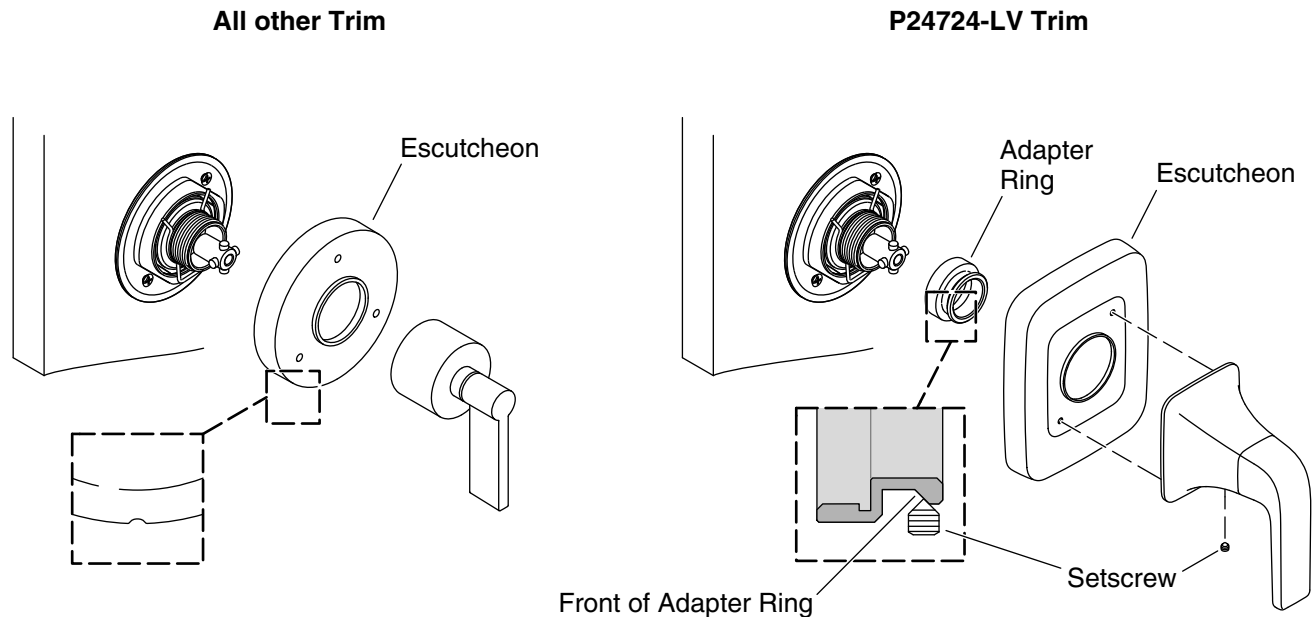
- Ensure the valve stem adapter is firmly pressed onto the valve stem.
- Secure the valve stem adapter to the valve with the correct length screw, as selected in the “Install the Valve Stem Adapter” section of this guide.
- Align the holes on the front plate assembly and the valve.

NOTE: Be sure to select the correct length screw for your application.

- Attach the two screws through the front plate assembly and into the valve. Do not overtighten.
- Visually inspect the front plate assembly to ensure the foam seal is completely covering the wall opening. If not, stop the installation and repair the wall opening.

INSTALLATION INSTRUCTIONS

4. INSTALL THE TRIM



NOTE: If installing the P24724-LV trim, proceed to the “For P24724-LV” section below.

- Place the escutcheon on the wall with the drain notch located downward in the 6 o'clock position.
- Thread the handle assembly onto the hub of the front plate assembly to secure the escutcheon in place. A lever handle should point downward in the 6 o'clock position.

NOTE: If the handle does not engage the valve or the escutcheon does not tighten to the wall, replace the valve stem adapter with an adapter of appropriate length.

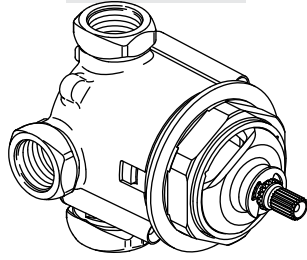
For P24724-LV

- Thread the adapter ring onto the hub of the front plate assembly.
- Place the escutcheon on the wall with the drain notch located downward in the 6 o'clock position.
- Place the handle assembly against the escutcheon by lining up the pins in the handle assembly with the holes in the escutcheon. Make sure the handle is pointing down to the 6 o'clock position and the setscrew hole is facing down.
- Verify the setscrew will contact the front angle of the adapter ring. Thread the adapter ring in or out until appropriate setscrew contact is achieved.
- Tighten the setscrew with a hex wrench. Make sure the handle assembly is tight against the escutcheon.

Installation Guide

Three-Way Transfer Valve

P29513, P29514



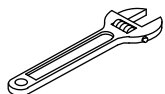
KALLISTA.

1091987-2-B

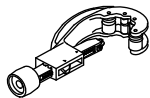
Thank You For Choosing Kallista

We appreciate your commitment to KALLISTA quality products. Please take a moment to review this manual before you install your KALLISTA product. If you encounter any installation or performance problems, please do not hesitate to contact us from within the USA or Canada at 1-888-4-KALLISTA (1-888-452-5547).

Tools and Materials



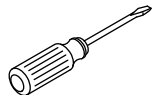
Adjustable
Wrench



Tubing
Cutter



Solder



Bladed
Screwdriver



Thread
Sealant



Propane Torch

Plus:

- 1/2" Piping or Copper Tubing for Outlets
- 3/4" Piping or Copper Tubing for Inlets

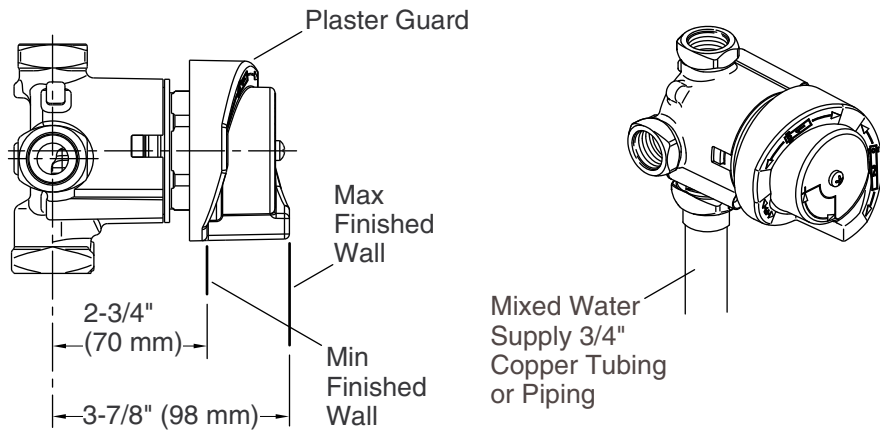
Before You Begin

IMPORTANT! Risk of product damage. Do not apply direct heat to the transfer valve body. Excessive heat will damage the plastic valve components and plaster guard.

- Observe all local plumbing and building codes.
- Do not remove the plaster guard from the transfer valve until instructed to do so.
- A mixed water supply is required for this transfer valve.
- Do not plug any outlets on this transfer valve. The transfer valve is not intended to be used as a shut-off valve.
- If less than three accessories will be installed, connect the unused transfer valve port to one of the accessories. All outlet ports must be connected to an accessory, even if one accessory is connected to two transfer valve outlet ports.
- Carefully plan the installation before beginning. Carefully read the entire instructions. Component location, spacing, and situational requirements can vary.
- Shut off the main water supply.

Before You Begin (cont.)

- Inspect the waste and supply tubing; replace if necessary.
- KALLISTA reserves the right to make revisions in the design of products without notice, as specified in the Price Book.

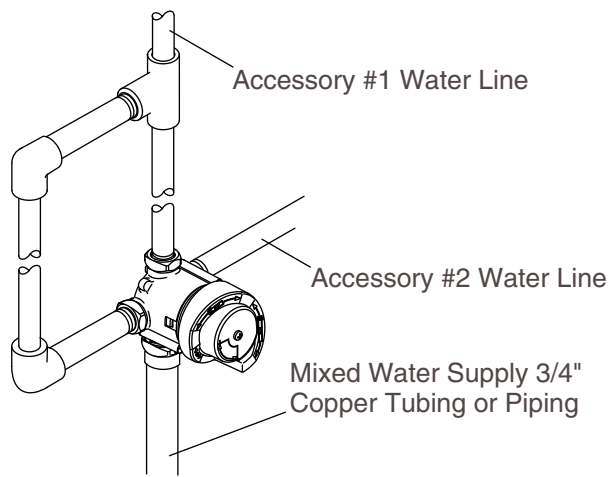


1. Prepare the Site

- Provide a 2-7/8" (73 mm) to 3-1/8" (79 mm) diameter hole in the wall material for the plaster guard.

2. Route and Connect the Water Supply

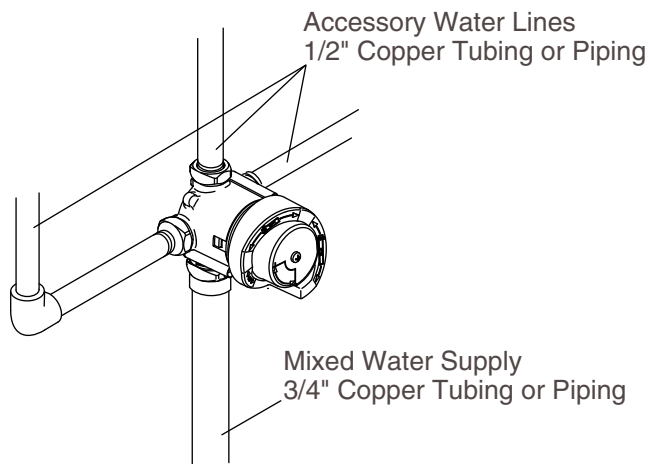
- Route the 3/4" mixed water supply line to the transfer valve location.
- Apply thread sealant to the inlet port threads and connect the water supply to the transfer valve inlet.



3. Two-Way Installations

IMPORTANT! Do not plug any outlets on this transfer valve. The transfer valve is not intended to be used as a shut-off valve. If less than three accessories will be installed, connect the unused transfer valve port to one of the accessories. All outlet ports must be connected to an accessory, even if one accessory is connected to two transfer valve outlet ports.

- Install 1/2" copper tubing or 1/2" piping for both accessories. Use a tee to connect two of the outlet ports. Securely fasten the piping and outlet ells to the framing.
- Install temporary 1/2" nipples in the outlet ells so they extend a minimum of 2" (51 mm) beyond the planned finished wall.
- Turn on the water supply to the transfer valve and check the transfer valve for proper operation and leakage. Once everything is verified, turn off the water.
- Install caps on the temporary bath and shower nipples. Turn on the water and check for leaks. Once no leakage is verified, turn off the water.
- Complete the finished wall.
- Remove and discard the plaster guard.
- Install the trim according to the installation instructions packed with the trim.



4. Three-Way Installations

- Install 1/2" copper tubing or 1/2" piping for all accessories. Securely fasten the piping and outlet ells to the framing.
- Install temporary 1/2" nipples in the outlet ells so they extend a minimum of 2" (51 mm) beyond the finished wall.
- Turn on the water supply to the transfer valve and check the transfer valve for proper operation and leakage. Once everything is verified, turn off the water.
- Install caps on the temporary bath and shower nipples. Turn on the water and check for leaks. Once no leakage is verified, turn off the water.
- Complete the finished wall.
- Remove and discard the plaster guard.
- Install the trim according to the installation instructions packed with the trim.

1091987-2-B

USA/Canada: 1-888-4-KALLISTA

Fax: 1-888-272-3094

kallista.com

KALLISTA[®]

©2012 KALLISTA

1091987-2-B