

KALLISTA®

IMPORTANT INFORMATION

1284108-2-A

⚠ WARNING: Risk of scalding. High water temperature can cause severe burns. Set the water temperature at or below 120°F (49°C) following the adjustment procedure in the valve installation instructions.

⚠ CAUTION: Risk of scalding. KALLISTA low-flow showerheads/handshowers are designed for use with compatible KALLISTA valves. When installing a low-flow product to an existing showering system, verify compatibility before showering. Do not use this KALLISTA low-flow product with a shower valve that allows the water temperature to become too hot when other plumbing products are used.

Prior to using your shower, verify your new showerhead/handshower is compatible with your shower valve (located behind the wall):

- While standing outside the shower, turn on the shower valve. Do not step into the shower.
- Adjust the water to your typical showering temperature.
- Have someone flush the nearest toilet.
- With your hand, carefully check the water temperature, from the showerhead/handshower while the toilet is refilling.
- If the water becomes significantly more hot, you will need to replace the shower valve with a compatible KALLISTA valve or return your showerhead/handshower.

NOTICE: For a showerhead rate at 1.75 gal/min (6.6 l/min) maximum, use with an automatic compensating valve rated at 1.4 gal/min (5.3 l/min) or less.

CAUTION: Risk of product damage. To avoid plugging the showerhead spray outlets, use thread sealant tape on the shower arm threads. Do not use pipe dope.

Follow all local plumbing and building codes.

1A. Silicone Sealant

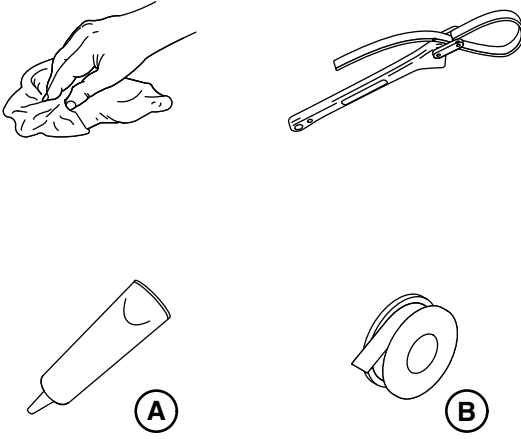
1B. Sealant Tape

6A. Optional: Apply a bead of clear silicone sealant around the escutcheon.

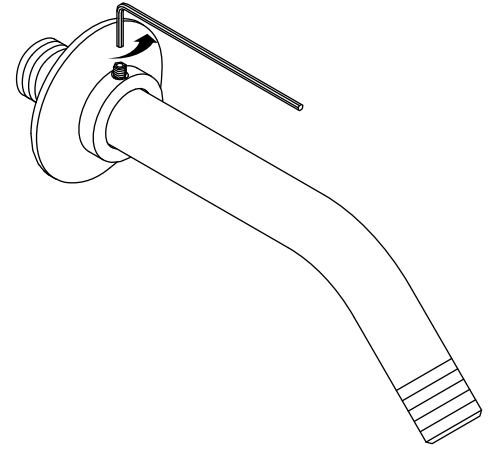
7A. Flush the shower arm.

8A. Apply sealant tape. Tighten to the arm, using care not to scratch the finish.

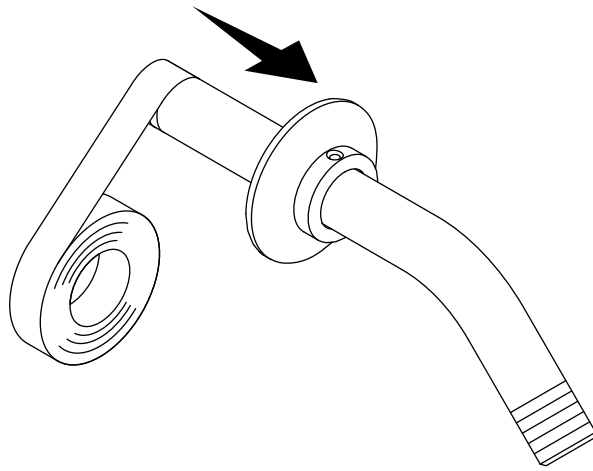
1



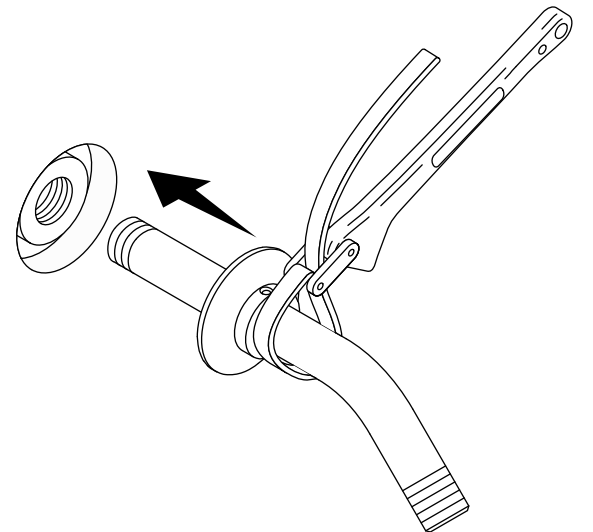
2



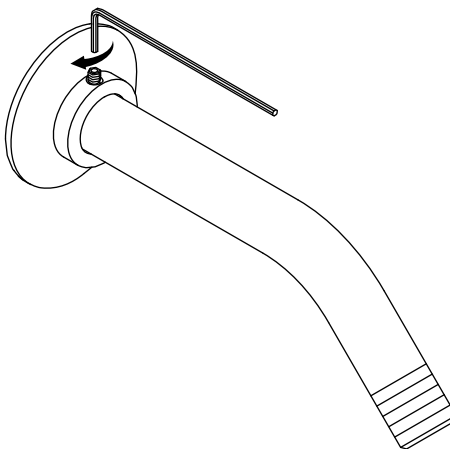
3



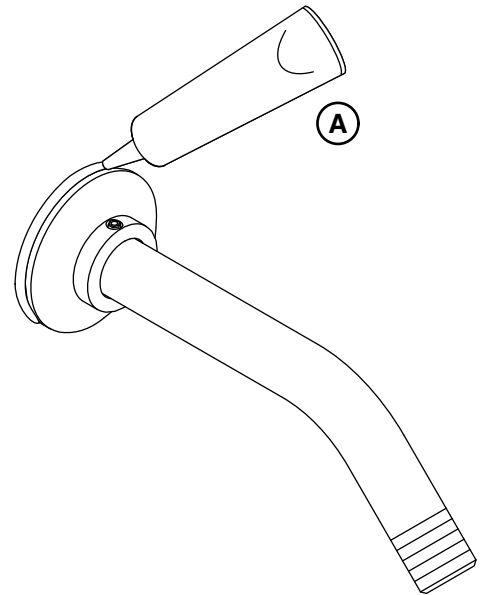
4



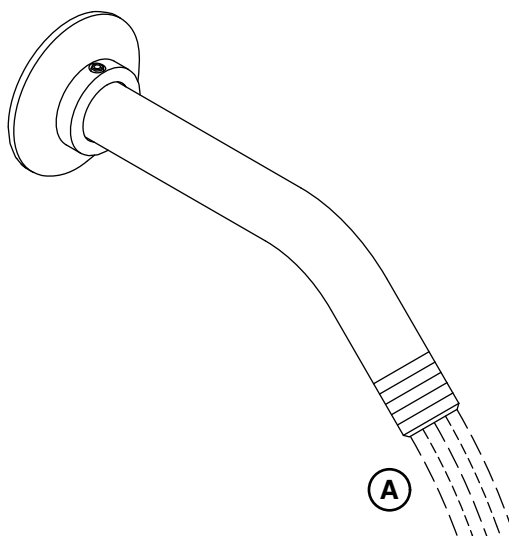
5



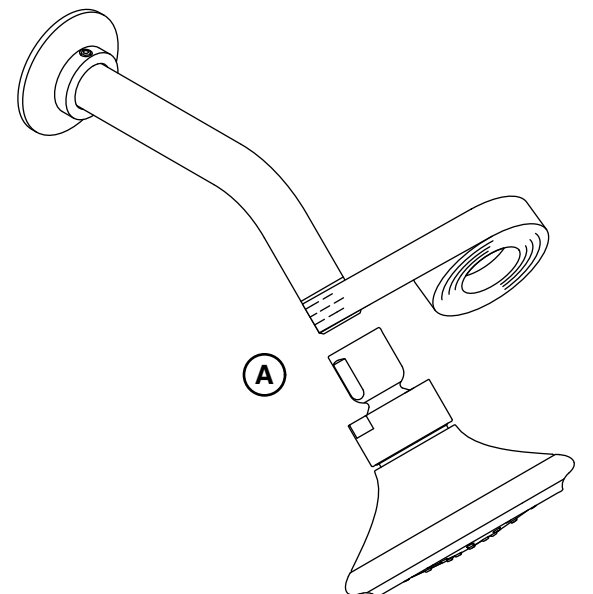
6



7



8



Questions? Problems? For additional assistance, please contact KALLISTA's Customer Service Department at 1-888-4-KALLISTA (1-888-452-5547) or kallista.com.

INSTALLATION INSTRUCTIONS

P21650, P21660, P24452, P24453,
P24454, P24456, P24743, P24745,
P24746, P24761, P24843

INSTALLATION INSTRUCTIONS

THANK YOU FOR CHOOSING KALLISTA

We appreciate your commitment to KALLISTA quality products. Please take a moment to review this manual before you install your KALLISTA product. If you encounter any installation or performance problems, please do not hesitate to contact us at the phone number listed at the bottom of the page.

BEFORE YOU BEGIN

⚠️ WARNING: Risk of scalding. High water temperature can cause severe burns. Set the water temperature at or below 120°F (49°C) following the adjustment procedure in the valve Installation Instructions.

⚠️ CAUTION: Risk of scalding. KALLISTA low-flow showerheads/handshowers are designed for use with compatible KALLISTA valves. When installing a low-flow product to an existing showering system, verify compatibility before showering. Do not use this KALLISTA low-flow product with a shower valve that allows the water temperature to become too hot when other plumbing products are used.

Prior to using your shower, verify your new showerhead/ handshower is compatible with your shower valve (located behind the wall):

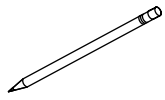
- While standing outside the shower, turn on the shower valve. Do not step into the shower.
- Adjust the water to your typical showering temperature.
- Have someone flush the nearest toilet.
- With your hand, carefully check the water temperature from the showerhead/handshower while the toilet is refilling.
- If the water becomes significantly more hot, you will need to replace the shower valve with a compatible KALLISTA valve or return your showerhead/handshower.

NOTE: Plumbing codes may require a vacuum breaker be installed in-line to handshowers. Please consult with local plumbing codes.

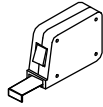
- Carefully plan the location of the wall supply elbow and fixed wall bracket to avoid the possibility of the handshower hose interfering with the operation of any faucets and/or drains, etc.
- Please read all instructions before you begin.
- Observe all local plumbing and building codes.
- Shut off the water supply.
- Inspect the supply piping for damage. Replace as necessary.
- KALLISTA reserves the right to make revisions in the design of products without notice, as specified in the Price Book.

INSTALLATION INSTRUCTIONS

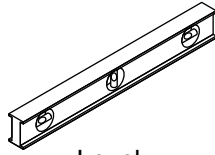
TOOLS AND MATERIALS



Pencil



Tape Measure



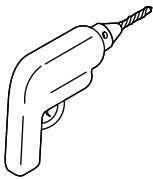
Level



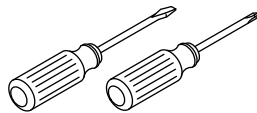
Hex Wrench



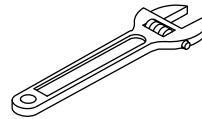
Thread Sealant



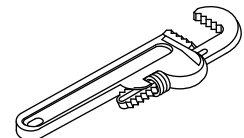
Drill



Assorted Screwdrivers

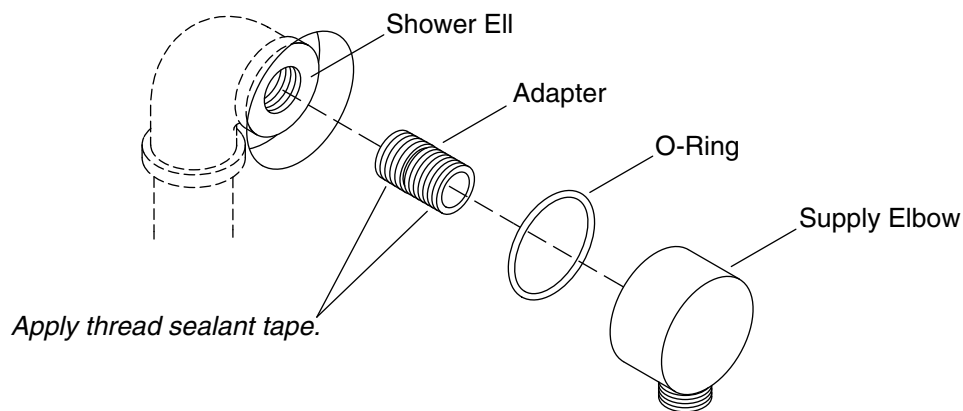


Adjustable Wrench



Pipe Wrench

1. INSTALL THE SUPPLY ELBOW (P24452)



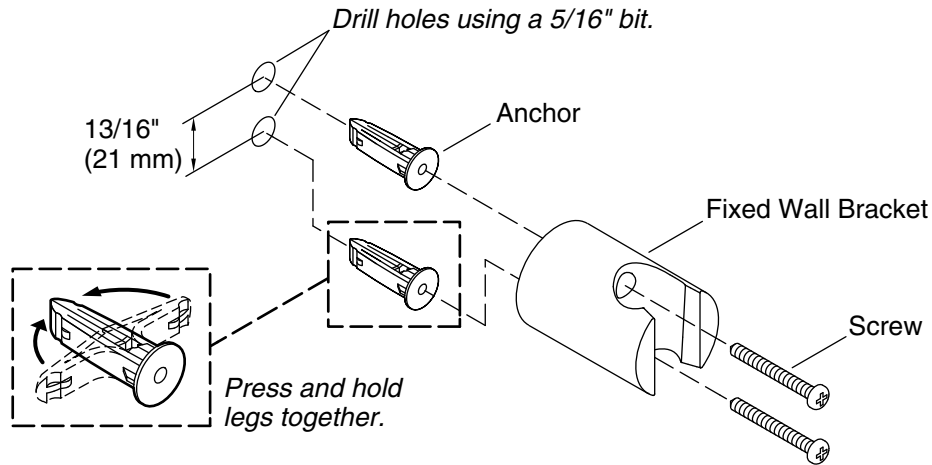
- Install a temporary nipple into the shower ell.
- Run water through the system to flush out dirt and debris.
- Remove the temporary nipple from the shower ell.
- Apply several layers of sealant tape around the straight end of the threaded adapter.
- Install the threaded adapter into the supply elbow.

NOTE: A hex wrench can be used to tighten the threaded adapter.

- Apply several layers of sealant tape around the exposed tapered end of the threaded adapter.
- Install the O-ring into the back of the supply elbow.
- Thread the adapter and supply elbow onto the shower ell.
- Turn on the water and allow water to flow through the supply elbow.
- Check connection for leaks. Repair as needed.

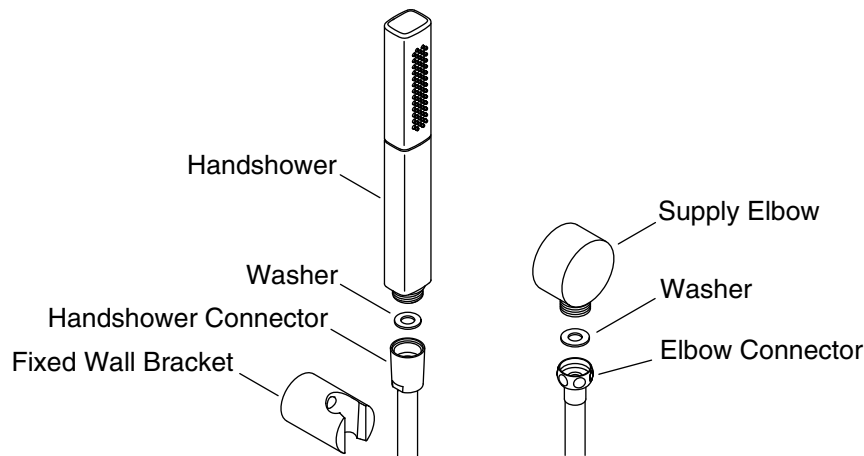
INSTALLATION INSTRUCTIONS

2. INSTALL THE FIXED WALL BRACKET (P24453)



- Determine the location for the fixed wall bracket.
- Mark the hole locations for the wall anchors.
- Drill the holes and install the wall anchors.
- Attach the fixed wall bracket to the wall with the screws.

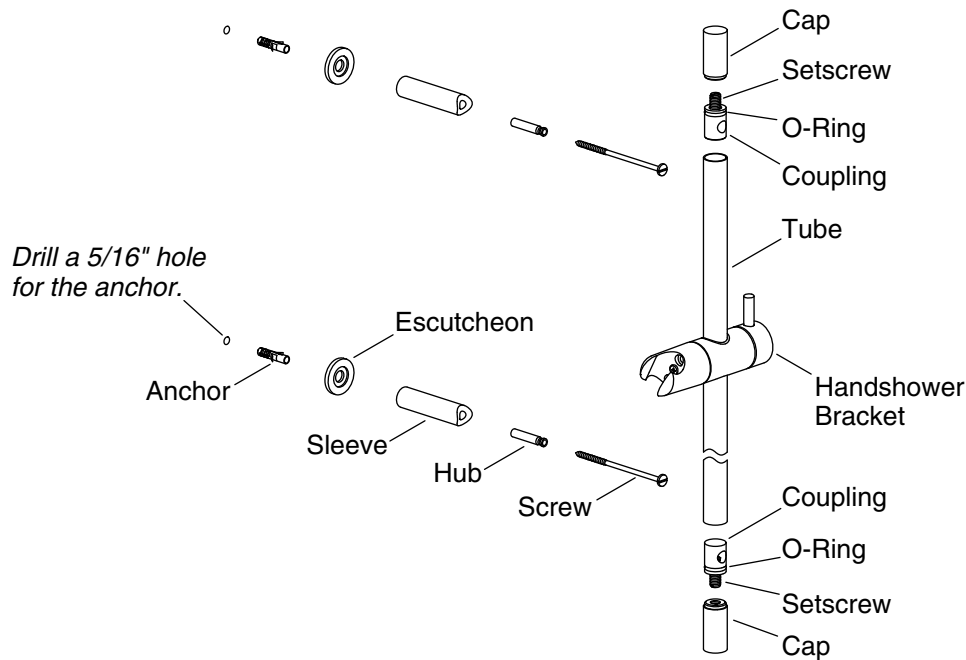
3. INSTALL THE HANDSHOWER AND HOSE



- Insert a washer into the elbow connector end of the shower hose.
- Attach the shower hose to the supply elbow. Run cold and hot water through the shower hose to flush out dirt and debris.
- Insert the other washer into the threads of the handshower connector.
- Thread the handshower into the shower hose. Tighten with an adjustable wrench.
- Turn on the water. Check for leaks and smooth operation.
- Place the handshower in the fixed wall bracket.

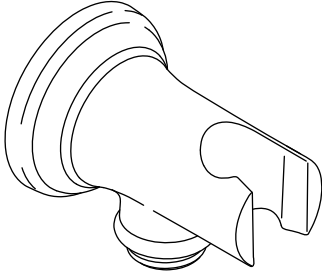
INSTALLATION INSTRUCTIONS

4. INSTALL THE OPTIONAL SLIDEBAR (P24456)

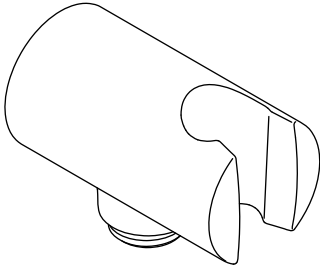


- Determine the location for the slidebar.
- Mark the hole locations for the wall anchors.
- Drill the holes and install the wall anchors.
- Attach the escutcheons, sleeves, and hubs with the screws.
- Slide the handshower bracket onto the tube.
- Insert the couplings into the ends of the tube. Line up the holes in the tube with the holes in the couplings.
- Place the tube over the sleeves.
- Tighten the setscrews so they engage with the groove in the hubs.
- Screw the caps onto the exposed ends of the setscrews.

INSTALLATION INSTRUCTIONS



P21651



P21652

INSTALLATION INSTRUCTIONS

THANK YOU FOR CHOOSING KALLISTA

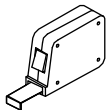
We appreciate your commitment to KALLISTA quality products. Please take a moment to review this manual before you install your KALLISTA product. If you encounter any installation or performance problems, please do not hesitate to contact us at the phone number listed at the bottom of the page.

BEFORE YOU BEGIN

NOTE: Plumbing codes may require a vacuum breaker be installed in-line to handshowers. Please consult with local plumbing codes.

- Carefully plan the location of the wall bracket to avoid the possibility of the handshower hose interfering with the operation of any faucets and/or drains, etc.
- Please read all instructions before you begin.
- Observe all local plumbing and building codes.
- Shut off the water supply.
- Inspect the supply piping for damage. Replace as necessary.
- KALLISTA reserves the right to make revisions in the design of products without notice, as specified in the Price Book.

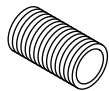
TOOLS AND MATERIALS



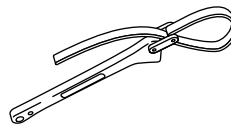
Tape Measure



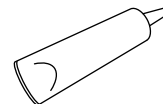
Sealant Tape



1/2" NPT Nipple



Strap Wrench



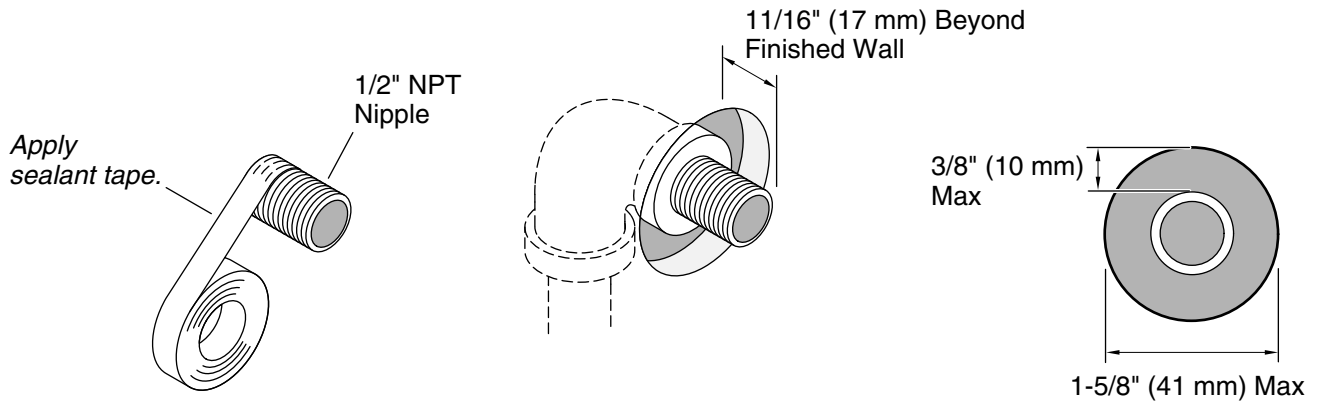
Clear Sealant



Rags

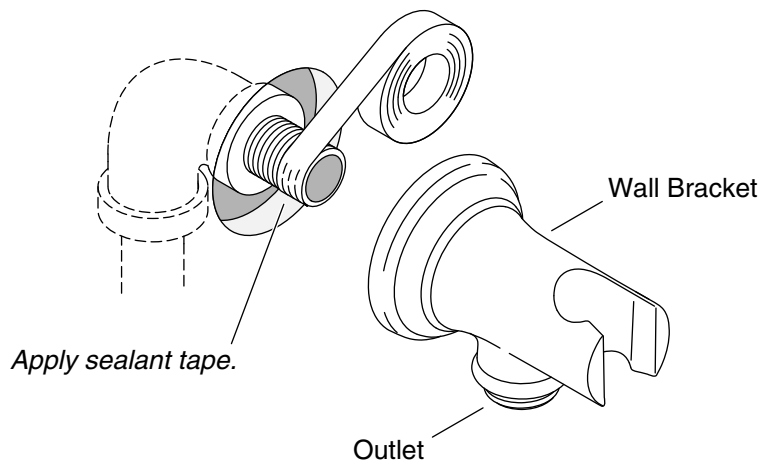
INSTALLATION INSTRUCTIONS

1. INSTALL THE PIPE NIPPLE

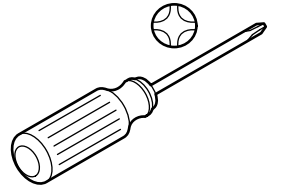
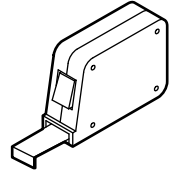


- Apply sealant tape to one end of a 1/2" NPT nipple.
- Install the nipple to extend 11/16" (17 mm) beyond the finished wall.
- Ensure the gap between the nipple and finished wall is no more than 3/8" (10 mm).

2. INSTALL THE WALL BRACKET



- Apply sealant tape to the exposed threads of the nipple.
- Thread the wall bracket onto the nipple.
- Using a clean strap wrench, tighten the bracket flush to the wall with the outlet oriented down.
- Apply a bead of clear sealant around the perimeter of the bracket.
- Turn on the water and allow water to flow through the bracket to flush out debris.
- Check connection for leaks. Repair as needed.



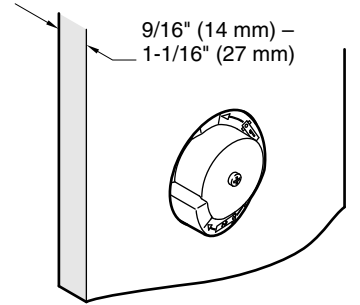
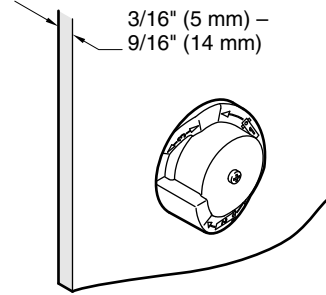
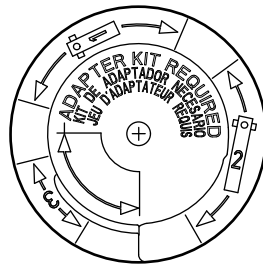
Record your model number below for future reference:

Important Information
Observe all local plumbing and building codes.

1 Determine the valve stem adapter length. Refer to the plaster guard.

Thin Wall: Use the #3 adapter and the 13/16" (21 mm) screw.

Standard Wall: Use the #1 adapter and the 13/16" (21 mm) screw.



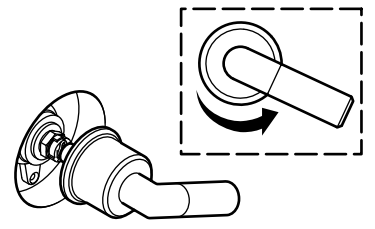
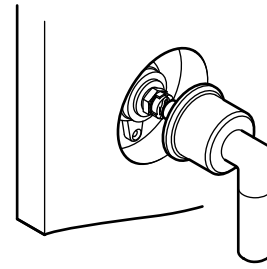
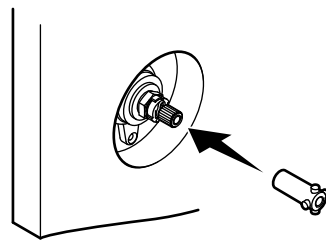
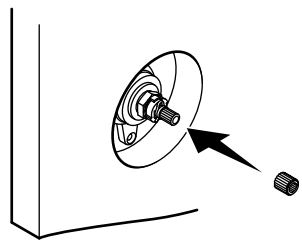
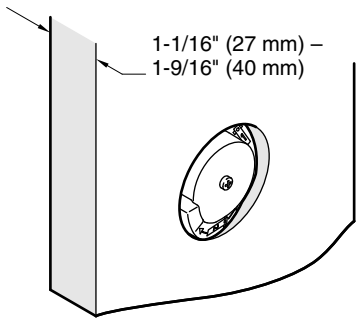
Thick Wall: Use the #2 adapter and the 1-3/8" (35 mm) screw.

2 Remove the plaster guard. Place the spline adapter on the valve stem.

3 Temporarily fit the valve stem adapter on the spline adapter.

4 Position the handle on the valve stem adapter.

5 2-way valve: Water should flow from the main shower accessory with the handle position at 4 o'clock.



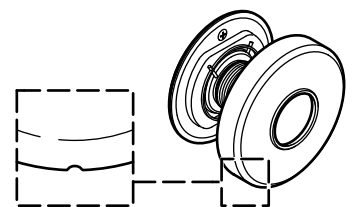
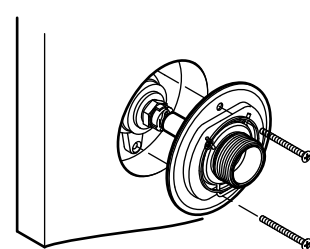
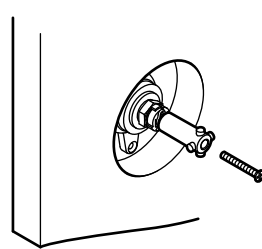
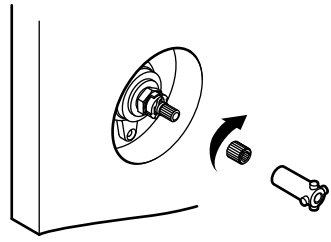
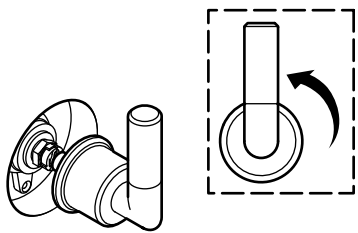
3-way valve: Water should flow from the main shower accessory with the handle position at 12 o'clock.

6 To adjust position, remove the handle and valve stem adapter. Turn the spline adapter.

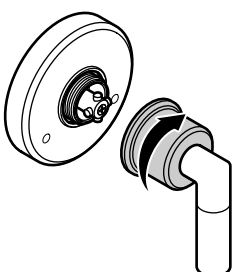
7 Secure the valve stem adapter with the proper length screw.

8 Secure the plate assembly to the valve with proper length screws. **Do not overtighten.**

9 Fit the faceplate over the plate assembly with the notch down.



10 Point the handle down. Thread the bonnet onto the hub.



FIVE-YEAR LIMITED WARRANTY

All Kallista products carry Kallista's five-year limited warranty unless otherwise noted.*

Kallista products are warranted to be free of defects in material and workmanship for five years from the date of installation.

Kallista will, at its election, repair, replace, or make appropriate adjustment where Kallista inspection discloses any such defects occurring in normal usage within five (5) years after installation.

Kallista is not responsible for removal or installation costs.

Damages due to improper handling, installation or maintenance are not considered manufacturing defects and are not covered by this warranty. This warranty is valid for the original consumer purchaser only. Use of in-tank toilet cleaners will void the warranty.

To obtain warranty service, contact your Kallista Authorized Showroom.

IMPLIED WARRANTIES INCLUDING THAT OF MERCHANTABILITY AND FITNESS FOR A PARTICULAR PURPOSE ARE EXPRESSLY LIMITED IN DURATION TO THE DURATION OF THIS WARRANTY. KALLISTA AND/OR SELLER DISCLAIMS ANY LIABILITY FOR SPECIAL, INCIDENTAL, OR CONSEQUENTIAL DAMAGES. Some states/provinces do not allow limitations on how long an implied warranty lasts, or the exclusion or limitation of special, incidental or consequential damages, so these limitations and exclusions may not apply to you. This warranty gives you specific legal rights. You may also have other rights which vary from state/province to state/province.

This is Kallista's exclusive written warranty.

* Kallista's Hampstead and Stafford vitreous products, stainless steel accessories, and wooden accessories carry a one-year Limited Warranty.

Questions? Problems? For additional assistance, please contact KALLISTA's Customer Service Department at 1-888-4-KALLISTA (1-888-452-5547) or kallista.com.

Installation Guide

3-Way/2-Way Transfer Valve

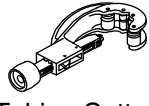
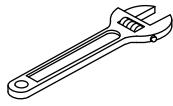
KALLISTA.

1091987-2-E

Thank You For Choosing Kallista

We appreciate your commitment to KALLISTA quality products. Please take a moment to review this manual before you install your KALLISTA product. If you encounter any installation or performance problems, please do not hesitate to contact us from within the USA or Canada at 1-888-4-KALLISTA (1-888-452-5547).

Tools and Materials



Tubing Cutter

Sealant Tape



Hex Wrench



Propane Torch



Solder

Plus:

- 1/2" Copper tubing or piping for outlets
- 3/4" Copper tubing or piping for inlets
- 1/2" NPT plug

Before You Begin



WARNING: Risk of scalding. High water temperature can cause severe burns. Set the water temperature at or below 120°F (49°C) following the adjustment procedure.

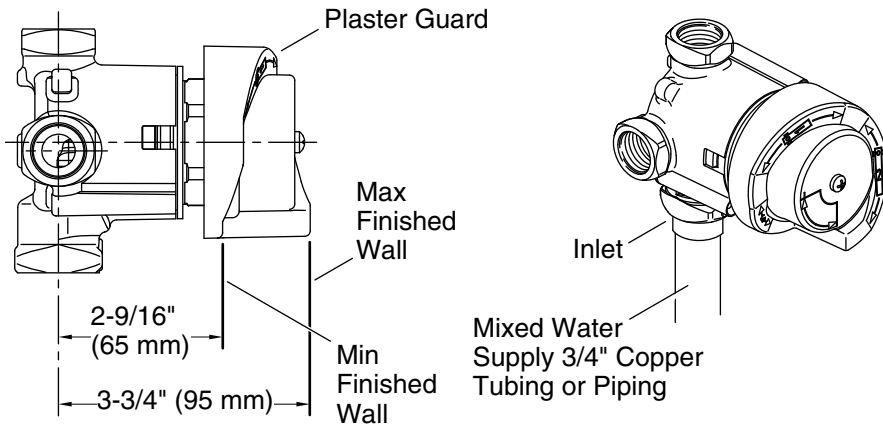
IMPORTANT! Risk of product damage. Do not apply direct heat to the valve. Excessive heat will damage the plastic components and plaster guard.

IMPORTANT! This valve is not intended to be used as a shut-off valve. If fewer than three accessories will be installed, complete the 2-way conversion before plugging any outlets.

- Observe all local plumbing and building codes.
- Do not remove the plaster guard until instructed to do so.
- A mixed water supply is required for this valve.
- Read these instructions and plan the installation before beginning. Component location, spacing, and situational requirements can vary.
- Shut off the water supply.

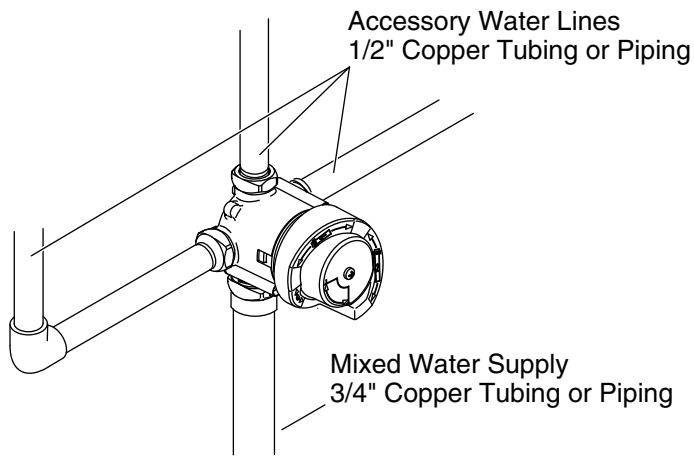
Before You Begin (cont.)

- Inspect the waste and supply tubing; replace if necessary.



1. Prepare the Site

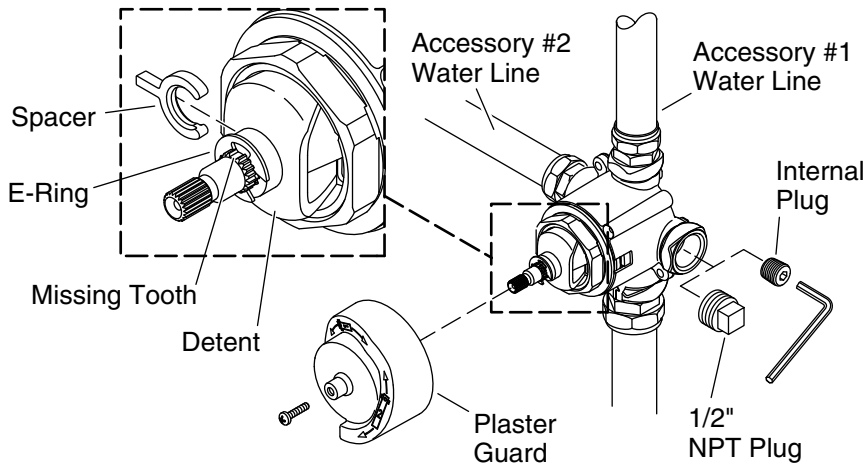
- Provide a 2-7/8" (73 mm) to 3-1/8" (79 mm) diameter hole in the wall material for the plaster guard.
- Route a 3/4" mixed water supply line to the transfer valve location.
- Apply sealant tape to the inlet port threads.
- Connect the water supply to the transfer valve inlet.
- **2-way:** If two accessories will be attached to the valve, go to the "Installation for 2-Way" section.
- **3-way:** If three accessories will be attached to the valve, go to the "Installation for 3-Way" section.



2. Installation for 3-Way

IMPORTANT! Do not remove the internal plug from the valve body. The plug connects the left and right ports, allowing either to be used for an additional accessory.

- Install 1/2" copper tubing or piping for all accessories. Securely fasten the piping and outlet elbows to the framing.
- Install temporary 1/2" nipples in the outlet elbows so that they extend a minimum of 2" (51 mm) beyond the finished wall.
- Turn on the water supply to the valve. Check for leaks and proper operation. Once verified, turn off the water.
- Install caps on the temporary bath and shower nipples.
- Turn on the water supply. Check for leaks. Once verified, turn off the water.
- Complete the finished wall.
- Install the trim according to the installation instructions packed with the trim.



3. Installation for 2-Way

IMPORTANT! This valve is not intended to be used as a shut-off valve. Complete the 2-way conversion before plugging any outlets.

2-Way Conversion

- Temporarily remove the plaster guard.
- Rotate the detent until positioned vertically.
- Verify that the missing tooth is oriented up.

IMPORTANT! If the internal plug is not removed, the finished wall will need to be removed to perform this step at a later date.

- Using a 1/4" hex wrench, remove and discard the internal plug from inside the valve body.
- Plug the unused port (left or right) with a 1/2" NPT plug (not included).
- Using pliers, remove the spacer from the detent.
- Push the detent in, ensuring that the points of the detent engage with the notches of the valve cartridge.
- Install the spacer between the detent and E-ring.

Install the 2-Way Valve

- Install 1/2" copper tubing or piping for both accessories. Securely fasten the piping and outlet elbows to the framing.

Installation for 2-Way (cont.)

- Install temporary 1/2" nipples in the outlet elbows so they extend a minimum of 2" (51 mm) beyond the finished wall.

IMPORTANT! When testing P29513 operation, water should flow as follows: Accessory 1, Accessories 1 and 2, Accessory 2. If water flows as: Accessory 2, Accessory 2, Accessories 1 and 2; you will need to remove the spacer, rotate the detent 180 degrees, then reinstall the spacer.

IMPORTANT! When testing K-737 operation, water should flow as follows: Accessory 1, Accessory 2. Combined functionality will not work.

NOTE: For P29514 only: When the valve is turned midway between the two outlet ports, water flow from the ports will reduce to a trickle.

- Turn on the water supply to the valve. Check for leaks and proper operation. Once verified, turn off the water.
- Install caps on the temporary bath and shower nipples.
- Turn on the water supply. Check for leaks. Once verified, turn off the water.
- Complete the finished wall.
- Install the trim according to the installation instructions packed with the trim.

USA/Canada: 1-888-4-KALLISTA

Fax: 1-888-272-3094

kallista.com

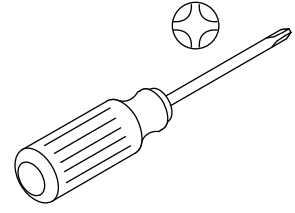
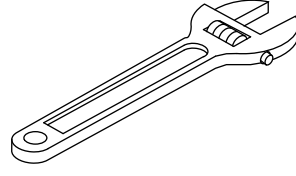
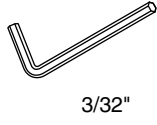
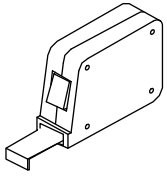
KALLISTA®

©2017 KALLISTA

1091987-2-E

KALLISTA®

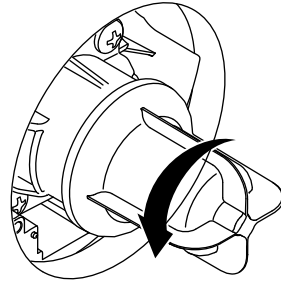
Installation Guide



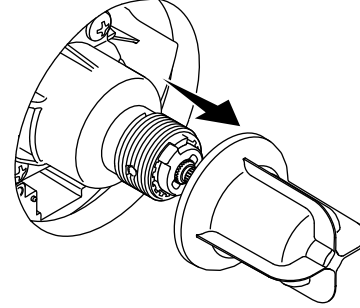
⚠ WARNING: Risk of scalding. High water temperature can cause severe burns. Set the water temperature at or below 120°F (49°C) following the adjustment procedure in the valve Installation and Care Guide.

Record your model number below for future reference: Observe all local plumbing and building codes.

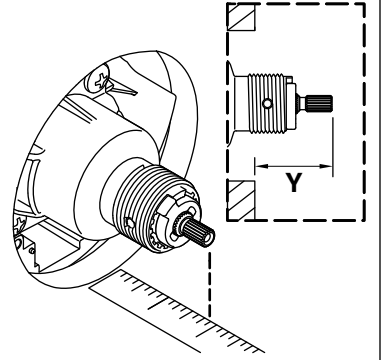
1 Using the guard as a handle, turn the water off.



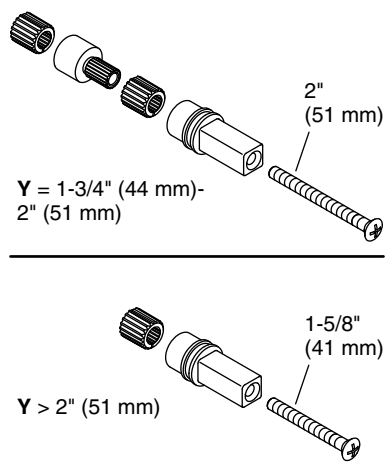
2 Remove the plaster guard.



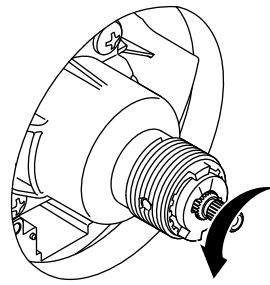
3 Measure dimension "Y" from the finished wall.



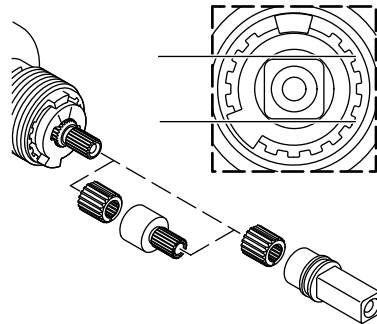
4 Use parts according to dimension "Y."



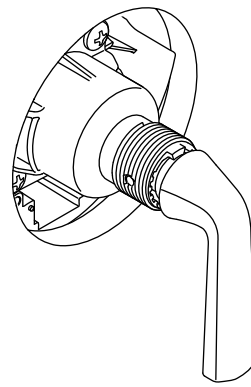
5 Make sure the valve is closed.



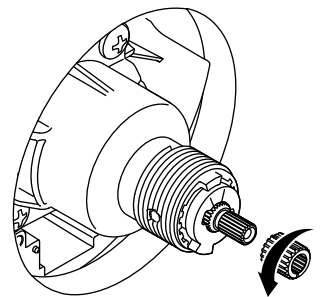
6 Install the correct parts according to "Y." Verify level.



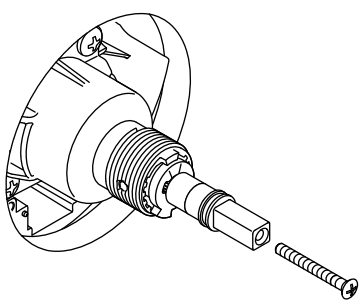
7 Dry fit the handle to confirm vertical alignment.



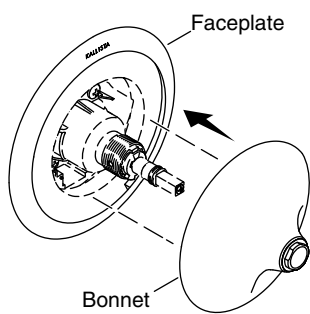
8 To adjust handle position, rotate the adapter one tooth. Repeat until aligned.



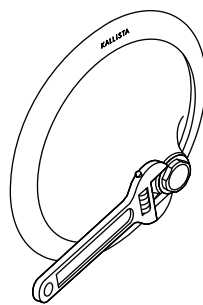
9 Install the correct screw according to dimension "Y."



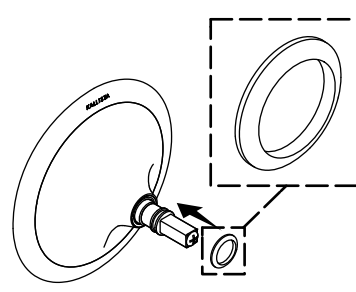
10 Position the faceplate with the logo at the top. Hold the faceplate in place and thread the bonnet onto the valve.



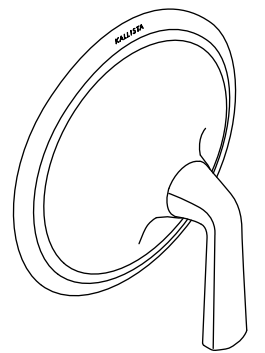
11 Securely tighten the bonnet.



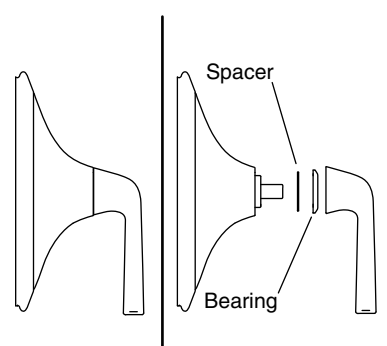
12 Position the bearing on the bonnet, curved side out.



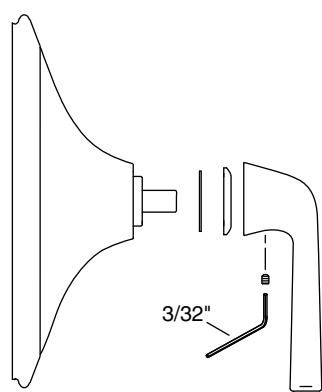
13 Point the handle down and slide onto the stem.



14 If the handle contacts the bonnet, remove the bearing and install a spacer. Reinstall the bearing.



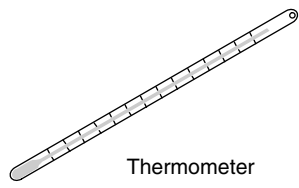
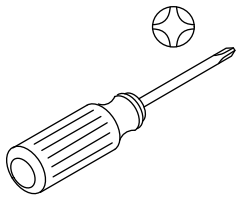
15 Secure the handle with the setscrew.

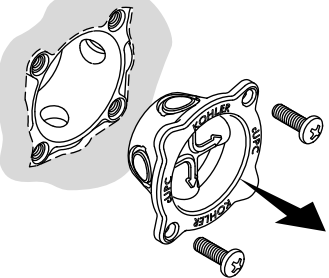
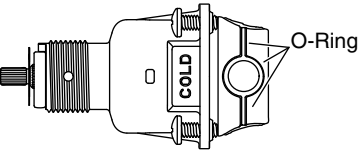
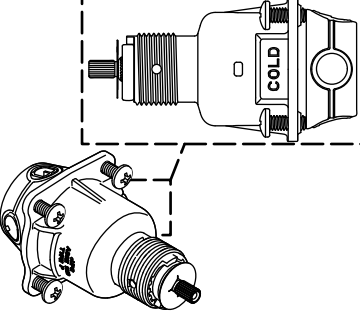
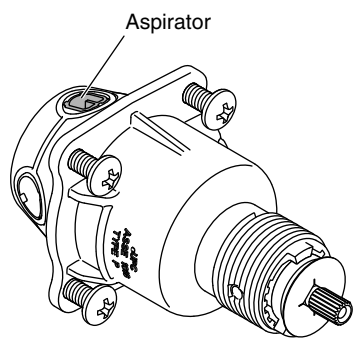
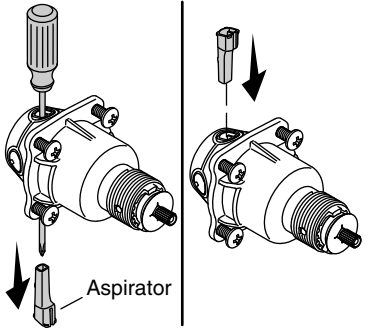
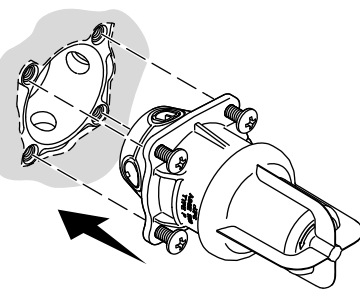
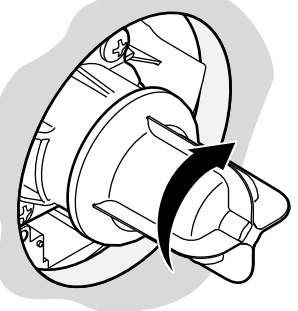
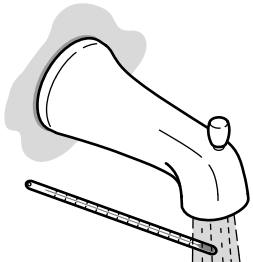
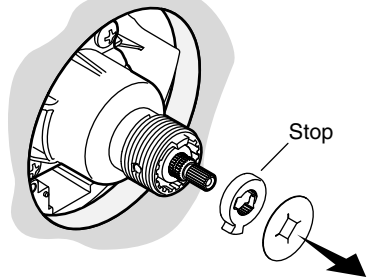
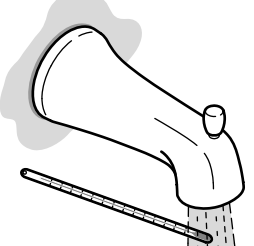
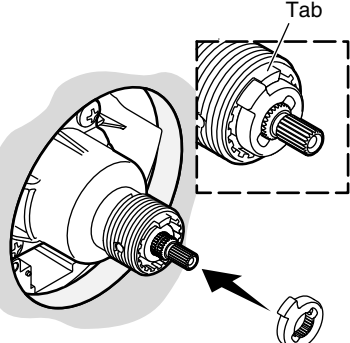
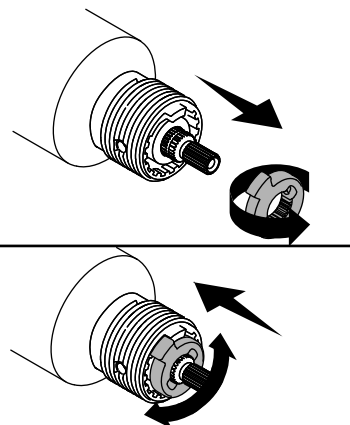
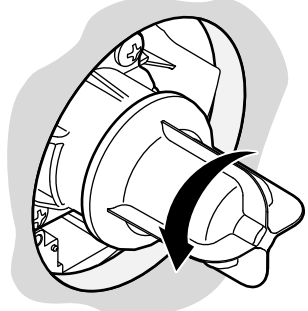
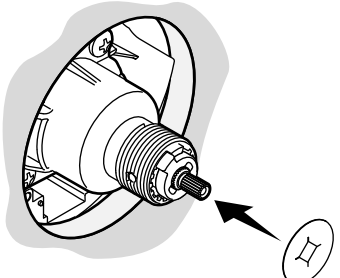


Questions? Problems? For additional assistance, please contact
KALLISTA's Customer Service Department at 1-888-4-KALLISTA
(1-888-452-5547) or kallista.com.

KALLISTA®

Installation Guide

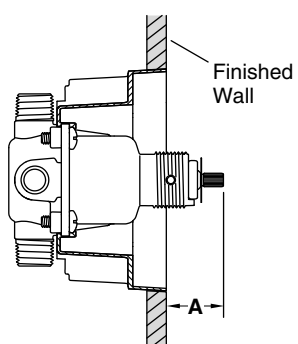


<p>⚠ WARNING: Risk of scalding. High water temperature can cause severe burns. Set the water temperature at or below 120°F (49°C) following the adjustment procedure in this document.</p>	<p>⚠ WARNING: Risk of scalding. This valve will not protect against scalding if incoming water temperature changes significantly during operation.</p>	<p>⚠ CAUTION: Risk of product damage: Use only silicone based lubricants with this product. Other lubricants may cause damage.</p>	<p>Observe all local plumbing and building codes. Record your model number below for future reference:</p>	<p>This valve meets or exceeds ANSI A112.18.1/CSA B125.1/ASSE 1016.</p>
<p>1 Turn off the water supply to the valve. If the test cap is installed, remove it now.</p> 	<p>2 Confirm the O-rings are undamaged and properly seated around each port and the base.</p> 	<p>3 Align the "COLD" mark with the cold water supply.</p> 	<p>4 Confirm the aspirator is aligned with the showerhead outlet. Reverse the aspirator if needed.</p> 	<p>To reverse the aspirator, push it out with a screwdriver and reinstall in the opposite port.</p> 
<p>5 Install the cartridge with the "COLD" port aligned with the cold supply.</p> 	<p>6 Turn on the water supply. Turn the valve stem clockwise to the full hot position.</p> 	<p>⚠ WARNING: Risk of scalding. Do not set the water temperature above 120°F (49°C).</p>	<p>7 Measure the maximum water temperature. If the water is too hot or cold, adjustment is required.</p> 	<p>8 Temperature Adjustment: Remove the plaster guard or trim (not shown) if installed. Remove the warning tag and stop.</p> 
<p>Turn on the water. Adjust the valve stem until the desired maximum temperature is found.</p> 	<p>With the water still on, reinstall the stop against the tab.</p> 	<p>If finer adjustment is needed, reverse the stop.</p> 	<p>Turn off the valve using the plaster guard.</p> 	<p>Reinstall the warning tag. If the finished wall is not installed reinstall the plaster guard (not shown).</p> 

9 Install a deep rough-in kit if “A” is less than 1-1/4" (32 mm).

10 IMPORTANT! To determine the correct deep rough-in kit, go to the www.kallista.com page for this product and refer to the specification sheet.

11 Install the shower trim following the instructions provided with the trim.



FIVE-YEAR LIMITED WARRANTY

All Kallista products carry Kallista's five-year limited warranty unless otherwise noted.*

Kallista products are warranted to be free of defects in material and workmanship for five years from the date of installation.

Kallista will, at its election, repair, replace or make appropriate adjustment where Kallista inspection discloses any such defects occurring in normal usage within five (5) years after installation.

Kallista is not responsible for removal or installation costs.

Damages due to improper handling, installation or maintenance are not considered manufacturing defects and are not covered by this warranty. This warranty is valid for the original consumer purchaser only.

To obtain warranty service, contact your Kallista Authorized Showroom.

Products must be maintained and cleaned in accordance with the care and cleaning instructions provided by Kallista. Improper care or cleaning, including damage from the use of abrasive chemicals, will void this warranty. Gloss reduction, scratching, staining and alkaline etching of finishes over time due to use, cleaning practices or water or atmospheric conditions, are not manufacturing defects but are indicative of normal wear and tear. Use of in-tank toilet cleaners will void the warranty.

Implied warranties including that of merchantability and fitness for a particular purpose are expressly limited in duration to the duration of this warranty. Kallista and/or seller disclaims any liability for special, incidental, or consequential damages.

Some states/provinces do not allow limitations on how long an implied warranty lasts, or the exclusion or limitation of special, incidental or consequential damages, so these limitations and exclusions may not apply to you. This warranty gives you specific legal rights. You may also have other rights which vary from state/province to state/province.

This is Kallista's exclusive written warranty.

* Kallista's Hampstead and Stafford vitreous products, stainless steel accessories, and wooden accessories carry a one-year Limited Warranty.

Questions? Problems? For additional assistance, please contact KALLISTA's Customer Service Department at 1-888-4-KALLISTA (1-888-452-5547) or kallista.com.