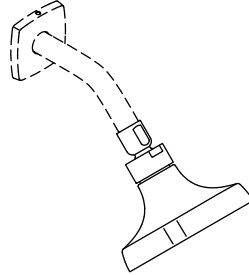


## INSTALLATION INSTRUCTIONS



P24760

## INSTALLATION INSTRUCTIONS

## THANK YOU FOR CHOOSING KALLISTA

We appreciate your commitment to KALLISTA quality products. Please take a moment to review this manual before you install your KALLISTA product. If you encounter any installation or performance problems, please do not hesitate to contact us at the phone number listed at the bottom of the page.

## BEFORE YOU BEGIN

**⚠ CAUTION: Risk of scalding.** KALLISTA low-flow showerheads are designed for use with compatible KALLISTA valves. When installing a low-flow product to an existing showering system, verify compatibility before showering. Do **not** use this KALLISTA low-flow product with a shower valve that allows the water temperature to become too hot when other plumbing products are used.

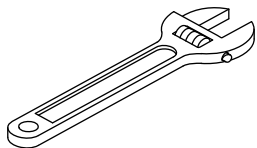
Prior to using your shower, verify your new showerhead is compatible with your shower valve (located behind the wall):

- While standing outside the shower, turn on the shower valve. Do not step into the shower.
- Adjust the water to your typical showering temperature.
- Have someone flush the nearest toilet.
- With your hand, carefully check the water temperature from the showerhead while the toilet is refilling.
- If the water becomes significantly more hot, you will need to replace the shower valve with a compatible KALLISTA valve or return your showerhead.

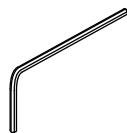
**NOTICE:** For a showerhead rated 2.0 gal/min (7.6 L/min) maximum, use with an automatic compensating valve rated 1.6 gal/min (6.1 L/min) or less.

- Observe all local plumbing and building codes.
- Shut off the main water supply.
- KALLISTA reserves the right to make revisions in the design of products without notice, as specified in the Price Book.

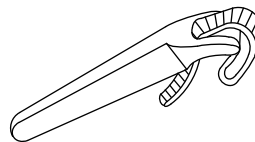
## TOOLS AND MATERIALS



Adjustable  
Wrench



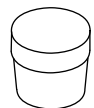
Hex  
Wrench



Strap  
Wrench



Thread  
Sealant

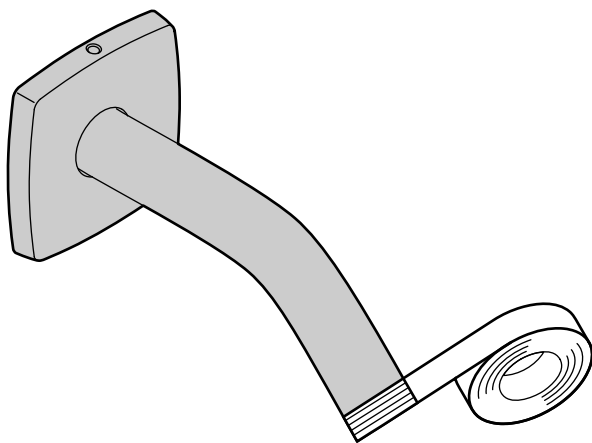


Plumbers  
Putty

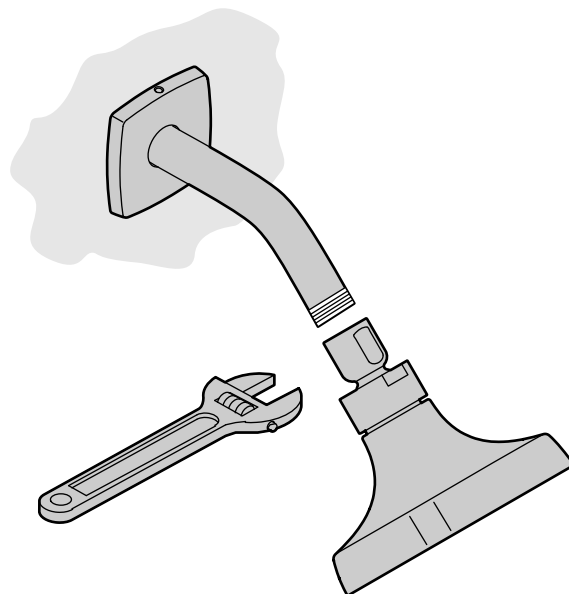
## INSTALLATION INSTRUCTIONS

## INSTALL THE SHOWERHEAD

*Apply thread sealant.*



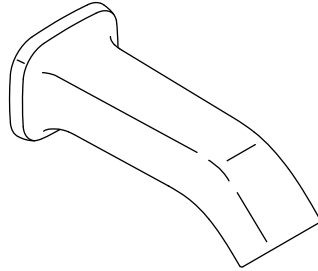
*Thread the showerhead on and tighten.*



- Run cold and hot water through the shower arm for several minutes to flush out dirt and debris.
- Install the showerhead as shown.
- Secure the showerhead to the shower arm using a clean wrench.
- Pivot the showerhead to verify smooth operation.
- Run water through the showerhead to check for leaks between the shower arm and showerhead inlet. Adjust as needed.

### INSTALLATION INSTRUCTIONS

---



P24762

## INSTALLATION INSTRUCTIONS

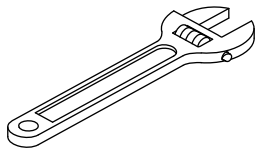
### THANK YOU FOR CHOOSING KALLISTA

We appreciate your commitment to KALLISTA quality products. Please take a moment to review this manual before you install your KALLISTA product. If you encounter any installation or performance problems, please do not hesitate to contact us at the phone number listed at the bottom of the page.

### BEFORE YOU BEGIN

- Observe all local plumbing and building codes.
- Shut off the water supply.
- For roughing-in specifications, please refer to the faucet manufacturer's installation instructions.
- KALLISTA reserves the right to make revisions in the design of products without notice, as specified in the Price Book.

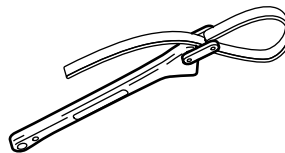
### TOOLS AND MATERIALS



Adjustable  
Wrench



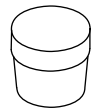
9 mm Hex  
Wrench



Strap  
Wrench



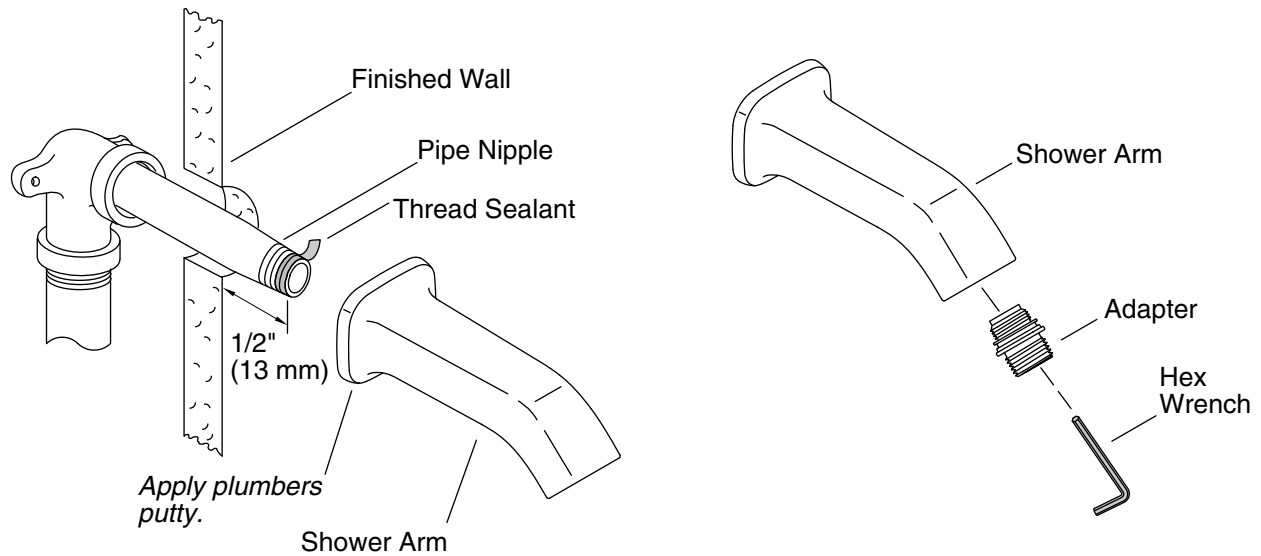
Thread  
Sealant



Plumbers  
Putty

## INSTALLATION INSTRUCTIONS

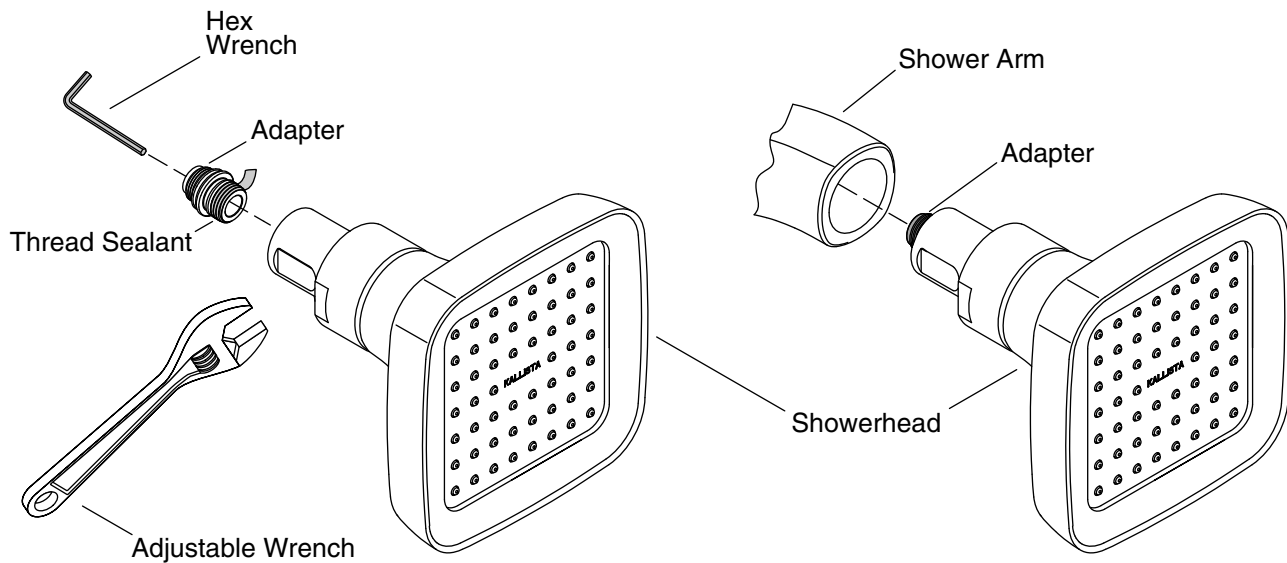
## INSTALL THE SHOWER ARM



- Install a male 1/2" NPT pipe to extend 1/2" (13 mm) beyond the finished wall.
- Apply sealant tape to the exposed threads of the pipe nipple.
- Apply a bead of plumbers putty or other sealant to the back of the shower arm according to the putty manufacturer's instructions.
- Thread the shower arm to the pipe nipple.
- Use a clean strap wrench to securely tighten the shower arm.
- Remove any excess plumbers putty.
- Turn on the water supply.
- Run hot and cold water through the shower arm to flush out dirt and debris.
- Unthread the shower arm adapter from the shower arm using the 9 mm hex wrench.

## INSTALLATION INSTRUCTIONS

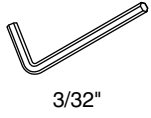
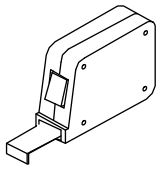
## COMPLETE THE INSTALLATION



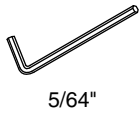
- Apply thread sealant to the shower arm adapter.
- Thread the adapter tightly into the showerhead while securing the ball joint with a wrench. Be careful not to scratch the finish with the wrench.
- Thread the showerhead tightly into the shower arm.
- Check for proper operation.

# KALLISTA®

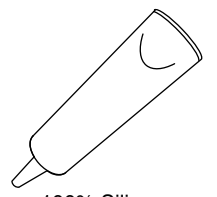
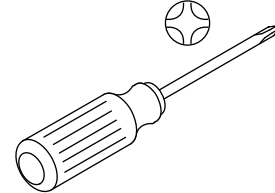
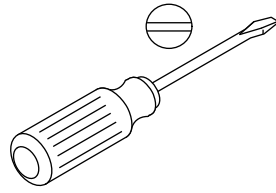
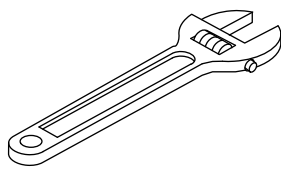
## Installation Guide



3/32"



5/64"

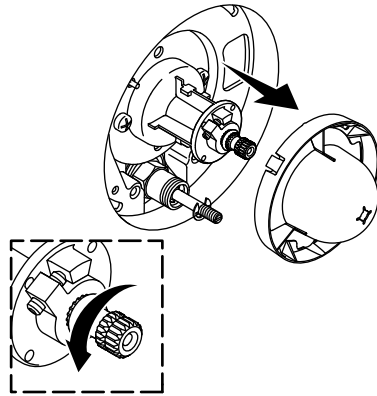


100% Silicone Sealant

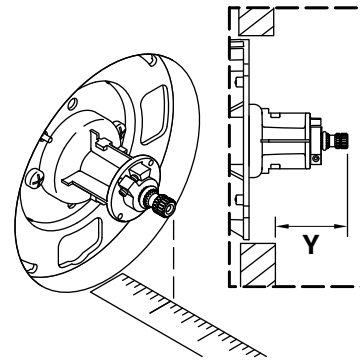
**⚠ WARNING: Risk of scalding.** High water temperature can cause severe burns. Set the water temperature at or below 120°F (49°C) following the adjustment procedure in the valve Installation and Care Guide.

**Record your model number below for future reference:** Observe all local plumbing and building codes.

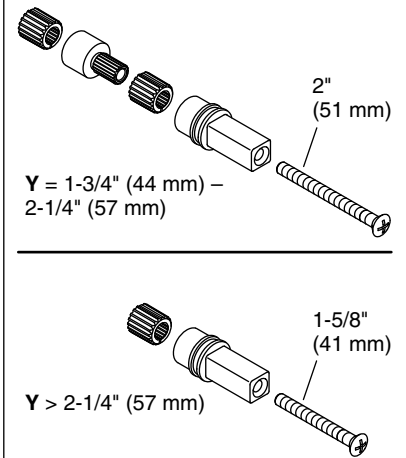
**1** Remove the plaster guard. Rotate the valve stem closed.



**2** Measure "Y" from the finished wall.



**3** Use parts according to dimension "Y."



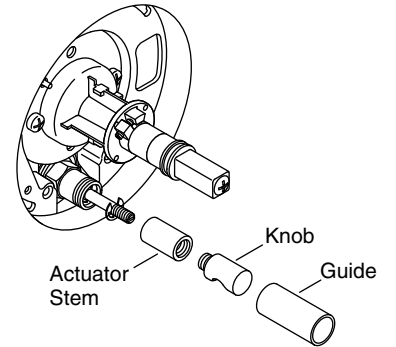
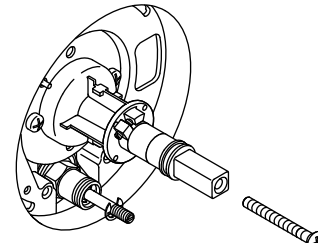
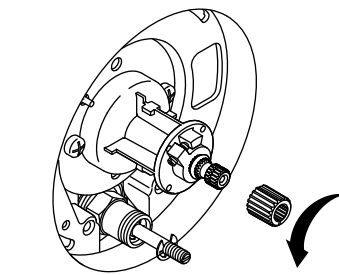
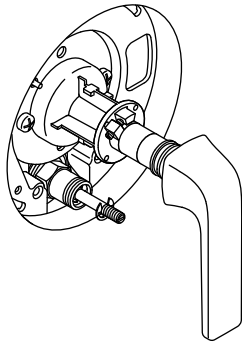
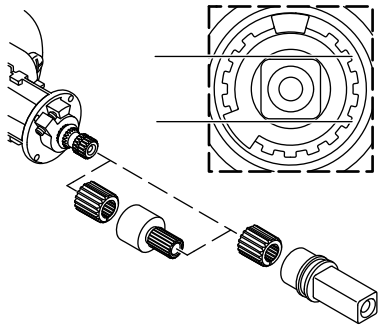
**4** Install the correct parts according to "Y." Verify level.

**5** Dry fit the handle to confirm vertical alignment.

**6** To adjust handle position, rotate the adapter one tooth. Repeat until aligned.

**7** Install the correct screw according to dimension "Y."

**8** Hold the diverter stem and install the actuator stem. Thread the knob onto the actuator stem. Thread the guide onto the diverter housing.



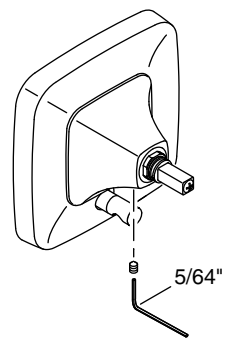
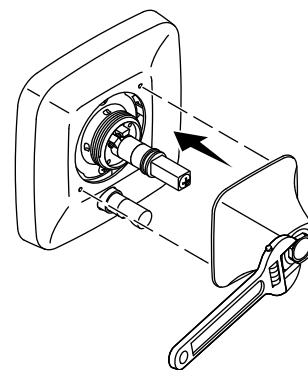
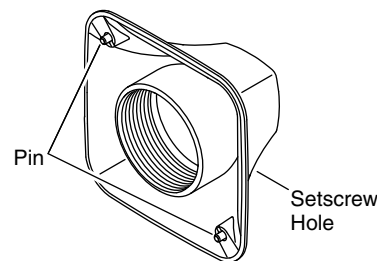
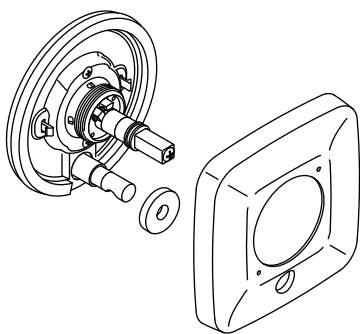
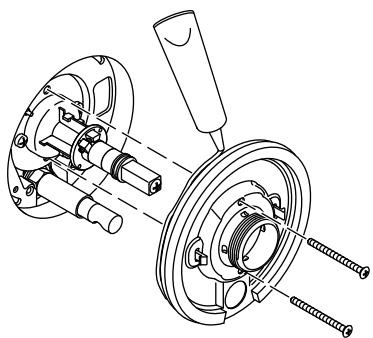
**9** For installation to a tiled wall, apply 100% silicone sealant to the back edge of the seal plate. Slide the seal plate onto the valve and secure. Do not overtighten.

**10** Install the foam gasket over the guide and fit the faceplate over the seal plate.

**11** Align the pins with the holes on the faceplate. Orient setscrew hole down.

**12** Thread the bonnet onto the valve. Securely tighten.

**13** Tighten the setscrew.



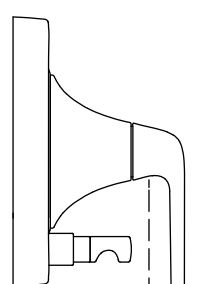
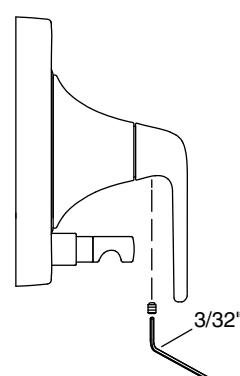
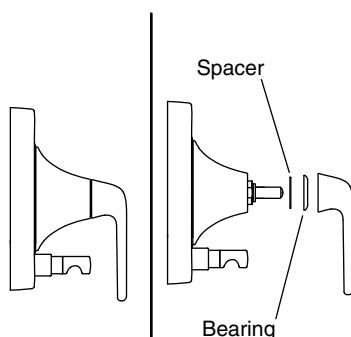
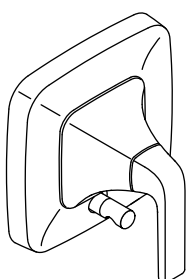
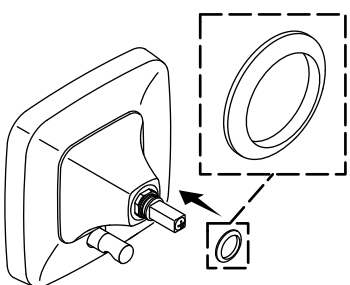
**14** Position the bearing on the bonnet, curved side out.

**15** Point the handle down and slide onto the stem.

**16** If the handle contacts the bonnet, remove the bearing and install a spacer. Reinstall the bearing.

**17** Secure the handle with the setscrew.

**18** Install the plug in the setscrew hole.





**FIVE-YEAR LIMITED WARRANTY**

All Kallista products carry Kallista's five-year limited warranty unless otherwise noted.\*

Kallista products are warranted to be free of defects in material and workmanship for five years from the date of installation.

Kallista will, at its election, repair, replace or make appropriate adjustment where Kallista inspection discloses any such defects occurring in normal usage within five (5) years after installation.

Kallista is not responsible for removal or installation costs.

Damages due to improper handling, installation or maintenance are not considered manufacturing defects and are not covered by this warranty. This warranty is valid for the original consumer purchaser only.

To obtain warranty service, contact your Kallista Authorized Showroom.

Products must be maintained and cleaned in accordance with the care and cleaning instructions provided by Kallista. Improper care or cleaning, including damage from the use of abrasive chemicals, will void this warranty. Gloss reduction, scratching, staining and alkaline etching of finishes over time due to use, cleaning practices or water or atmospheric conditions, are not manufacturing defects but are indicative of normal wear and tear. Use of in-tank toilet cleaners will void the warranty.

**Implied warranties including that of merchantability and fitness for a particular purpose are expressly limited in duration to the duration of this warranty. Kallista and/or seller disclaims any liability for special, incidental, or consequential damages.**

Some states/provinces do not allow limitations on how long an implied warranty lasts, or the exclusion or limitation of special, incidental or consequential damages, so these limitations and exclusions may not apply to you. This warranty gives you specific legal rights. You may also have other rights which vary from state/province to state/province.

**This is Kallista's exclusive written warranty.**

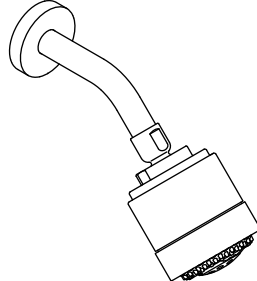
\* Kallista's Hampstead and Stafford vitreous products, stainless steel accessories, and wooden accessories carry a one-year Limited Warranty.

Questions? Problems? For additional assistance, please contact KALLISTA's Customer Service Department at 1-888-4-KALLISTA (1-888-452-5547) or kallista.com.

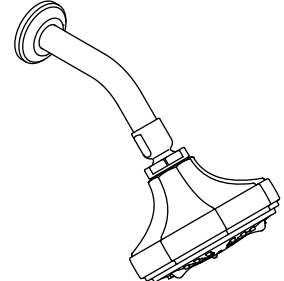
### INSTALLATION INSTRUCTIONS



P21500



P21501



P21542

## INSTALLATION INSTRUCTIONS

## THANK YOU FOR CHOOSING KALLISTA

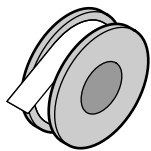
We appreciate your commitment to KALLISTA quality products. Please take a moment to review this manual before you install your KALLISTA product. If you encounter any installation or performance problems, please do not hesitate to contact us at the phone number listed at the bottom of the page.

## BEFORE YOU BEGIN

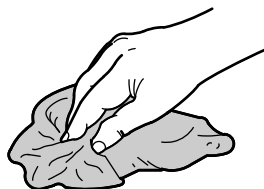
**NOTICE:** Choose an automatic compensating valve with the appropriate minimum flow rating, to assure your valve will provide safety at the lowest flow rates. For a showerhead with a maximum flow rate of 2.0 gal/min (7.6 l/min), use with an automatic compensating valve rated 1.6 gal/min (6.1 l/min) or less.

- Prior to installation, unpack the new showerhead and inspect it for damage. Return the showerhead to its protective carton until you are ready to install it.
- Observe all local plumbing and building codes.
- Shut off the main water supply.
- The finished wall or bath/shower unit must be installed before installing this trim.
- The appearance of your product may differ from what is shown in these instructions, however, the installation procedure is the same.
- KALLISTA reserves the right to make revisions in the design of products without notice, as specified in the Price Book.

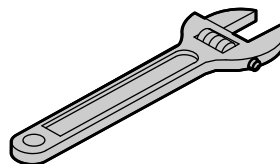
## TOOLS AND MATERIALS



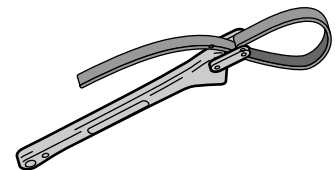
Sealant Tape



Rags



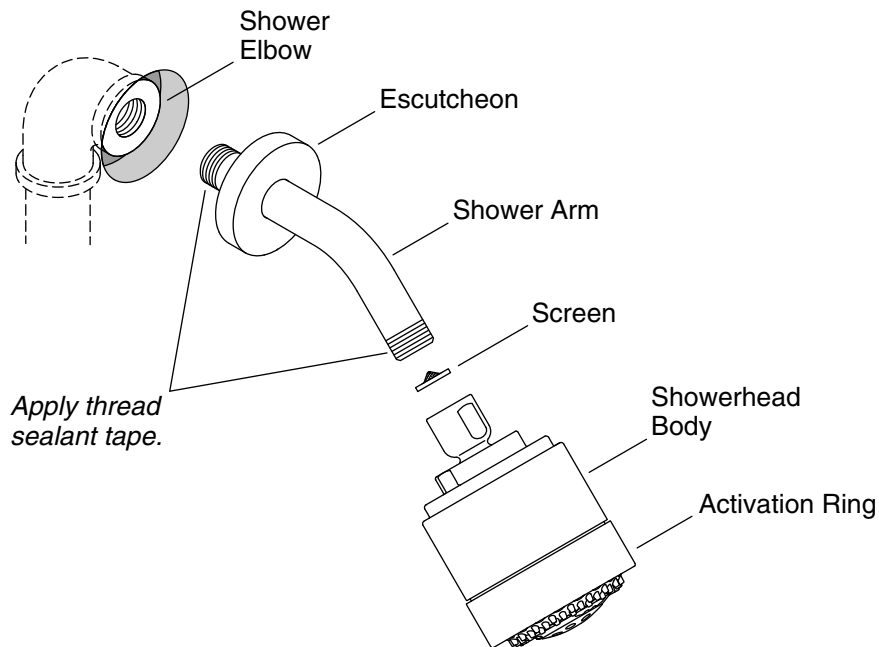
Adjustable Wrench



Strap Wrench

## INSTALLATION INSTRUCTIONS

## INSTALL THE SHOWERHEAD



**CAUTION: Risk of product damage.** To avoid plugging the showerhead spray outlets, use thread sealant tape on the shower arm threads. Do not use thread sealant compound (pipe dope).

- Remove the temporary nipple from the shower elbow.
- Slide the escutcheon onto the shower arm.
- Apply thread sealant tape to the threads and install the shower arm to the shower elbow.
- Carefully tighten the shower arm with a clean strap wrench.
- If desired, apply a bead of clear sealant around the perimeter of the escutcheon.
- Remove any excess sealant.
- With the showerhead off, flush out the system.
- Ensure that the screen is positioned as shown on the showerhead.
- Apply thread sealant tape to the shower arm and thread the showerhead to the shower arm.
- Use a clean adjustable wrench to tighten the showerhead to the arm; be careful not to mar the finish.
- Check for proper operation.

**NOTE:** The ball joint tension may need to be increased if it is not sufficient to hold the showerhead in the desired position. Follow the steps below to adjust the ball joint tension.

- Rotate the function activation ring to the furthest clockwise position.
- Use one hand to hold the showerhead body stationary, then use the other hand to firmly rotate the activation ring further clockwise.
- Check that the showerhead retains the desired position.