

P24760

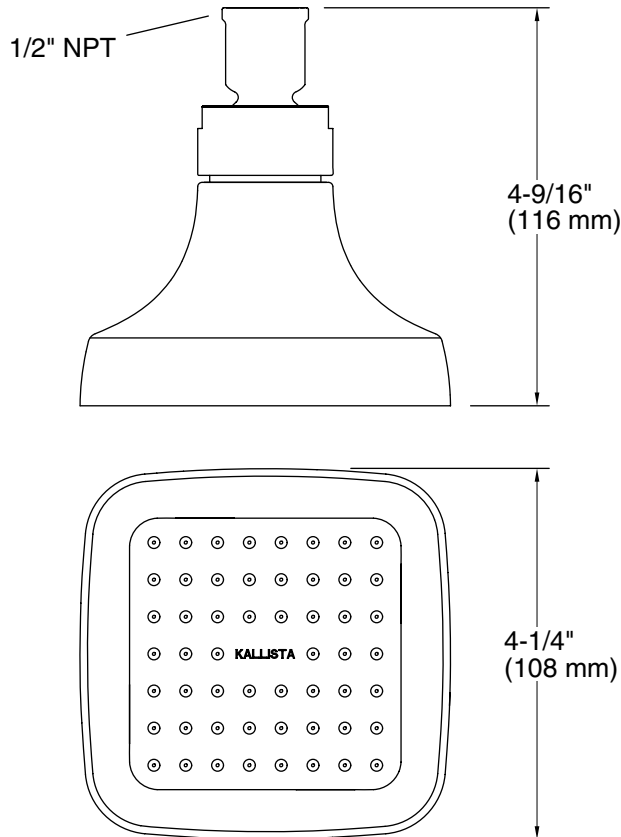


FEATURES

- Single-function showerhead
- Air-induced spray technology
- 1.75 g/min (6.6 l/min) flow rate
- 1/2" NPT connection
- Arm sold separately
- Complements the Per Se collection

CODES/STANDARDS APPLICABLE

- Specified model meets or exceeds the following:
- ASME A112.18.1/CSA B125.1
 - EPA WaterSense® (Pending)



SPECIFIED MODEL				
Model	Description	Finishes		
P24760-00	Per Se Showerhead	<input type="checkbox"/> CP Polished Chrome	<input type="checkbox"/> AD Nickel Silver	<input type="checkbox"/> AF French Gold
		<input type="checkbox"/> AG Brushed Nickel	<input type="checkbox"/> W7 Black Nickel	
Required Arm Options				
P24762-00	Per Se Upgraded Shower Arm and Integral Flange	<input type="checkbox"/> CP Polished Chrome	<input type="checkbox"/> AD Nickel Silver	<input type="checkbox"/> AF French Gold
		<input type="checkbox"/> AG Brushed Nickel	<input type="checkbox"/> W7 Black Nickel	
P24763-00	Per Se Standard Shower Arm and Flange	<input type="checkbox"/> CP Polished Chrome	<input type="checkbox"/> AD Nickel Silver	<input type="checkbox"/> AF French Gold

We reserve the right to make revisions without notice in the design of products or in packaging unless this right has specifically been waived at the time the order is accepted.

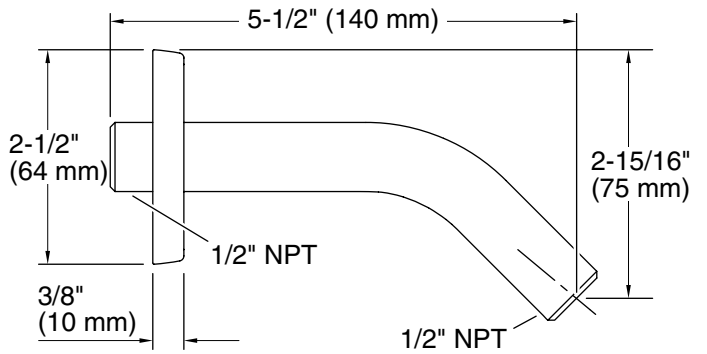
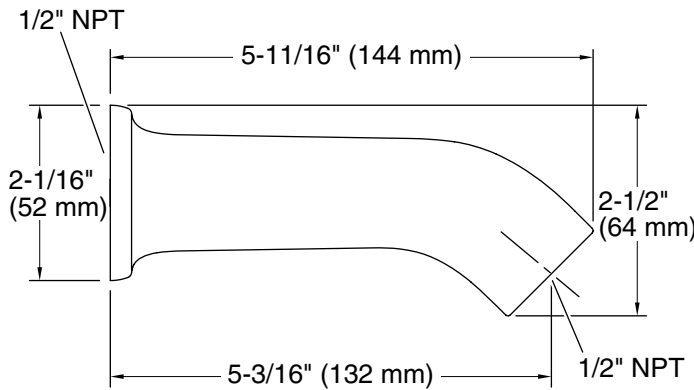
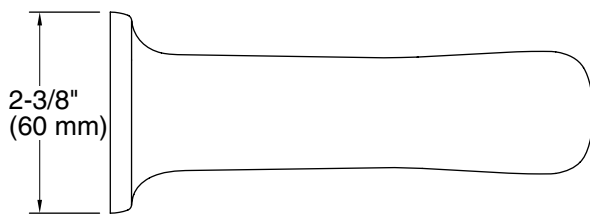
FEATURES

- Solid brass construction for durability and reliability
- 1/2" NPT connection
- Complements the Per Se collection

CODES/STANDARDS APPLICABLE

- Specified model meets or exceeds the following:
- ASME A112.18.1/CSA B125.1

P24762, P24763



P24762

P24763

SPECIFIED MODEL

Model	Description	Finishes				
P24762-00	Per Se Upgraded Shower Arm and Integral Flange	<input type="checkbox"/> CP Polished Chrome	<input type="checkbox"/> AD Nickel Silver	<input type="checkbox"/> AG Brushed Nickel	<input type="checkbox"/> W7 Black Nickel	<input type="checkbox"/> 24K Polished Gold
P24763-00	Per Se Standard Shower Arm and Flange	<input type="checkbox"/> CP Polished Chrome				

We reserve the right to make revisions without notice in the design of products or in packaging unless this right has specifically been waived at the time the order is accepted.

FEATURES

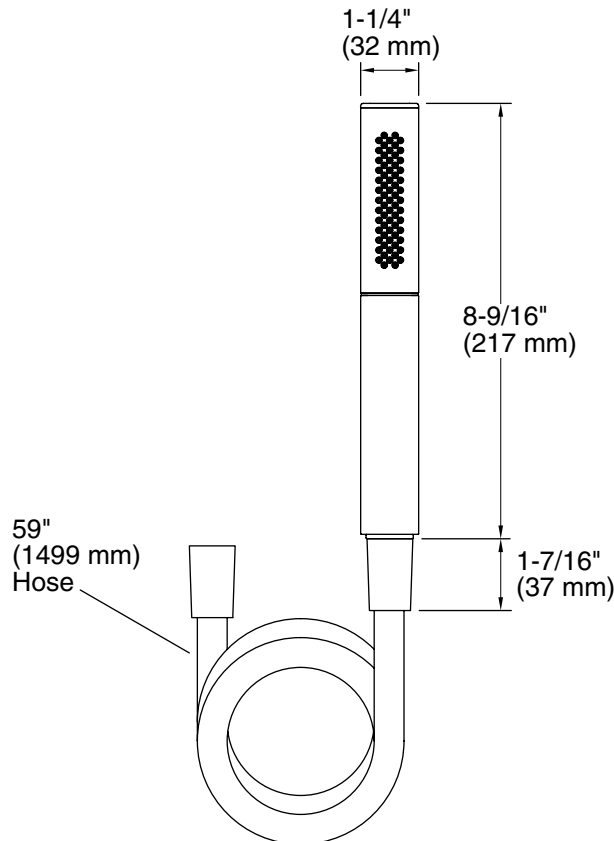
- 1.75 gal/min (6.6 l/min) flow rate
- Two spray options available (wide coverage spray, concentrated spray)
- Sprayface resists hard water build-up and is easy to clean
- 59" (1499 mm) hose included
- Complements Kallista faucets and fixtures

CODES/STANDARDS APPLICABLE

Specified model meets or exceeds the following:

- ASME A112.18.1/CSA B125.1
- EPA WaterSense® (Pending)

P24761



SPECIFIED MODEL

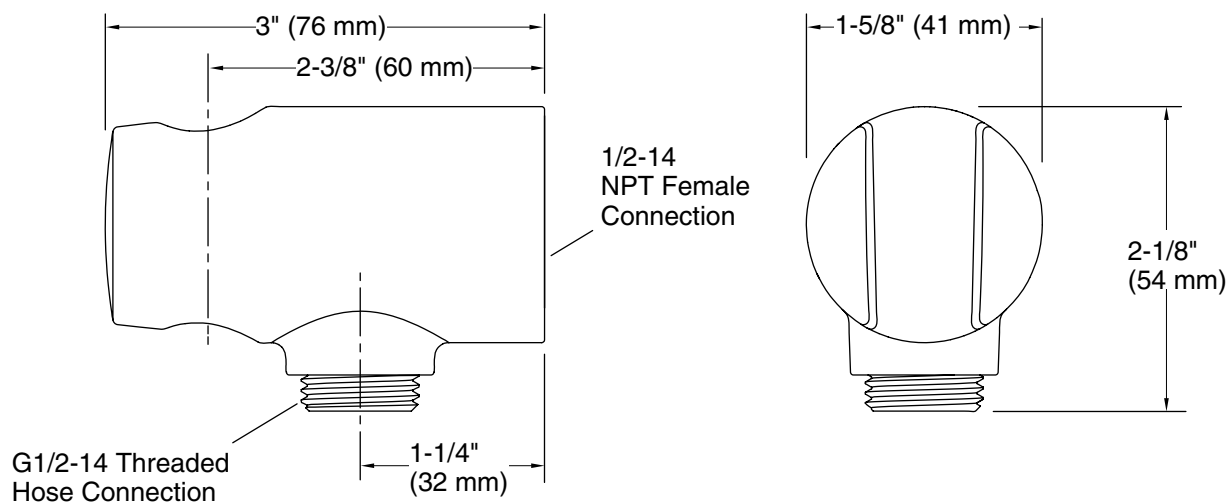
Model	Description	Finishes			
P24761-00	Soft Modern Wand Dual-Function Handshower	<input type="checkbox"/> CP Polished Chrome	<input type="checkbox"/> AD Nickel Silver	<input type="checkbox"/> AG Brushed Nickel	<input type="checkbox"/> LB Bronze
		<input type="checkbox"/> BL Matte Black	<input type="checkbox"/> W7 Black Nickel	<input type="checkbox"/> BV Brushed Bronze	<input type="checkbox"/> GN Gunmetal
Optional Accessories					
P21661-00	Contemporary Wall Supply Elbow	<input type="checkbox"/> CP Polished Chrome	<input type="checkbox"/> AD Nickel Silver	<input type="checkbox"/> AG Brushed Nickel	<input type="checkbox"/> LB Bronze
		<input type="checkbox"/> GN Gunmetal	<input type="checkbox"/> W7 Black Nickel	<input type="checkbox"/> BL Matte Black	
P21663-00	Contemporary Deck-Mount Handshower Mounting Trim	<input type="checkbox"/> CP Polished Chrome	<input type="checkbox"/> AD Nickel Silver	<input type="checkbox"/> AG Brushed Nickel	<input type="checkbox"/> LB Bronze
		<input type="checkbox"/> GN Gunmetal	<input type="checkbox"/> W7 Black Nickel	<input type="checkbox"/> BL Matte Black	
P24453-00	Contemporary Fixed Wall Bracket	<input type="checkbox"/> CP Polished Chrome	<input type="checkbox"/> AD Nickel Silver	<input type="checkbox"/> AG Brushed Nickel	<input type="checkbox"/> LB Bronze
		<input type="checkbox"/> GN Gunmetal	<input type="checkbox"/> W7 Black Nickel	<input type="checkbox"/> BL Matte Black	
P24456-00	Contemporary Slidebar	<input type="checkbox"/> CP Polished Chrome	<input type="checkbox"/> AD Nickel Silver	<input type="checkbox"/> AG Brushed Nickel	<input type="checkbox"/> LB Bronze
		<input type="checkbox"/> GN Gunmetal	<input type="checkbox"/> W7 Black Nickel	<input type="checkbox"/> BL Matte Black	
P21651-00	Traditional Wall Bracket with Integrated Supply Elbow	<input type="checkbox"/> CP Polished Chrome	<input type="checkbox"/> AD Nickel Silver	<input type="checkbox"/> AG Brushed Nickel	
		<input type="checkbox"/> BL Matte Black	<input type="checkbox"/> W7 Black Nickel	<input type="checkbox"/> BV Brushed Bronze	
P21653-00	Traditional Deck-Mount Handshower Trim	<input type="checkbox"/> CP Polished Chrome	<input type="checkbox"/> AD Nickel Silver	<input type="checkbox"/> AG Brushed Nickel	
		<input type="checkbox"/> BL Matte Black	<input type="checkbox"/> W7 Black Nickel	<input type="checkbox"/> BV Brushed Bronze	

We reserve the right to make revisions without notice in the design of products or in packaging unless this right has specifically been waived at the time the order is accepted.

FEATURES

P21652

- Solid metal construction for durability and reliability
- Integrated supply and holder
- Clean look with reduced number of components needed in the shower space
- Complements Contemporary Kallista faucets and fixtures



P21652

SPECIFIED MODEL			
Model	Description	Finishes	
P21652-00	Contemporary Wall Bracket with Integrated Supply Elbow	<input type="checkbox"/> CP Polished Chrome	<input type="checkbox"/> AD Nickel Silver
		<input type="checkbox"/> BZ Antique Bronze	<input type="checkbox"/> GN Gunmetal
		<input type="checkbox"/> LB Bronze	<input type="checkbox"/> W7 Black Nickel

We reserve the right to make revisions without notice in the design of products or in packaging unless this right has specifically been waived at the time the order is accepted.

FEATURES

- Solid metal construction for durability and reliability
- Allows bather to set precise temperature
- Patented K-joint installation ensures consistent trim appearance, regardless of variability in valve rough-in
- Complements the Per Se collection

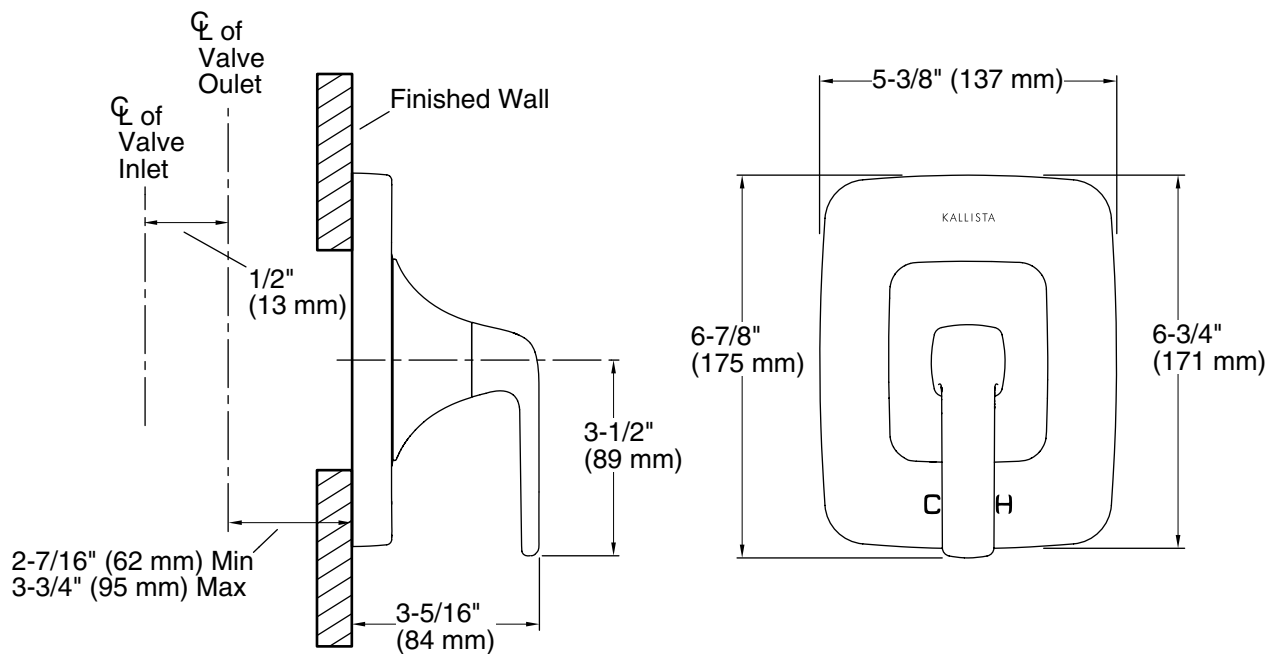
CODES/STANDARDS APPLICABLE

Specified model meets or exceeds the following:

- ASME A112.18.1/CSA B125.1
- ICC/ANSI A117.1
- ADA
- ASSE 1016

P24722

ADA



SPECIFIED MODEL

Model	Description	Finishes				
P24722-LV	Per Se Thermostatic Valve Trim, Lever Handle	<input type="checkbox"/> CP Polished Chrome	<input type="checkbox"/> AD Nickel Silver	<input type="checkbox"/> AG Brushed Nickel	<input type="checkbox"/> W7 Black Nickel	<input type="checkbox"/> 24K Polished Gold
Required Rough-in						
P29512-WS	3/4" Thermostatic Mixing Valve	<input type="checkbox"/> NA				
P29511-WS	1/2" Thermostatic Mixing Valve	<input type="checkbox"/> NA				

We reserve the right to make revisions without notice in the design of products or in packaging unless this right has specifically been waived at the time the order is accepted.

FEATURES

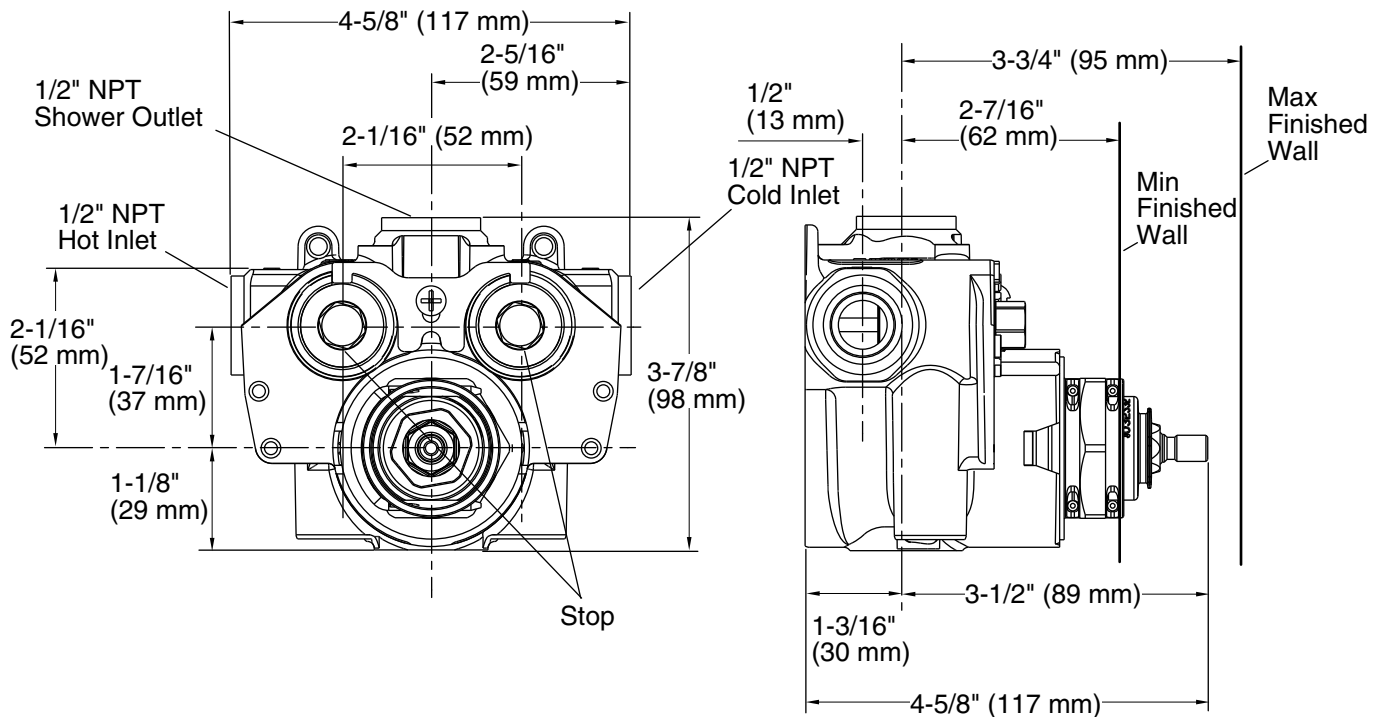
- Forged brass valve body
- Single-handle temperature control
- High-temperature limit stop for added safety
- Temperature-balancing mechanism
- Scald hazard prevention
- Integral stops
- Crossflow prevention
- 1/2" NPT connections
- Filter screens
- Single outlet
- Less volume control

CODES/STANDARDS APPLICABLE

Specified model meets or exceeds the following:

- ASSE 1016
- ASME A112.18.1/CSA B125.1

P29511



SPECIFIED MODEL

Model	Description	Finishes
P29511-WS	1/2" Thermostatic Mixer Valve	<input type="checkbox"/> NA
Required Accessories		
P29527-00	1/2" Volume Control Valve - for use on bath or shower outlets	<input type="checkbox"/> NA

We reserve the right to make revisions without notice in the design of products or in packaging unless this right has specifically been waived at the time the order is accepted.

FEATURES

- Solid metal construction for durability and reliability
- Volume control valve allows the user to customize their shower experience
- Complements the Per Se collection

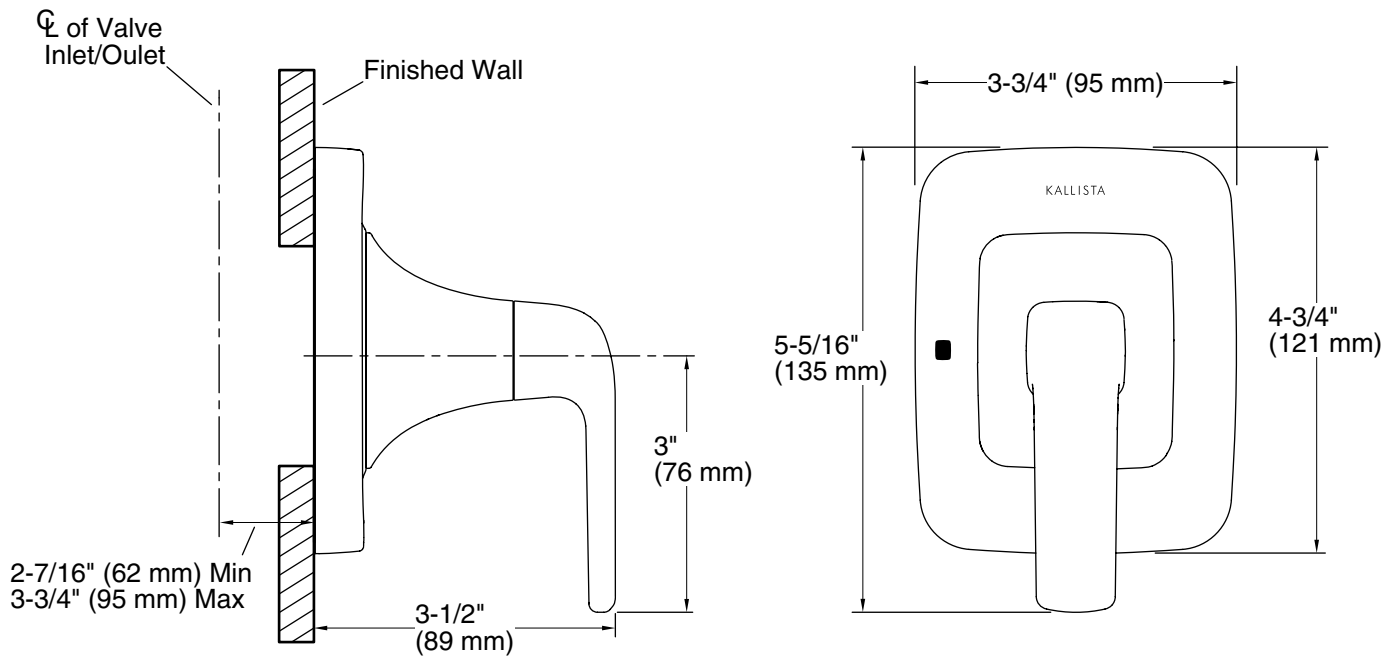
CODES/STANDARDS APPLICABLE

Specified model meets or exceeds the following:

- ASME A112.18.1/CSA B125.1
- ICC/ANSI A117.1
- ADA

P24723

ADA



SPECIFIED MODEL

Model	Description	Finishes				
P24723-LV	Per Se Volume Control Valve Trim, Lever Handle	<input type="checkbox"/> CP Polished Chrome	<input type="checkbox"/> AD Nickel Silver	<input type="checkbox"/> AG Brushed Nickel	<input type="checkbox"/> W7 Black Nickel	<input type="checkbox"/> 24K Polished Gold
Required Rough-in						
P29527-00	1/2" Volume Control	<input type="checkbox"/> NA				
P29528-00	3/4" Volume Control	<input type="checkbox"/> NA				

We reserve the right to make revisions without notice in the design of products or in packaging unless this right has specifically been waived at the time the order is accepted.

FEATURES

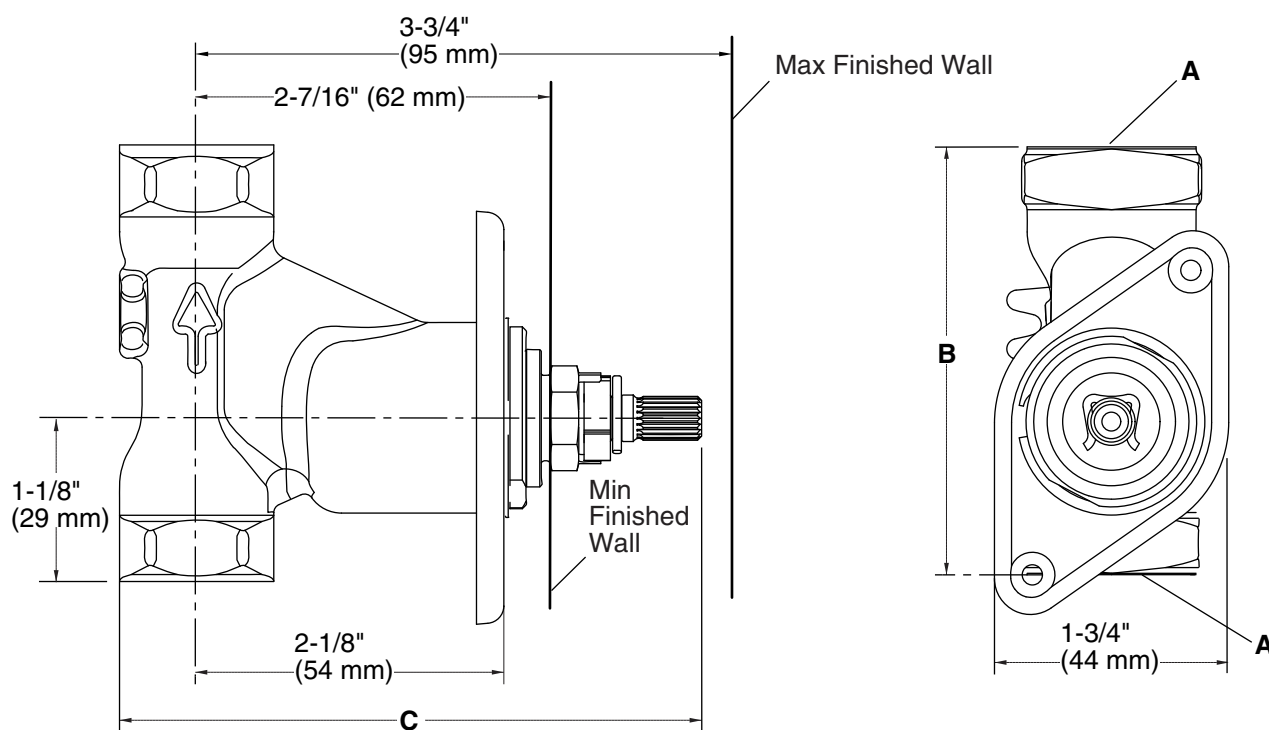
- Forged brass valve body
- Single-handle temperature control
- Quarter-turn washerless ceramic disc valves
- 1/2" or 3/4" NPT connections
- Intended for use with Kallista thermostatic mixer valving

CODES/STANDARDS APPLICABLE

Specified model meets or exceeds the following:

- ASME A112.18.1/CSA B125.1

P29527, P29528



	A	B	C
P29527	1/2" NPT	3" (76 mm)	4" (102 mm)
P29528	3/4" NPT	3-3/16" (81 mm)	4-1/8" (105 mm)

INSTALLATION NOTES
Install this product according to the installation guide.

SPECIFIED MODEL		
Model	Description	Finishes
P29527-00	Volume Control Valve, 1/2"	<input type="checkbox"/> NA
P29528-00	Volume Control Valve, 3/4"	<input type="checkbox"/> NA

We reserve the right to make revisions without notice in the design of products or in packaging unless this right has specifically been waived at the time the order is accepted.

FEATURES

- Low profile design
- Sprayface resists hard water build-up and is easy to clean
- Adjustable pivoting sprayface
- 2.5 g/min (9.5 l/min) flow rate
- 54 spray nozzles provide a soothing water experience
- 1/2" NPT connections
- Foundational design coordinates with multiple modern or traditional suites and room decor
- Complements Kallista faucets and fixtures

CODES/STANDARDS APPLICABLE

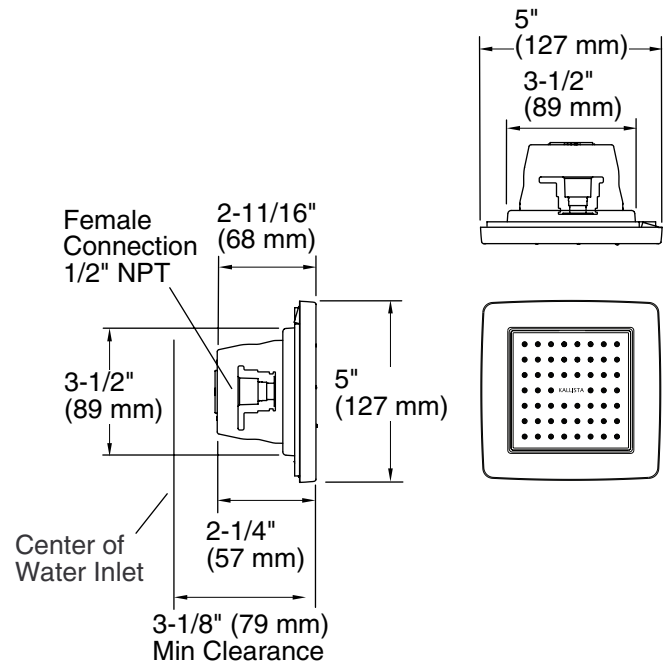
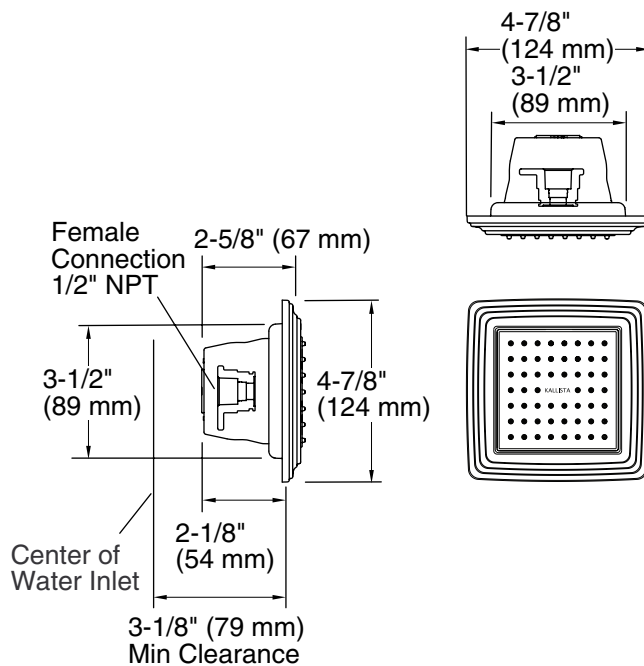
P22077, P22079

Specified model meets or exceeds the following:

- ASME A112.18.1/CSA B125.1

P22077

P22079



SPECIFIED MODEL

Model	Description	Finishes		
		<input type="checkbox"/> CP Polished Chrome	<input type="checkbox"/> AD Nickel Silver	<input type="checkbox"/> AG Brushed Nickel
P22077-00	Traditional Square Body Spray	<input type="checkbox"/> SA Antique Silver	<input type="checkbox"/> W6 Weathered Bronze	<input type="checkbox"/> 24K Polished Gold
P22079-00	Modern Square Body Spray	<input type="checkbox"/> CP Polished Chrome	<input type="checkbox"/> AD Nickel Silver	<input type="checkbox"/> AG Brushed Nickel
		<input type="checkbox"/> GN Gunmetal	<input type="checkbox"/> W7 Black Nickel	<input type="checkbox"/> LB Bronze

We reserve the right to make revisions without notice in the design of products or in packaging unless this right has specifically been waived at the time the order is accepted.

FEATURES

- Solid metal construction for durability and reliability
- Allows bather to direct water flow
- Complements the Per Se collection

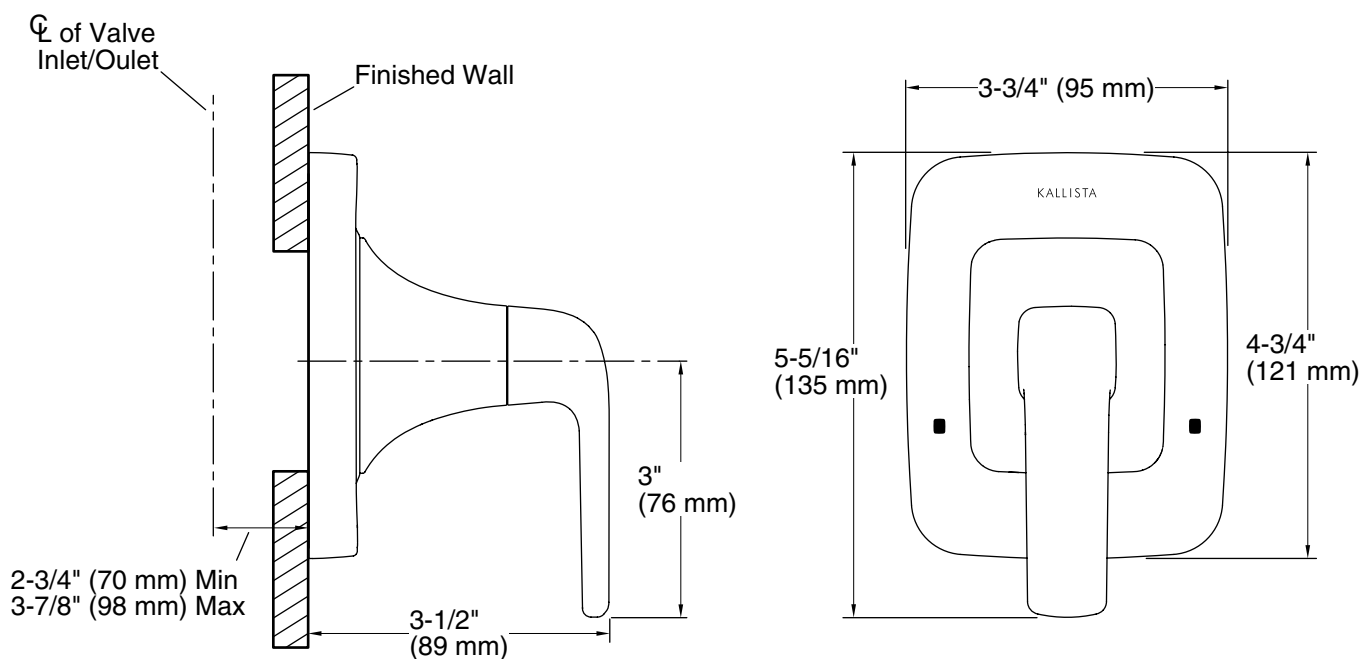
CODES/STANDARDS APPLICABLE

Specified model meets or exceeds the following:

- ASME A112.18.1/CSA B125.1
- ICC/ANSI A117.1
- ADA

P24724

ADA



SPECIFIED MODEL						
Model	Description	Finishes				
P24724-LV	Per Se 3-Way Transfer Valve Trim, Lever Handle	<input type="checkbox"/> CP Polished Chrome	<input type="checkbox"/> AD Nickel Silver	<input type="checkbox"/> AG Brushed Nickel	<input type="checkbox"/> W7 Black Nickel	<input type="checkbox"/> 24K Polished Gold
Required Rough-in						
P29513-00	3-Way Transfer Valve	<input type="checkbox"/> NA				
P29514-00	3-Way Transfer Valve, Eco	<input type="checkbox"/> NA				

We reserve the right to make revisions without notice in the design of products or in packaging unless this right has specifically been waived at the time the order is accepted.

FEATURES

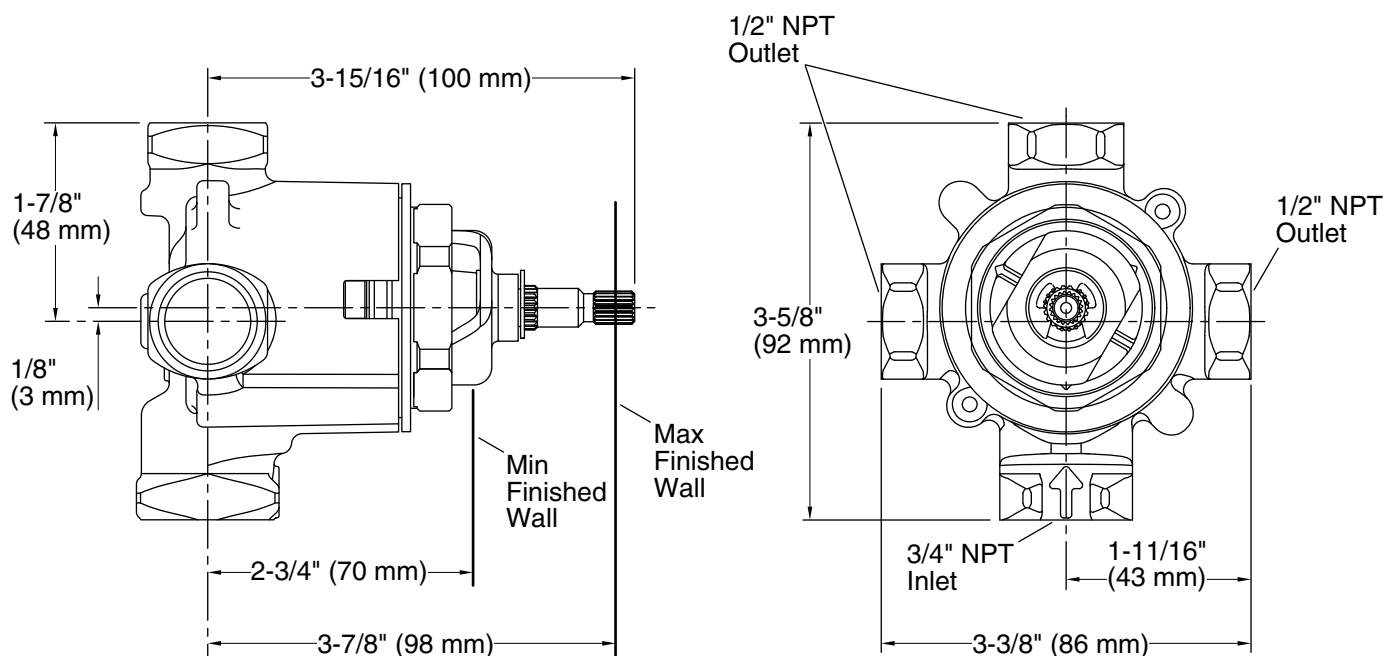
- Solid brass construction for durability and reliability
- Wall-mount installation
- Brass valve body
- Selection of one or combination of two outlets
- Single-handle control
- One 3/4" NPT inlet connection
- Three 1/2" NPT outlet connections
- Can be converted from 3 outlets (360° handle rotation) to 2 outlets (120° handle rotation)

CODES/STANDARDS APPLICABLE

Specified model meets or exceeds the following:

- ASME A112.18.1/CSA B125.1

P29513



SPECIFIED MODEL

Model	Description	Finishes
P29513-00	3-way/2-way Transfer Valve	<input type="checkbox"/> NA

We reserve the right to make revisions without notice in the design of products or in packaging unless this right has specifically been waived at the time the order is accepted.