

KALLISTA®

One™ Showerhead with Arm

FEATURES

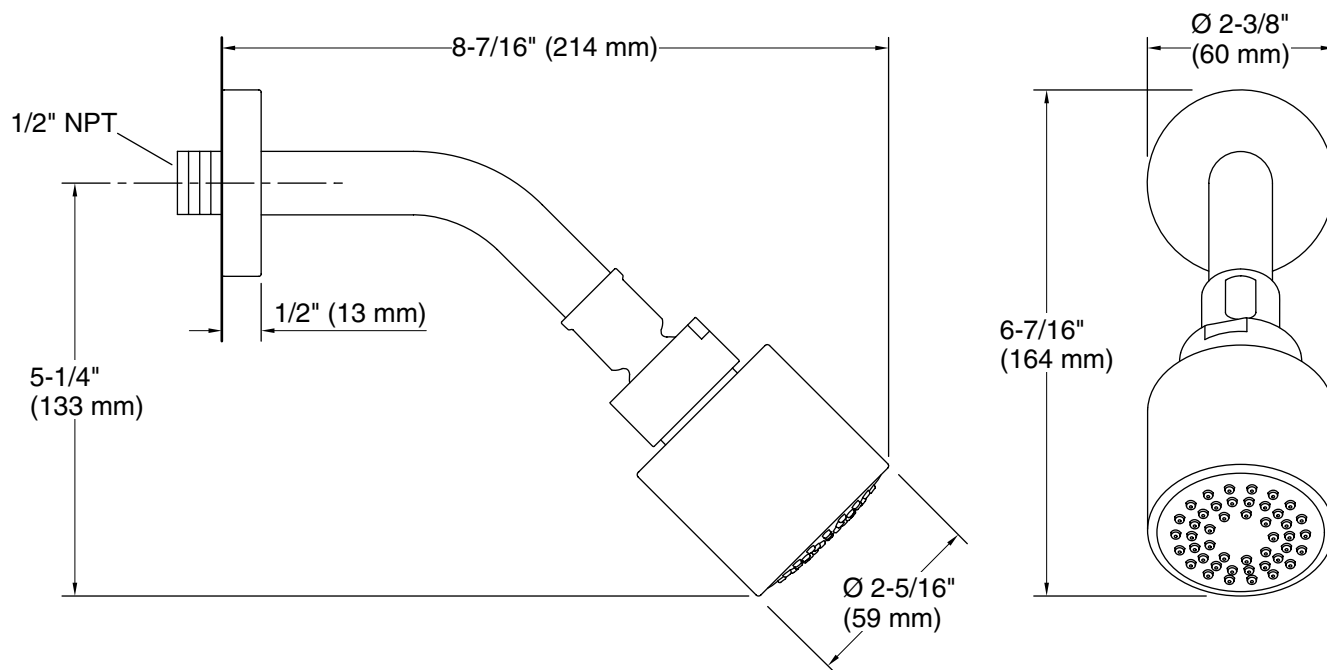
- Brass construction for durability and reliability
- 1.75 gal/min (6.6 l/min) flow rate
- Sprayface resists hard water buildup and is easy to clean.
- Complements the One collection

CODES/STANDARDS APPLICABLE

Specified model meets or exceeds the following:

- ASME A112.18.1/CSA B125.1
- IAPMO/cUPC
- EPA WaterSense®

P24482



SPECIFIED MODEL

Model	Description	Finishes		
P24482-00	One Showerhead with Arm	<input type="checkbox"/> CP Polished Chrome	<input type="checkbox"/> AD Nickel Silver	<input type="checkbox"/> AG Brushed Nickel
		<input type="checkbox"/> GN Gunmetal	<input type="checkbox"/> ULB Unlacquered Brass	* <input type="checkbox"/> BL Matte Black

* BL Matte Black available Winter 2019

We reserve the right to make revisions without notice in the design of products or in packaging unless this right has specifically been waived at the time the order is accepted.

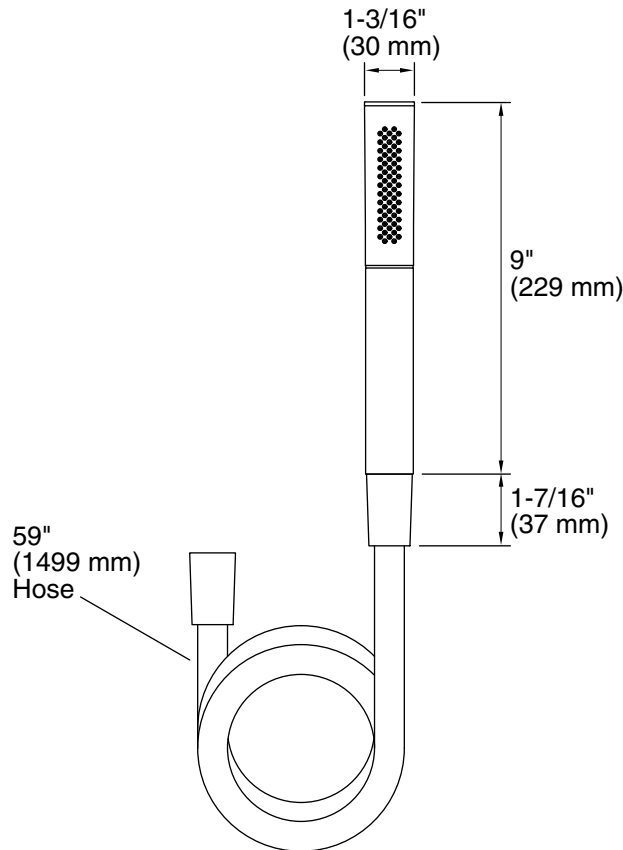
FEATURES

- 1.75 gal/min (6.6 l/min) flow rate
- Two spray options available (wide coverage spray, concentrated spray)
- Sprayface resists hard water buildup and is easy to clean
- 59" (1499 mm) hose included
- Complements the One collection

CODES/STANDARDS APPLICABLE

- Specified model meets or exceeds the following:
- ASME A112.18.1/CSA B125.1
 - EPA WaterSense® (Pending)

P24843



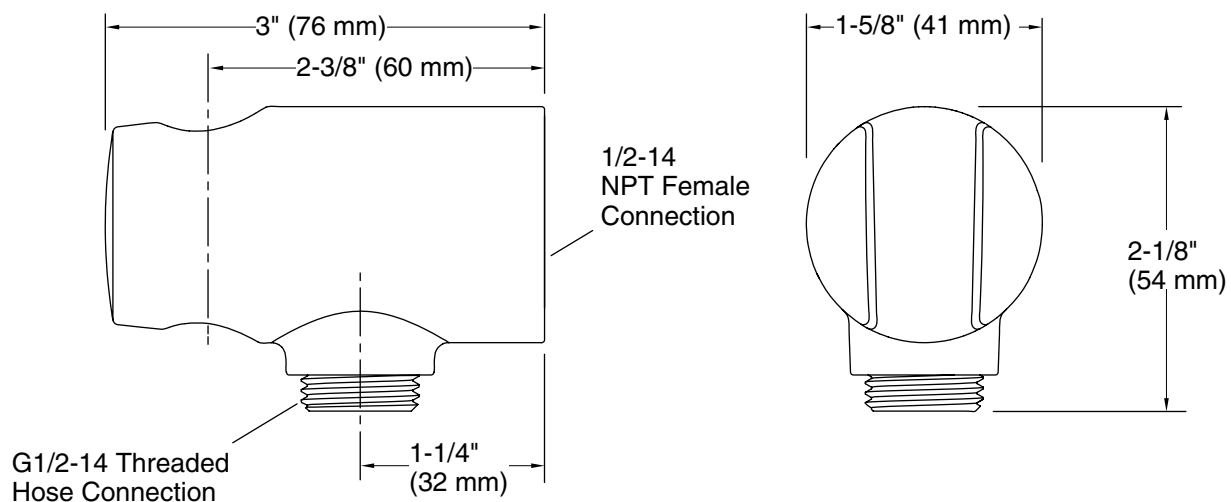
SPECIFIED MODEL						
Model	Description	Finishes				
P24843-00	One Wand Dual-Function Handshower	<input type="checkbox"/> CP Polished Chrome	<input type="checkbox"/> AD Nickel Silver	<input type="checkbox"/> AG Brushed Nickel	<input type="checkbox"/> GN Gunmetal	<input type="checkbox"/> ULB Unlacquered Brass
Optional Accessories						
P21661-00	Contemporary Wall Supply Elbow	<input type="checkbox"/> CP Polished Chrome	<input type="checkbox"/> AD Nickel Silver	<input type="checkbox"/> AG Brushed Nickel	<input type="checkbox"/> GN Gunmetal	<input type="checkbox"/> ULB Unlacquered Brass
P21663-00	Contemporary Deck-Mount Handshower Mounting Trim	<input type="checkbox"/> CP Polished Chrome	<input type="checkbox"/> AD Nickel Silver	<input type="checkbox"/> AG Brushed Nickel	<input type="checkbox"/> GN Gunmetal	<input type="checkbox"/> ULB Unlacquered Brass
P24453-00	Contemporary Fixed Wall Bracket	<input type="checkbox"/> CP Polished Chrome	<input type="checkbox"/> AD Nickel Silver	<input type="checkbox"/> AG Brushed Nickel	<input type="checkbox"/> GN Gunmetal	<input type="checkbox"/> ULB Unlacquered Brass
P24456-00	Contemporary Slidebar	<input type="checkbox"/> CP Polished Chrome	<input type="checkbox"/> AD Nickel Silver	<input type="checkbox"/> AG Brushed Nickel	<input type="checkbox"/> GN Gunmetal	

We reserve the right to make revisions without notice in the design of products or in packaging unless this right has specifically been waived at the time the order is accepted.

FEATURES

P21652

- Solid metal construction for durability and reliability
- Integrated supply and holder
- Clean look with reduced number of components needed in the shower space
- Complements Contemporary Kallista faucets and fixtures



P21652

SPECIFIED MODEL			
Model	Description	Finishes	
P21652-00	Contemporary Wall Bracket with Integrated Supply Elbow	<input type="checkbox"/> CP Polished Chrome	<input type="checkbox"/> AD Nickel Silver
		<input type="checkbox"/> BZ Antique Bronze	<input type="checkbox"/> GN Gunmetal
		<input type="checkbox"/> LB Bronze	<input type="checkbox"/> W7 Black Nickel

We reserve the right to make revisions without notice in the design of products or in packaging unless this right has specifically been waived at the time the order is accepted.

KALLISTA One™ Pressure Balance Valve Trim & Pressure Balance Valve Trim with Diverter

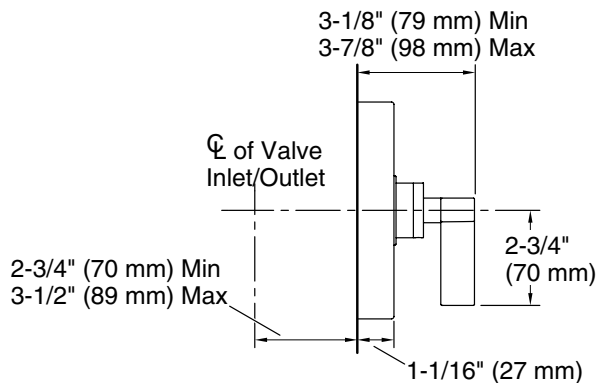
FEATURES

- Solid brass construction for durability and reliability
- Pressure-balancing technology maintains water temperature within +/-3 degrees Fahrenheit
- High-temperature limit stop helps eliminate scalding
- Complements the One collection

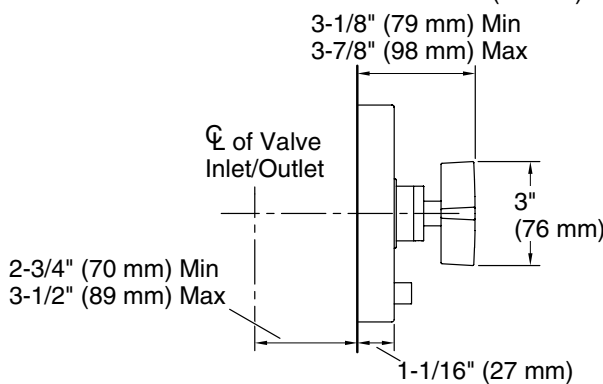
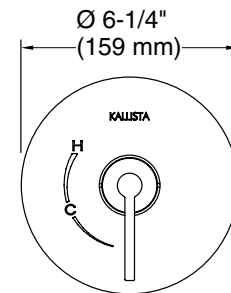
CODES/STANDARDS APPLICABLE

- Specified model meets or exceeds the following:
- ASME A112.18.1/CSA B125.1
 - ICC/ANSI A117.1
 - ADA (lever handle only)
 - OBC (lever handle only)
 - CSA B651 (lever handle only)

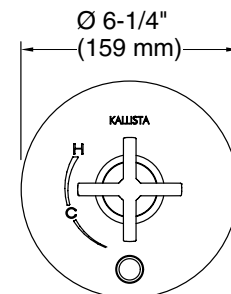
P24415,
P24416



P24415-LV



P24416-CR



SPECIFIED MODEL				
Model	Description	Finishes		
P24415-CR	Pressure Balance Valve Trim, Cross Handle	<input type="checkbox"/> CP Polished Chrome	<input type="checkbox"/> AD Nickel Silver	<input type="checkbox"/> AG Brushed Nickel
		<input type="checkbox"/> GN Gunmetal	<input type="checkbox"/> ULB Unlacquered Brass	* BL Matte Black
P24415-LV	One Pressure Balance Valve Trim, Lever Handle	<input type="checkbox"/> CP Polished Chrome	<input type="checkbox"/> AD Nickel Silver	<input type="checkbox"/> AG Brushed Nickel
		<input type="checkbox"/> GN Gunmetal	<input type="checkbox"/> ULB Unlacquered Brass	* BL Matte Black
P24416-CR	One Pressure Balance Valve Trim with Diverter, Cross Handle	<input type="checkbox"/> CP Polished Chrome	<input type="checkbox"/> AD Nickel Silver	<input type="checkbox"/> AG Brushed Nickel
		<input type="checkbox"/> GN Gunmetal	<input type="checkbox"/> ULB Unlacquered Brass	* BL Matte Black
P24416-LV	One Pressure Balance Valve Trim with Diverter, Lever Handle	<input type="checkbox"/> CP Polished Chrome	<input type="checkbox"/> AD Nickel Silver	<input type="checkbox"/> AG Brushed Nickel
		<input type="checkbox"/> GN Gunmetal	<input type="checkbox"/> ULB Unlacquered Brass	* BL Matte Black
Required Rough-In				
P19310-00	Pressure Balance Rough-in for P24415	<input type="checkbox"/> NA		
P19310-WS	Pressure Balance Rough-in with Stops for P24415	<input type="checkbox"/> NA		
P19310-US	Rough-In with Stops and PEX connections for P24415	<input type="checkbox"/> NA		
P29306-WS	Pressure Balance High-Flow Rough-in for P24415	<input type="checkbox"/> NA		
P29500-00	Pressure Balance Rough-in & Thermostatic Cartridge for PXXX	<input type="checkbox"/> NA		
P29500-WS	Pressure Balance Rough-in & Thermostatic Cartridge with Stops for PXXX	<input type="checkbox"/> NA		
P29305-00	Pressure Balance with Diverter Rough-in for P24416	<input type="checkbox"/> NA		
P29305-WS	Pressure Balance with Diverter Rough-in with Stops for P24416	<input type="checkbox"/> NA		

* BL Matte Black available Winter2019

We reserve the right to make revisions without notice in the design of products or in packaging unless this right has specifically been waived at the time the order is accepted.

FEATURES

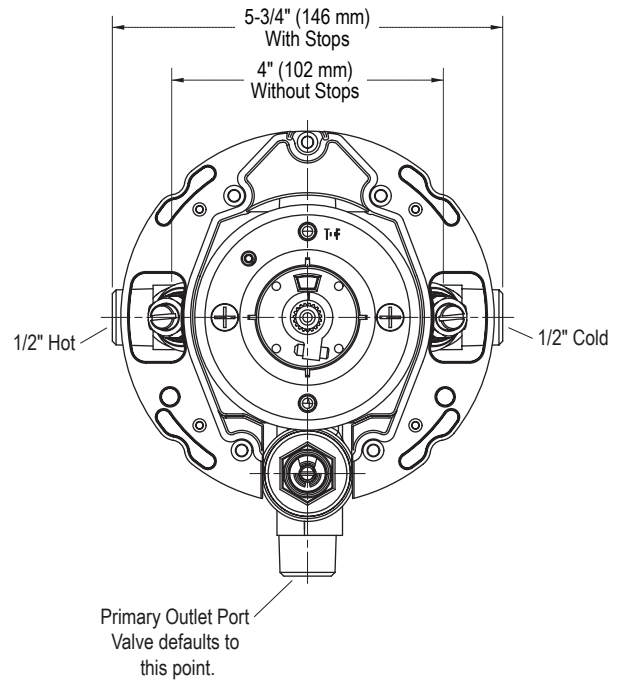
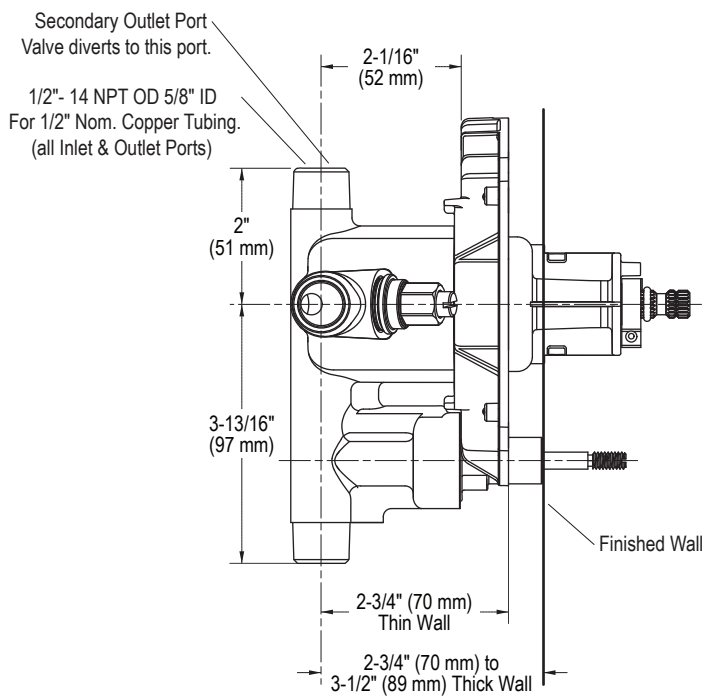
- Brass Valve Body
- Pressure-Balancing Diaphragm Design
- Pressure-Balancing Mechanism of One-Piece Diaphragm Cartridge Design for Ease of Maintenance
- Mixing Valve Cycles from "Cold" to "Hot"
- Integral Diverter Mechanism
- High-Temperature Limit Setting for Added Safety
- Available with or without Screwdriver Stops
- Designed for Showerhead and Handshower Applications

CODES/STANDARDS APPLICABLE

Specified model meets or exceeds the following:

- ASME A112.18.1/CSA B125.1
- ASSE 1016

P29305



ROUGHING-IN NOTES

Avoid cross-flow conditions. Do not install shut-off device on either valve outlet.

SPECIFIED MODEL

Model	Description	Finishes
P29305-00	Pressure Balance Valve with Diverter, without screwdriver stops	<input type="checkbox"/> NA
P29305-WS	Pressure Balance Valve with Diverter, with screwdriver stops	<input type="checkbox"/> NA

We reserve the right to make revisions without notice in the design of products or in packaging unless this right has specifically been waived at the time the order is accepted.