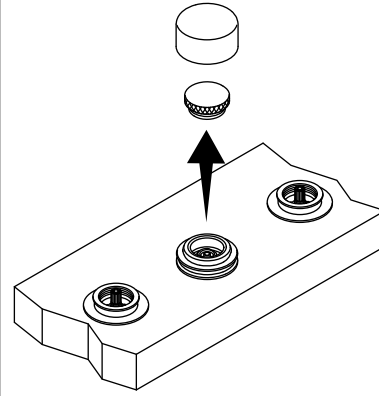


Record your model number below for future reference:

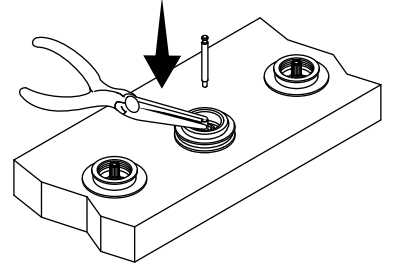
⚠ WARNING: Risk of personal injury.
Do not lean over the pipe plug during removal. The water supply lines may be pressurized, causing water to spray or purge.

Important Information
Observe all local plumbing and building codes.
Shut off the water supply.
Install valve P19304-00-NA before installing this product.

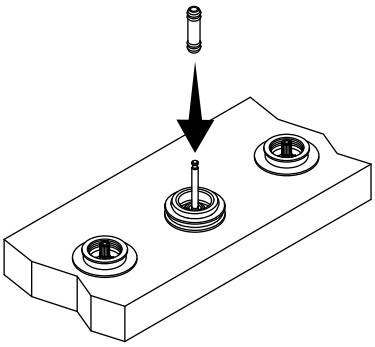
1 Remove the guard. Wrap a rag around the pipe plug and remove the plug.



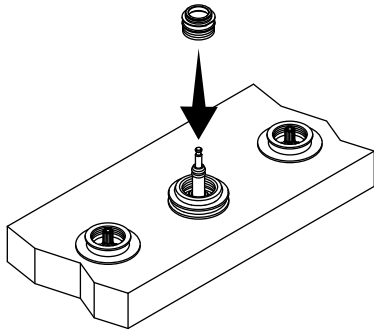
2 Lift and hold the diverter stem with pliers, then fully insert the lift rod.



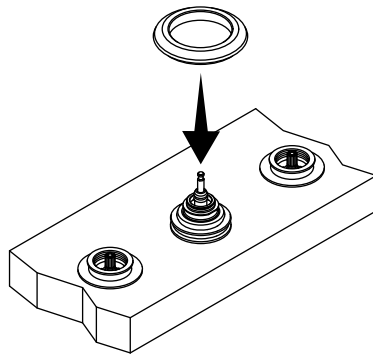
3 Install the diverter tube over the lift rod and into the diverter body.



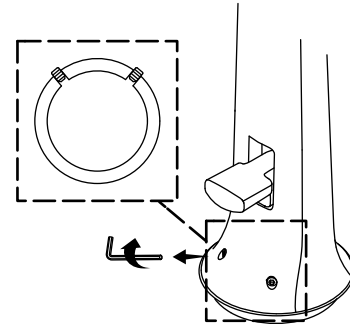
4 Install the adapter.



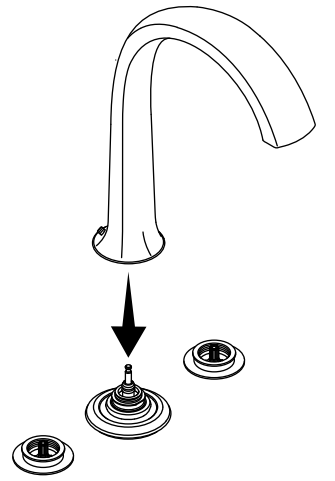
5 Install the escutcheon over the adapter.



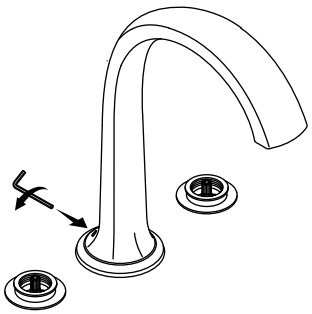
6 Loosen the setscrews on the spout until they clear the inside wall of the spout.



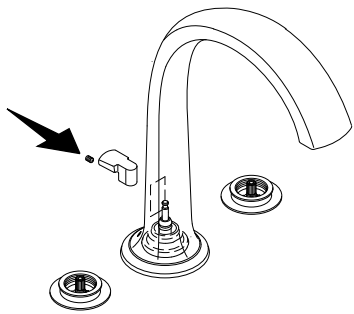
7 Press the spout over the diverter tube until flush with the escutcheon.



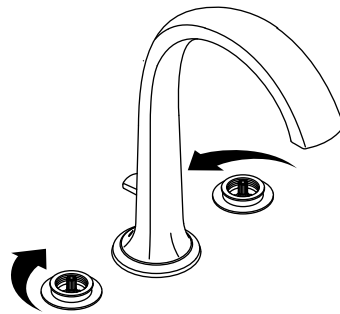
8 Tighten the setscrews.



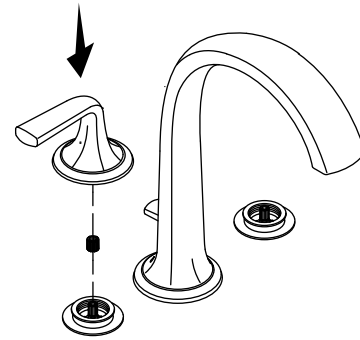
9 Install the lift knob onto the lift rod.



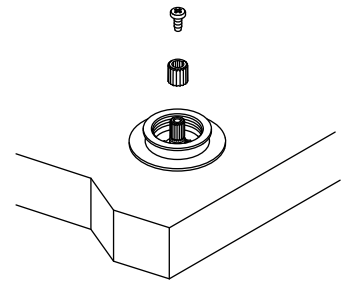
10 Make sure the valves are closed.



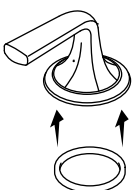
11 Place the adapters and handles onto the valves, perpendicular to the spout.



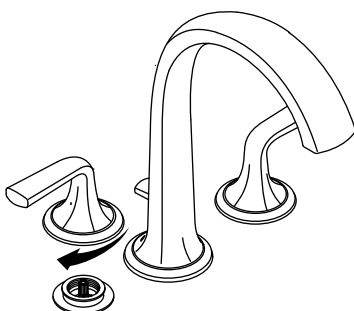
12 To adjust handle position, rotate the adapter. Secure with the screw.



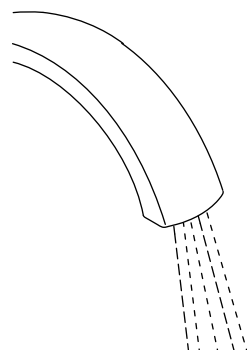
13 Install the O-ring into the groove under the escutcheon.



14 Place the handle perpendicular with the spout. Thread the escutcheon onto the collar.



15 Run the water for 1 minute to remove debris.



Questions? Problems? For additional assistance, please contact
KALLISTA's Customer Service Department at 1-888-4-KALLISTA
(1-888-452-5547) or kallista.com.