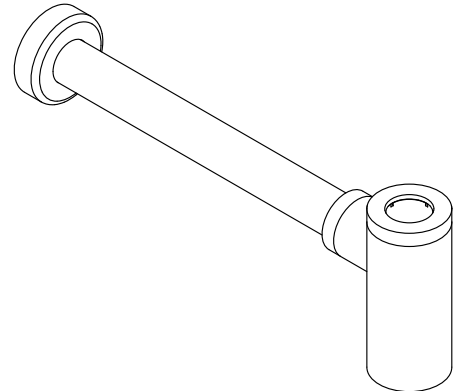


Features

- Ready-to-Ship (RTS) Program, in-stock and ready for immediate shipment: Polished Chrome (CP), Nickel Silver (AD), Brushed Bronze (BV)
- Intended for console table and vessel installation
- Unlacquered Brass (ULB) available in North America and the United Kingdom only

Recommended Products/Accessories

P74233-WO
P21644-00 Valve Shroud
P21639-00
P72080-00

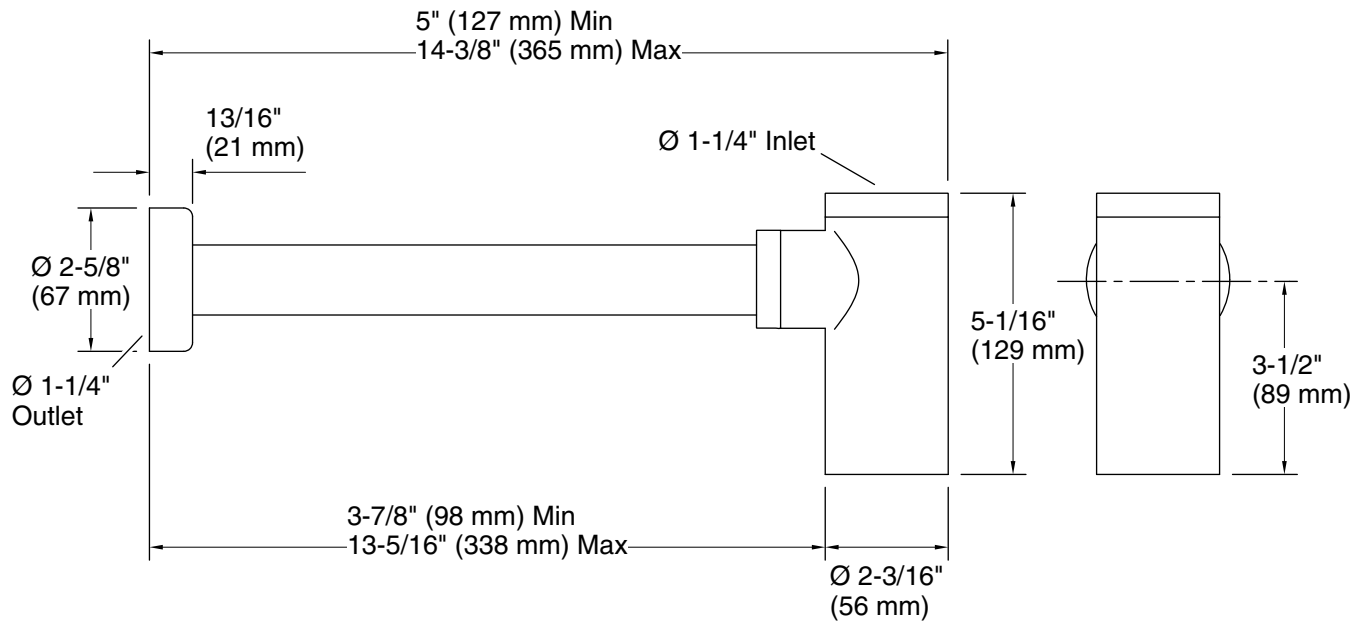


Codes/Standards

ASME A112.18.2/CSA B125.2

KALLISTA® Five-Year Limited Warranty

See website for detailed warranty
information.



Technical Information

All product dimensions are nominal.

Material: Brass, Plastic