

## FEATURES

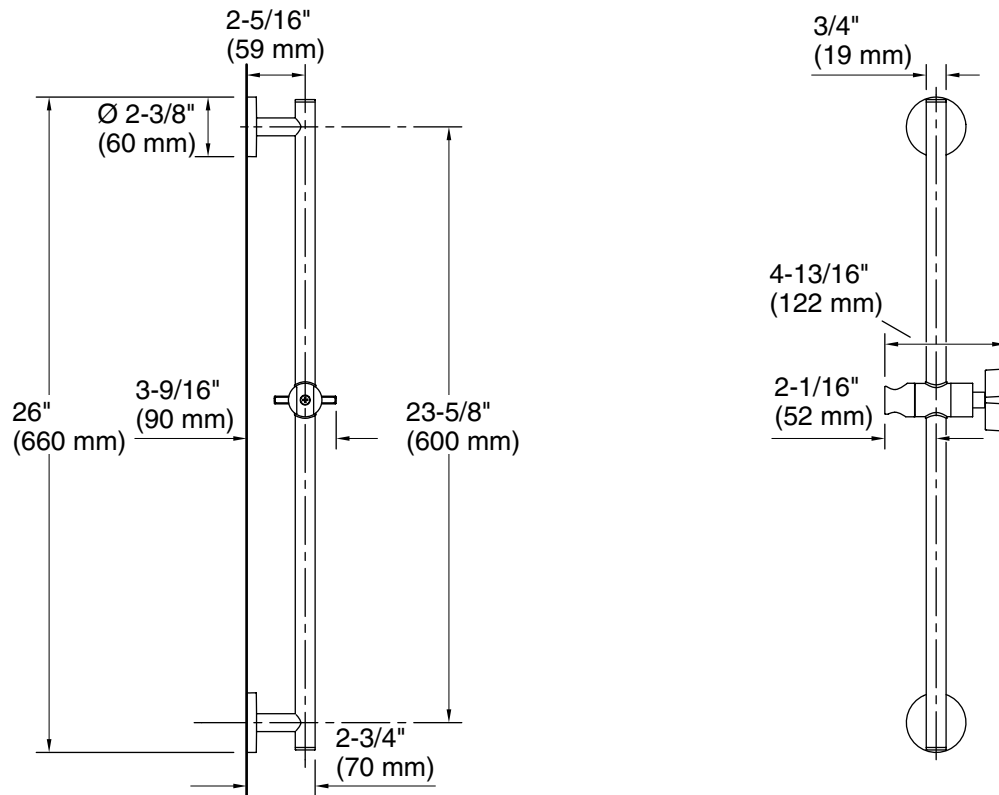
- Integral handshower bracket
- Complements the Contemporary collection

## CODES/STANDARDS APPLICABLE

Specified model meets or exceeds the following:

- ASME A112.18.1/CSA B125.1 (pending)
- ADA (pending)
- ICC/ANSI A117.1 (pending)
- CSA B651 (pending)
- OBC (pending)

# P21629



## SPECIFIED MODEL

Model	Description	Finishes		
P21629-00	One Slidebar	<input type="checkbox"/> CP Polished Chrome	<input type="checkbox"/> AD Nickel Silver	<input type="checkbox"/> AG Brushed Nickel
		<input type="checkbox"/> GN Gunmetal	<input type="checkbox"/> ULB Unlacquered Brass	<input type="checkbox"/> BL Matte Black
Required Accessory				
P21661-00	Contemporary Wall Supply Elbow	<input type="checkbox"/> CP Polished Chrome	<input type="checkbox"/> AD Nickel Silver	<input type="checkbox"/> AG Brushed Nickel
		<input type="checkbox"/> GN Gunmetal	<input type="checkbox"/> ULB Unlacquered Brass	<input type="checkbox"/> BL Matte Black
Recommended Accessories				
P24843-00	One... Wand Dual-Function Handshower	<input type="checkbox"/> CP Polished Chrome	<input type="checkbox"/> AD Nickel Silver	<input type="checkbox"/> AG Brushed Nickel
		<input type="checkbox"/> GN Gunmetal	<input type="checkbox"/> ULB Unlacquered Brass	<input type="checkbox"/> BL Matte Black
P21660-00	Contemporary Multi-Function Handshower	<input type="checkbox"/> CP Polished Chrome		<input type="checkbox"/> AD Nickel Silver
		<input type="checkbox"/> AG Brushed Nickel		<input type="checkbox"/> GN Gunmetal

We reserve the right to make revisions without notice in the design of products or in packaging unless this right has specifically been waived at the time the order is accepted.