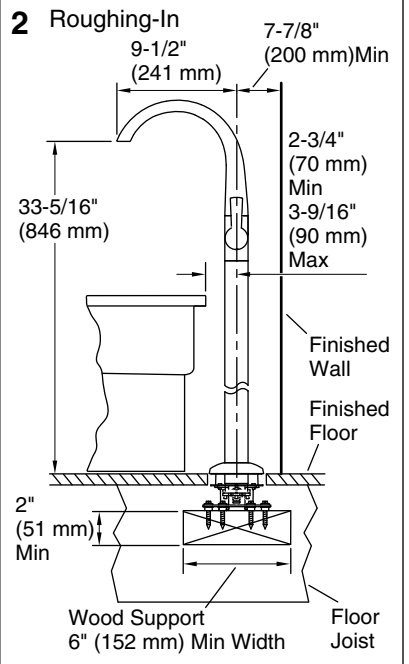
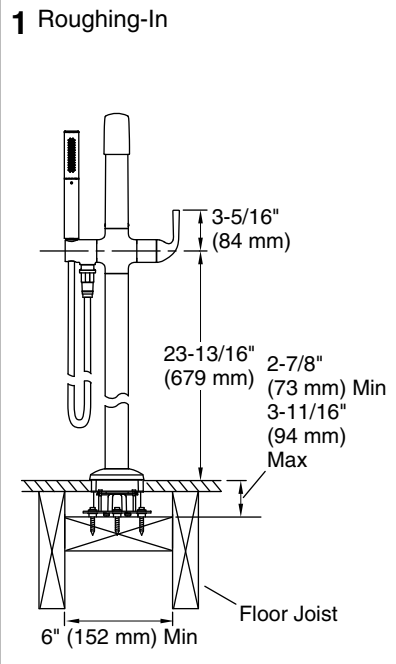


Record your model number below for future reference:

CAUTION: Risk of personal injury.
Do not use this product as a grab or support bar when entering or exiting the bath. The product is not designed to support weight.

NOTICE: Adequate floor support is required. Standard 2x6 lumber is NOT sufficient for this application.
NOTE: Concrete can be used as the floor support.
Observe all local plumbing and building codes.



3 Construct a wood support under the floor according to the roughing-in dimensions.

4 Verify correct spout orientation before installing the base. The base has a notch on the cold supply side.

5 Use the base to mark the mounting holes on the wood support.

6 Using a 3/16" drill bit (provided), drill 1-1/2" (38 mm) deep holes at the marked locations.

7 Install the base to the support with the screws and washers.

8 Apply sealant tape to the supply pipes. Thread the pipes into the base, with the cold supply on the notched side. Turn on the water and check for leaks.

9 Turn off the water and install the guard to the base.

10 Finish the floor, leaving a 3-1/4" (83 mm) hole for the guard. Fit the finished floor between the MIN and MAX lines on the guard.

11 Trim the guard flush with the finished floor.

12 Remove the plugs from the base.

13 Install the faucet to the base with the screws and washers.

14 Install the check valve to the diverter. Install the handshower according to the manufacturer's installation instructions.

Questions? Problems? For additional assistance, please contact
KALLISTA's Customer Service Department at 1-888-4-KALLISTA
(1-888-452-5547) or kallista.com.