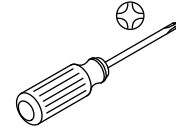
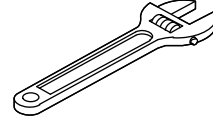




Stainless (Non-Staining) Plumbers Putty



Sealant Tape

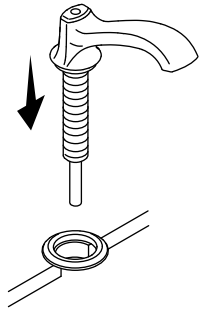
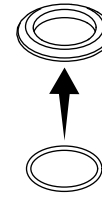
Record your model number below for future reference:

Important Information
Observe all local plumbing and building codes.

Do not use petroleum-based plumbers putty on marble or stone surfaces.

1 Install the O-ring to the underside of the escutcheon.

2 Place the escutcheon over the spout hole. Install the faucet.



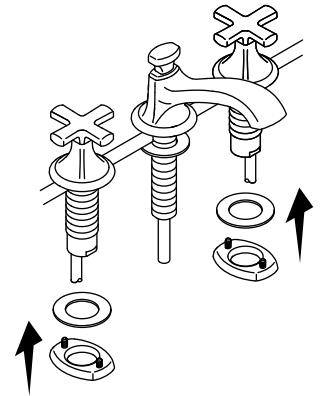
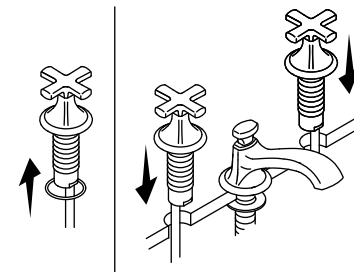
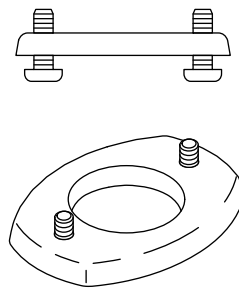
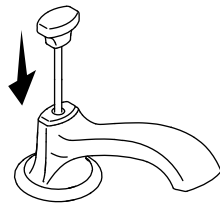
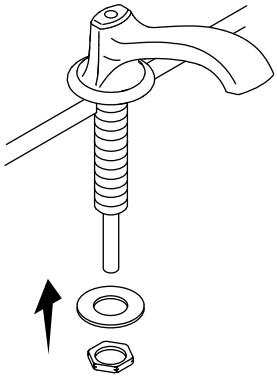
3 Secure the faucet.

4 Install the lift rod.

5 Partially thread the screws into the rings.

6 Install the O-rings. Install the handles.

7 Install the washer and ring. Do not tighten the screws.



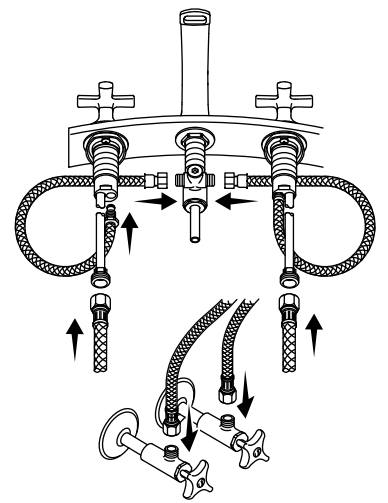
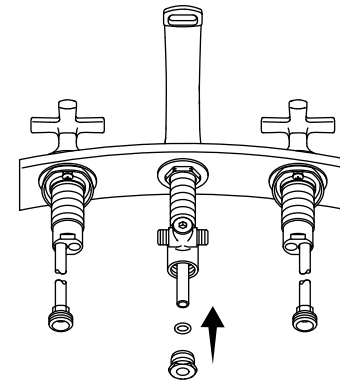
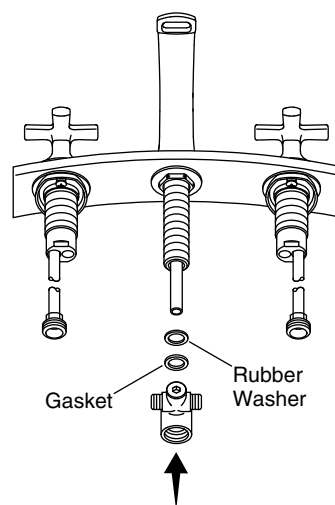
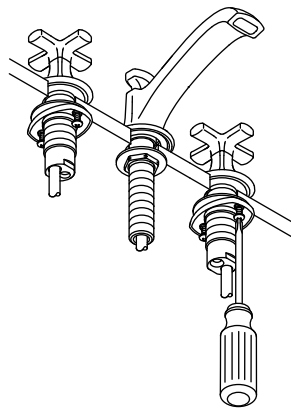
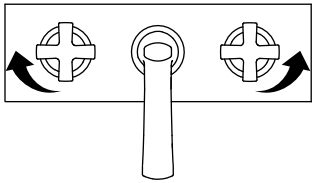
8 Turn the handles to "Off." Align the handles. **Optional:** For Saint-Louis handles, align so the logo faces away from the spout.

9 Secure the handles.

10 Install and tighten the tee.

11 Install the O-ring to the tee. Secure with the nut.

12 Connect the hoses.



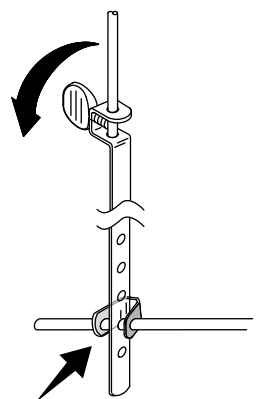
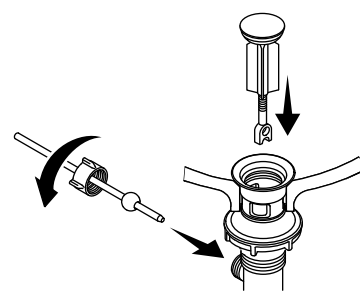
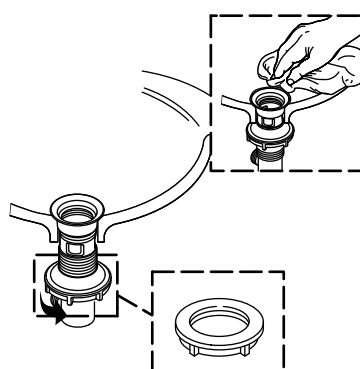
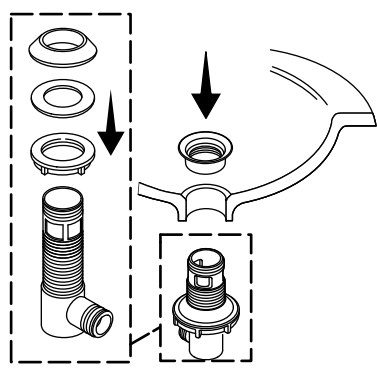
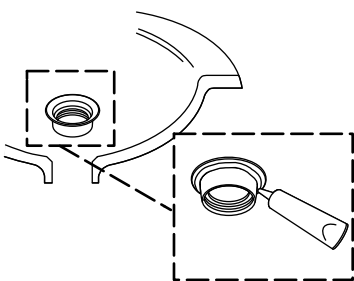
13 Remove the cover and apply plumbers putty to the flange.

14 Assemble the drain. Install the flange.

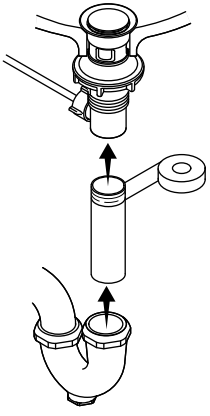
15 Tighten the nut. Remove excess sealant.

16 Insert the rod and tighten the nut. Insert the stopper. If needed, turn the stopper bolt to adjust the height.

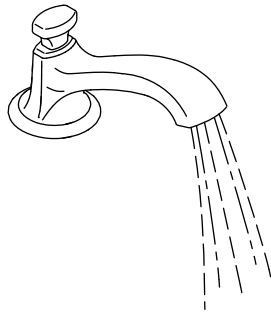
17 Connect the lift rod using the spring clip. Tighten the thumbscrew. Connect the trap to the tailpiece.



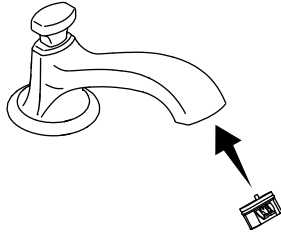
18 Apply thread sealant tape to the tailpiece and install.



19 Turn the water on, flush the hoses, and check for leaks. Turn off the water.



20 Install the aerator with the tab facing up.



Questions? Problems? For additional assistance, please contact KALLISTA's Customer Service Department at 1-888-4-KALLISTA (1-888-452-5547) or kallista.com.