

# KALLISTA® Bellis® Pressure Balance Valve Trim & Pressure Balance Valve Trim with Diverter

## FEATURES

- Solid brass construction for durability and reliability
- Pressure-balancing technology maintains water temperature within +/- 3 degrees Fahrenheit
- High-temperature limit stop helps eliminate scalding
- Coordinates with the Bellis collection

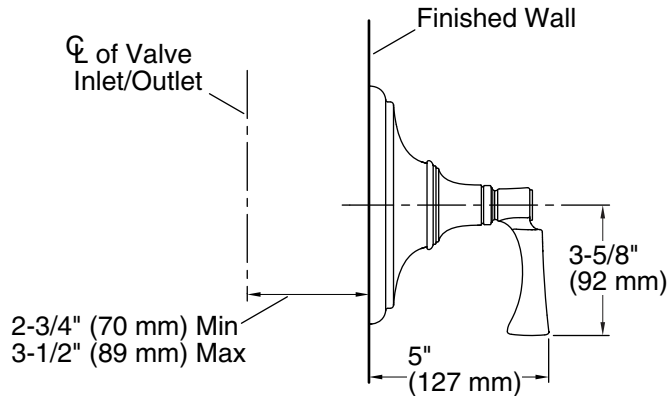
## Codes/Standards Applicable

Specified model meets or exceeds the following:

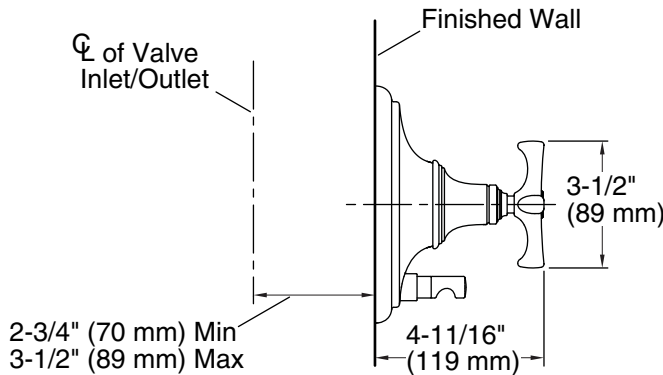
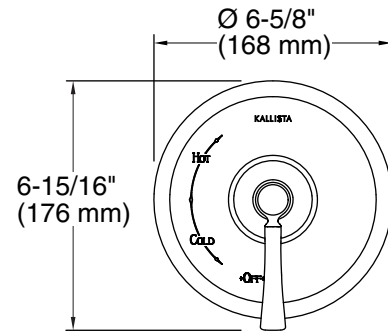
- ASME A112.12.1/CSA B125.1
- IAPMO/cUPC Listed
- ADA (Cross and lever handles)

## P24615, P24616

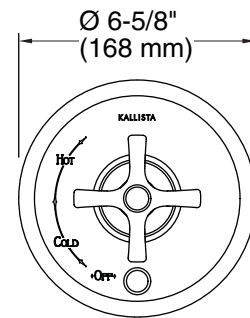
ADA



P24615-LV



P24616-CR



## SPECIFIED MODEL

Model	Description	Finishes			
P24615-CR	Bellis Pressure Balance Valve Trim, Cross Handle	<input type="checkbox"/> CP Polished Chrome	<input type="checkbox"/> AD Nickel Silver	<input type="checkbox"/> AG Brushed Nickel	<input type="checkbox"/> ULB Unlaquored Brass
P24615-LV	Bellis Pressure Balance Valve Trim, Lever Handle	<input type="checkbox"/> CP Polished Chrome	<input type="checkbox"/> AD Nickel Silver	<input type="checkbox"/> AG Brushed Nickel	<input type="checkbox"/> ULB Unlaquored Brass
P24616-CR	Pressure Balance Valve Trim with Diverter, Cross Handle	<input type="checkbox"/> CP Polished Chrome	<input type="checkbox"/> AD Nickel Silver	<input type="checkbox"/> AG Brushed Nickel	
P24616-LV	Pressure Balance Valve Trim with Diverter, Lever Handle	<input type="checkbox"/> CP Polished Chrome	<input type="checkbox"/> AD Nickel Silver	<input type="checkbox"/> AG Brushed Nickel	
Required Rough-in					
P19300-00	Rough-in for P24615	<input type="checkbox"/> NA			
P19300-WS	Rough-in with stops for P24615	<input type="checkbox"/> NA			
P29306-WS	High-flow rough-in for P24615	<input type="checkbox"/> NA			
P29305-WS	Rough-in for P24616	<input type="checkbox"/> NA			
P29305-WS	Rough-in with stops for P24616	<input type="checkbox"/> NA			

We reserve the right to make revisions without notice in the design of products or in packaging unless this right has specifically been waived at the time the order is accepted.