

KALLISTA[®] One™ Pressure Balance Valve Trim & Pressure Balance Valve Trim with Diverter

FEATURES

- Solid brass construction for durability and reliability
- Pressure-balancing technology maintains water temperature within +/-3 degrees Fahrenheit
- High-temperature limit stop helps eliminate scalding
- Coordinates with the One collection

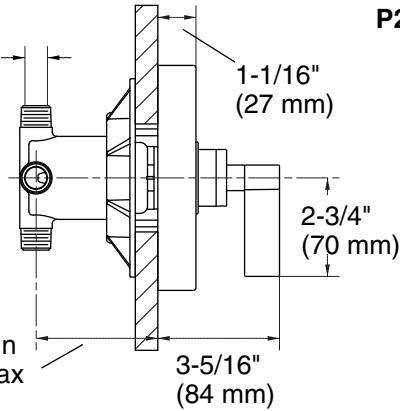
CODES/STANDARDS APPLICABLE

- Specified model meets or exceeds the following:
- ASME A112.18.1/CSA B125.1
 - ADA (lever handle only)
 - IAPMO/cUPC

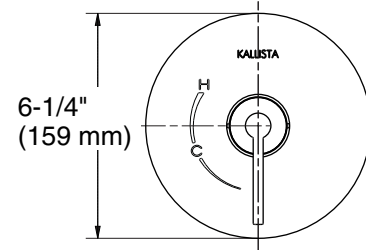
P24415,
P24416

ADA

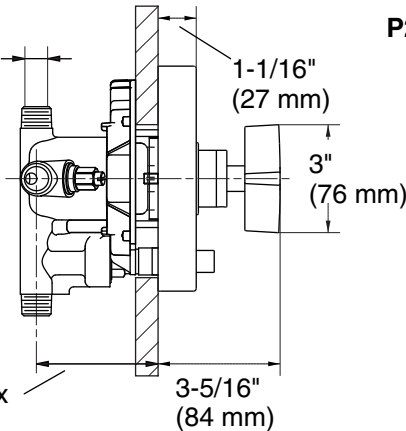
1/2" NPT or 5/8" ID for
1/2" Nom. Copper Tubing



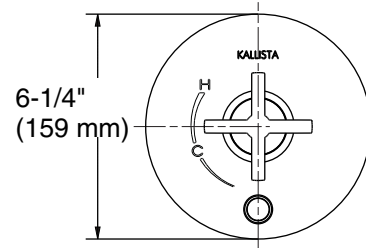
P24415-LV



1/2" NPT or 5/8" ID for
1/2" Nom. Copper Tubing



P24416-CR



2-3/4" (70 mm) Min
3-1/2" (89 mm) Max

3-5/16" (84 mm)

SPECIFIED MODEL

Model	Description	Finishes				
		<input type="checkbox"/> CP Polished Chrome	<input type="checkbox"/> AD Nickel Silver	<input type="checkbox"/> AG Brushed Nickel	<input type="checkbox"/> GN Gunmetal	<input type="checkbox"/> ULB Unlacquered Brass
P24415-CR	One Pressure Balance Valve Trim, Cross Handle	<input type="checkbox"/> CP Polished Chrome	<input type="checkbox"/> AD Nickel Silver	<input type="checkbox"/> AG Brushed Nickel	<input type="checkbox"/> GN Gunmetal	<input type="checkbox"/> ULB Unlacquered Brass
P24415-LV	One Pressure Balance Valve Trim, Lever Handle	<input type="checkbox"/> CP Polished Chrome	<input type="checkbox"/> AD Nickel Silver	<input type="checkbox"/> AG Brushed Nickel	<input type="checkbox"/> GN Gunmetal	<input type="checkbox"/> ULB Unlacquered Brass
P24416-CR	One Pressure Balance Valve Trim with Diverter, Cross Handle	<input type="checkbox"/> CP Polished Chrome	<input type="checkbox"/> AD Nickel Silver	<input type="checkbox"/> AG Brushed Nickel	<input type="checkbox"/> GN Gunmetal	
P24416-LV	One Pressure Balance Valve Trim with Diverter, Lever Handle	<input type="checkbox"/> CP Polished Chrome	<input type="checkbox"/> AD Nickel Silver	<input type="checkbox"/> AG Brushed Nickel	<input type="checkbox"/> GN Gunmetal	
Required Rough-In						
P19300-00	Rough-in for P24415	<input type="checkbox"/> NA				
P19300-WS	Rough-in with Stops for P24415	<input type="checkbox"/> NA				
P29306-WS	High-Flow Rough-in for P24415	<input type="checkbox"/> NA				
P29305-00	Rough-in for P24416	<input type="checkbox"/> NA				
P29305-WS	Rough-in with Stops for P24416	<input type="checkbox"/> NA				

We reserve the right to make revisions without notice in the design of products or in packaging unless this right has specifically been waived at the time the order is accepted.