

FEATURES

- Solid metal construction for durability and reliability
- Pressure-balancing technology maintains water temperature within +/- 3 degrees Fahrenheit
- High-temperature limit stop allows you to preset a comfortable maximum temperature to eliminate scalding
- Complements the Script collection

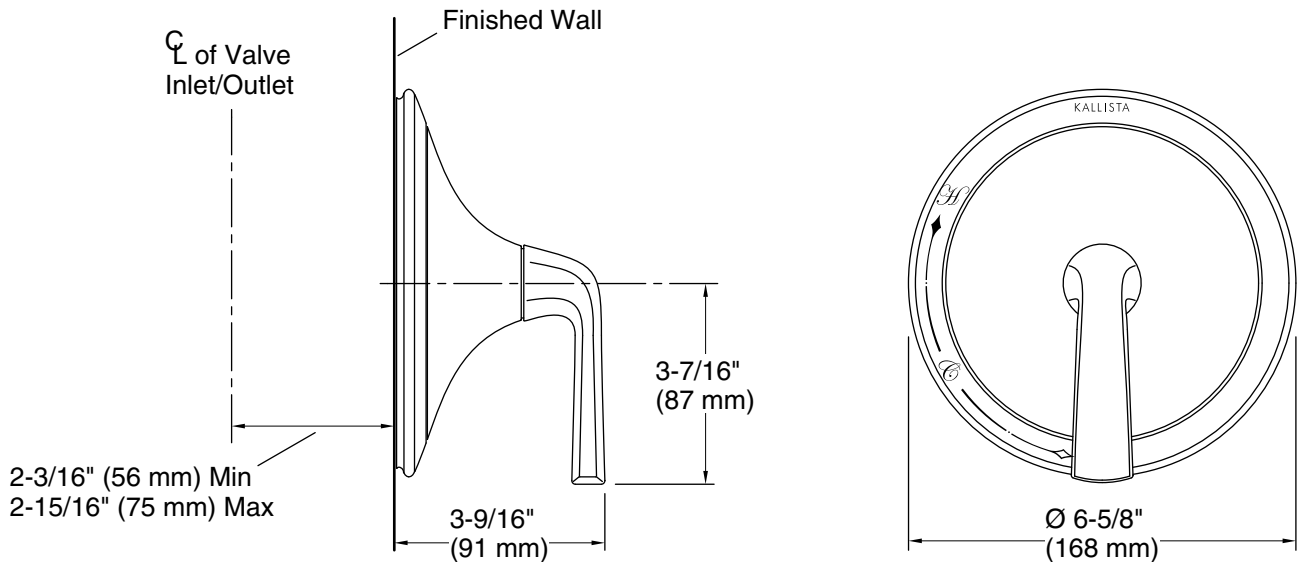
CODES/STANDARDS APPLICABLE

Specified model meets or exceeds the following:

- ASME A112.18.1/CSA B125.1
- ICC/ANSI A117.1
- ADA*
- OBC*
- CSA B651*

* Compliant when installed to the specific requirement of this regulation

P25018



SPECIFIED MODEL				
Model	Description	Finishes		
P25018-LV	Script Pressure Balance Trim	<input type="checkbox"/> CP Polished Chrome	<input type="checkbox"/> AD Nickel Silver	<input type="checkbox"/> BCH Blush Bronze
Required Rough-in				
P19310-00	Pressure Balance Valve	<input type="checkbox"/> N/A		
P19310-US	Pressure Balance Valve, with stops - PEX inlet	<input type="checkbox"/> N/A		
P19310-WS	Pressure Balance Valve, with stops	<input type="checkbox"/> N/A		

We reserve the right to make revisions without notice in the design of products or in packaging unless this right has specifically been waived at the time the order is accepted.