

### FEATURES

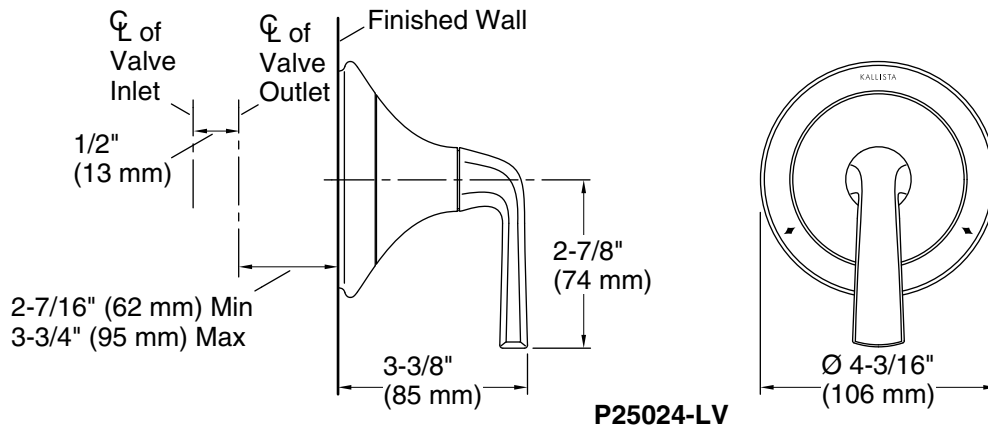
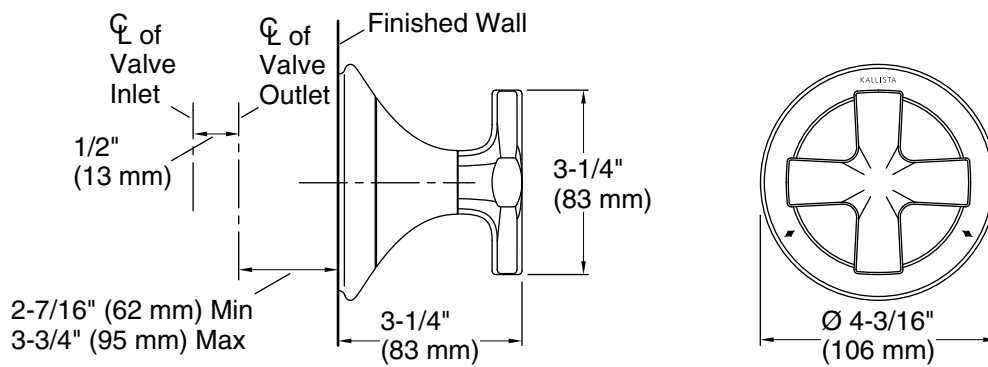
- Solid metal construction for durability and reliability
- Allows bather to direct water flow
- Pairs with a 2- or 3-way transfer valve configuration
- Complements the Script collection

### CODES/STANDARDS APPLICABLE

Specified model meets or exceeds the following:

- ASME A112.18.1/CSA B125.1
- ICC/ANSI A117.1
- ADA\* (Lever only)
- OBC\* (Lever only)
- CSA B651\* (Lever only)

\* Compliant when installed to the specific requirement of this regulation



### SPECIFIED MODEL

Model	Description	Finishes		
P25024-CR	Script Transfer Trim, Cross Handle	<input type="checkbox"/> CP Polished Chrome	<input type="checkbox"/> AD Nickel Silver	<input type="checkbox"/> BCH Blush Bronze
P25024-LV	Script Transfer Trim, Lever Handle	<input type="checkbox"/> CP Polished Chrome	<input type="checkbox"/> AD Nickel Silver	<input type="checkbox"/> BCH Blush Bronze
Required Rough-in				
P29513-00	Transfer Valve	<input type="checkbox"/> N/A		
P29514-00	Transfer Valve, Eco	<input type="checkbox"/> N/A		

We reserve the right to make revisions without notice in the design of products or in packaging unless this right has specifically been waived at the time the order is accepted.