

KALLISTA® Pinna Paletta™ 3-Way Transfer Valve Trim

FEATURES

- Solid brass construction for durability and reliability
- Allows bather to direct water flow
- Pairs with a 2- or 3-way transfer valve configuration
- Complements the Pinna Paletta collection

CODES/STANDARDS APPLICABLE

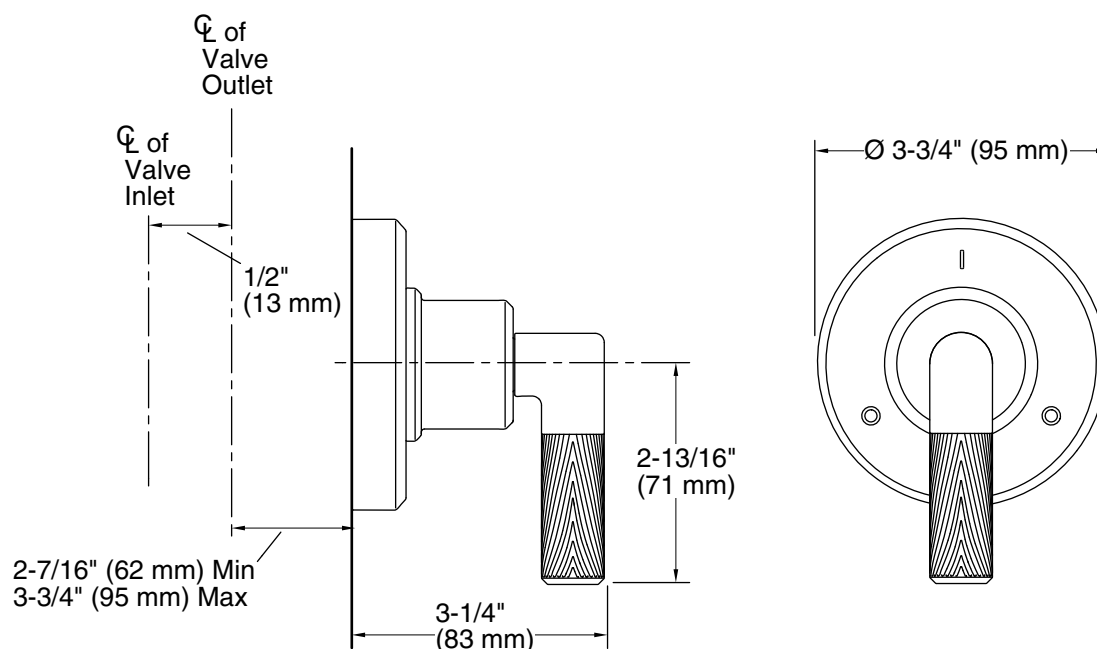
Specified model meets or exceeds the following:

- ASME A112.18.1/CSA B125.1
- ICC/ANSI A117.1
- ADA*
- OBC*
- CSA B651*

ADA **CSA B651** **OBC**

* Compliant when installed to the specific requirement of this regulation

P24924



SPECIFIED MODEL

Model	Description	Finishes
P24924-CPH	Pinna Paletta 3-Way Transfer Valve Trim, w/Polished Chrome Accented Lever Handle	<input type="checkbox"/> CP Polished Chrome
P24924-AD	Pinna Paletta 3-Way Transfer Valve Trim, w/Nickel Silver Accented Lever Handle	<input type="checkbox"/> AD Nickel Silver
P24924-ADW	Pinna Paletta 3-Way Transfer Valve Trim, w/Antique Nickel Silver Accented Lever Handle	<input type="checkbox"/> AD Nickel Silver
P24924-ABW	Pinna Paletta 3-Way Transfer Valve Trim, w/Antique American Bronze Accented Lever Handle	<input type="checkbox"/> BZ Antique Bronze
P24924-ULB	Pinna Paletta 3-Way Transfer Valve Trim, w/Unlacquered Brass Accented Lever Handle	<input type="checkbox"/> ULB Unlacquered Brass
Required Rough-in		
P29513-00	3-Way Transfer Valve	<input type="checkbox"/> NA
P29514-00	3-Way Transfer Valve, Eco	<input type="checkbox"/> NA

We reserve the right to make revisions without notice in the design of products or in packaging unless this right has specifically been waived at the time the order is accepted.