

KALLISTA®

Per Se® Wall-Mounted Sink Faucet

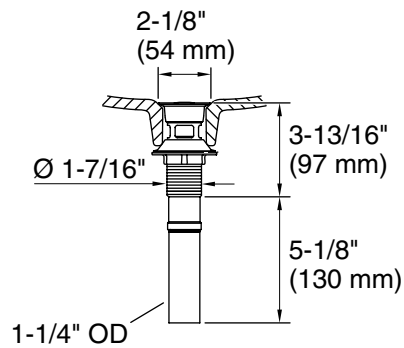
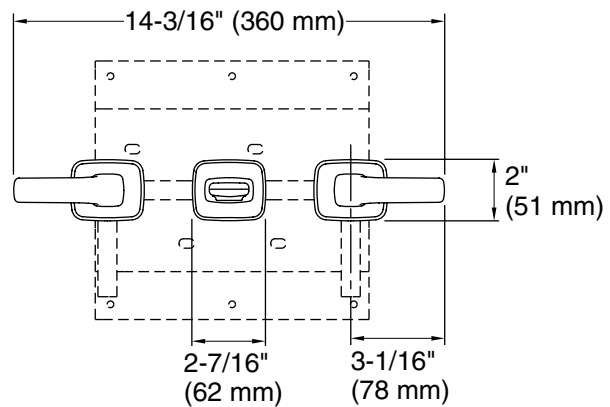
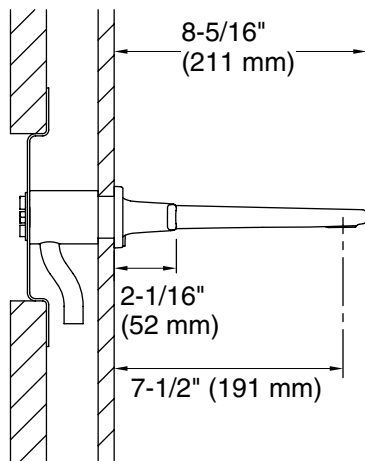
FEATURES

- Solid metal construction for durability and reliability
- Quarter-turn washerless ceramic disc valves
- 1.2 gal/min (4.5 l/min) maximum flow rate
- Includes Soft Touch drain
- Thin, slender form
- Meets CalGreen requirements for bathroom sink faucets
- Complements the Per Se collection

CODES/STANDARDS APPLICABLE

- Specified model meets or exceeds the following:
- ADA
 - ASME A112.18.1/CSA B125.1
 - ICC/ANSI A117.1
 - NSF 61
 - EPA WaterSense®
 - All applicable US Federal and State material regulations

P24702



Soft Touch Drain

SPECIFIED MODEL

Model	Description	Finishes	
P24702-LV	Per Se Wall-Mounted Sink Faucet, Lever Handle	<input type="checkbox"/> CP Polished Chrome	<input type="checkbox"/> AD Nickel Silver
		<input type="checkbox"/> AG Brushed Nickel	<input type="checkbox"/> AF French Gold
Required Rough-in			
P29304-00	Rough-in	<input type="checkbox"/> NA	

We reserve the right to make revisions without notice in the design of products or in packaging unless this right has specifically been waived at the time the order is accepted.