

FEATURES

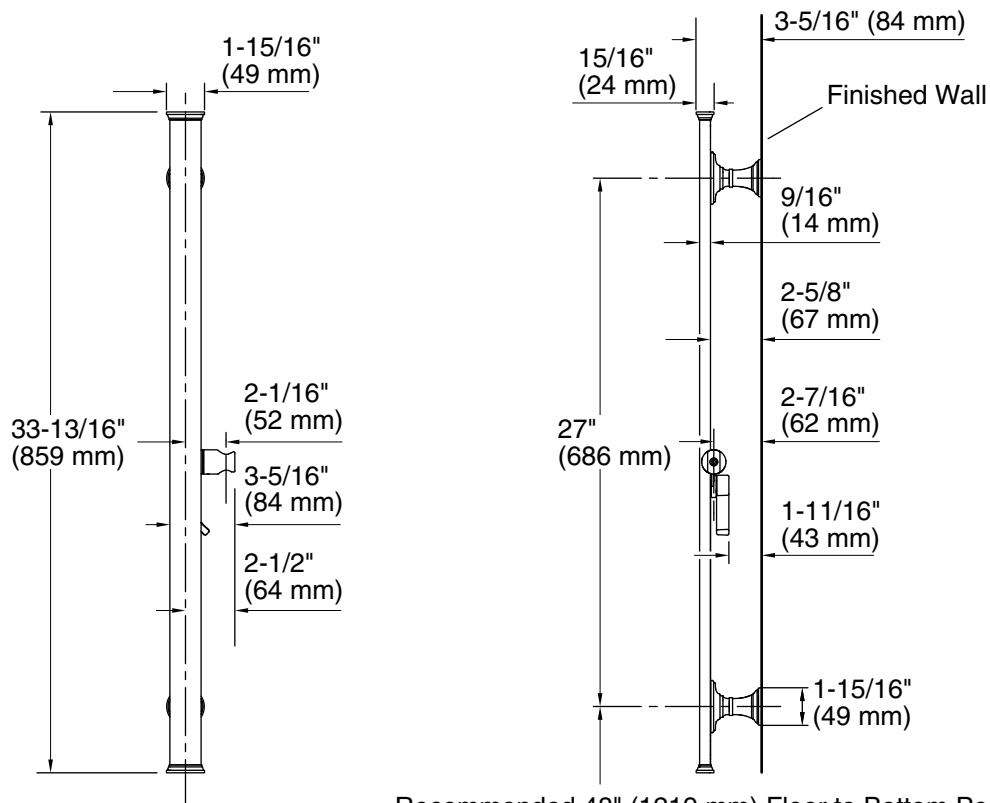
- Solid brass construction for durability and reliability
- Integrated adjustable handshower bracket
- Complements Kallista faucets and fixtures

CODES/STANDARDS APPLICABLE

Specified model meets or exceeds the following:

- ADA
- ICC/ANSI A117.1

P21654



Recommended 48" (1219 mm) Floor to Bottom Post
 ADA Recommendation: 38" (965 mm) - 41" (1041 mm)

SPECIFIED MODEL		FINISHES				
Model	Description	CP Polished Chrome	AD Nickel Silver	AG Brushed Nickel	BZ Antique Bronze	W6 Weathered Bronze
P21654-00	Traditional Slidebar	<input type="checkbox"/>	<input type="checkbox"/>	<input type="checkbox"/>	<input type="checkbox"/>	<input type="checkbox"/>
Recommended Accessories						
P21666-00	Traditional Shelf	<input type="checkbox"/> 0 Stucco White				
P21650-00	Traditional Multi-Function Handshower with Hose	<input type="checkbox"/>	<input type="checkbox"/>	<input type="checkbox"/>	<input type="checkbox"/>	<input type="checkbox"/>
P21650-RF	Traditional Multi-Function ADA Handshower with Hose	<input type="checkbox"/> CP Polished Chrome				
P24039-00	Tuxedo® Wall Supply Elbow	<input type="checkbox"/>	<input type="checkbox"/>	<input type="checkbox"/>	<input type="checkbox"/>	<input type="checkbox"/>

We reserve the right to make revisions without notice in the design of products or in packaging unless this right has specifically been waived at the time the order is accepted.