

# KALLISTA®

## Pléo™ Wall-Mount Toilet

P70361, P70362,  
P70364

Combination P70360

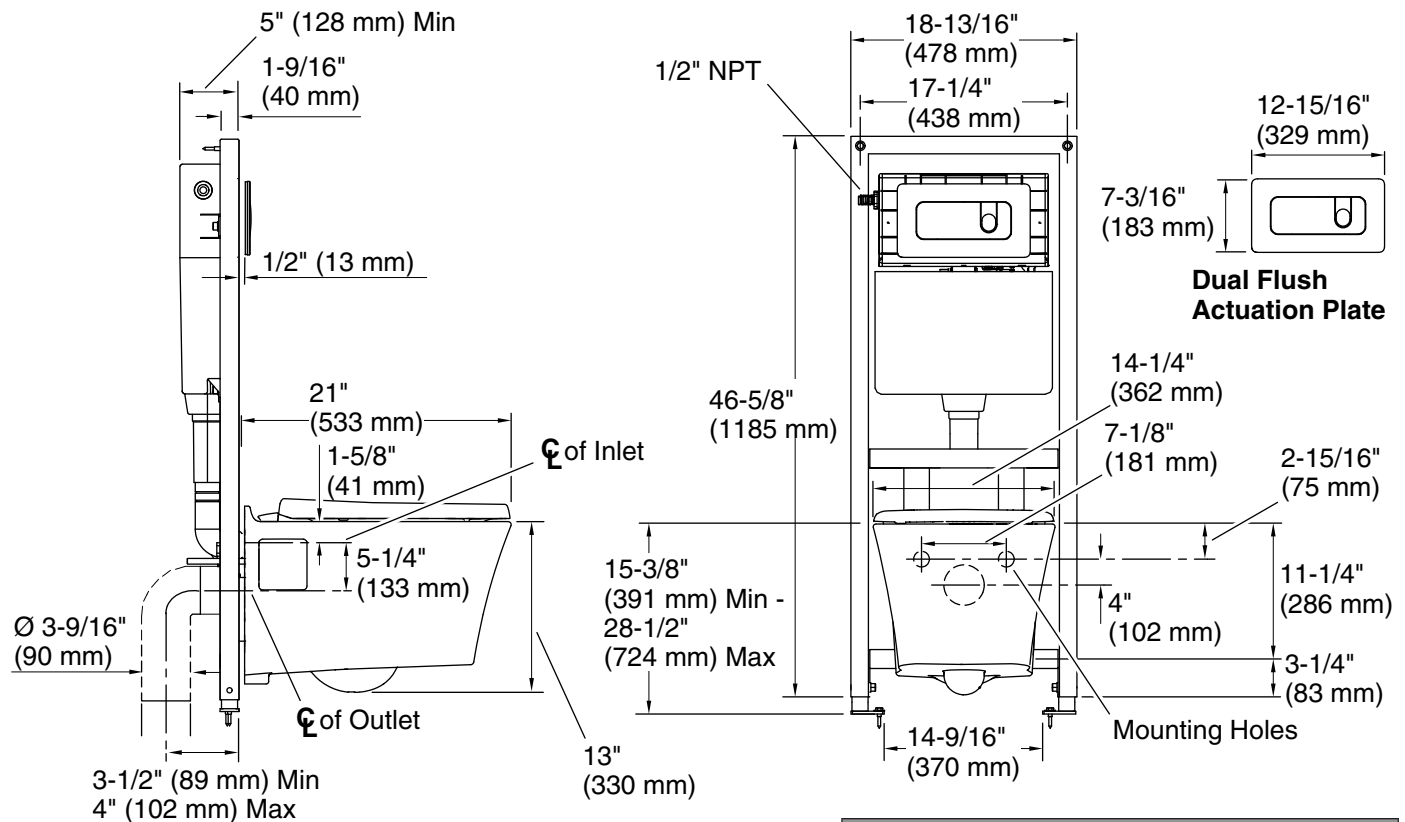
### FEATURES

- One-piece, wall-mount toilet
- Compact elongated bowl offers comfort while occupying the same space as a round-front bowl
- Skirted bowl allows for easy cleaning and eliminates potential debris build-up
- Adjustable durable steel frame carrier allows bowl to be positioned 15-3/8" (391 mm) to 28-1/2" (724 mm) from floor
- Dual-flush actuator offers a choice of 1.0 gpf (3.8 lpf) or 1.6 gpf (6.1 lpf)
- Actuator with glass plate can be removed for easy access to inner tank
- Optional 90 degree cast iron waste pipe for use where required by code

### CODES/STANDARDS APPLICABLE

- ASME A112.19.2/CSA B45.1
- ASME A112.19.14
- EPA WaterSense®
- ASME A112.6.2
- ADA
- ICC/ANSI A117.1
- OBC
- CSA B651

ADA CSA B651 OBC



### PRODUCT INFORMATION

Gallons per flush	1.6 gpf (6.1 L) or 1.0 gpf (3.8 L)
Passageway	3" (76 mm)
Water area	4-1/2" (114 mm) x 5-1/2" (140 mm)
Seat post hole centers	5-1/2" (140 mm)

### SPECIFIED MODEL

Model	Description	Finishes	
P70360-00	Pléo Wall-Mount Combo, Bowl and Carrier System	<input type="checkbox"/> 0 Stucco White	<input type="checkbox"/> 96 Linen
P70361-00	Pléo Wall-Mount Bowl	<input type="checkbox"/> 0 Stucco White	<input type="checkbox"/> 96 Linen
P70362-00	In-Wall Tank and Carrier System	<input type="checkbox"/> NA	

Installation Notes and accessory information continued on next page.

We reserve the right to make revisions without notice in the design of products or in packaging unless this right has specifically been waived at the time the order is accepted.

P70361, P70362,  
P70364  
Combination P70360

SPECIFIED MODEL (CONT.)							
Required Accessory							
P70364-00	Dual-Flush Wall-Mount Toilet Actuator	<input type="checkbox"/> CP Polished Chrome	<input type="checkbox"/> AD Nickel Silver	<input type="checkbox"/> AG Brushed Nickel	<input type="checkbox"/> LB Bronze	<input type="checkbox"/> GN Gunmetal	<input type="checkbox"/> W7 Black Nickel
Recommended Accessory							
P70363-00	Modern Toilet Seat with Slow-Close, Quick Hinge Release	<input type="checkbox"/> 0 Stucco White			<input type="checkbox"/> 96 Linen		
Optional Accessory							
1222845	Cast Iron Waste Pipe Elbow, 90 Degree	<input type="checkbox"/> NA					

INSTALLATION NOTES
Install this product according to the installation guide.
Installation requires 2x6 framing.
In-wall tank and carrier system install in wall opening 5-1/2" (140 mm) x 19" (483 mm) x 50" (1270 mm) minimum.
Refer to manufacturer and local codes for flush valve requirements.
Will comply with the American Disabilities Act (ADA) when installed per the requirements of the 2010 ADA Standards for Accessible Design, Section 604 Water Closets.