

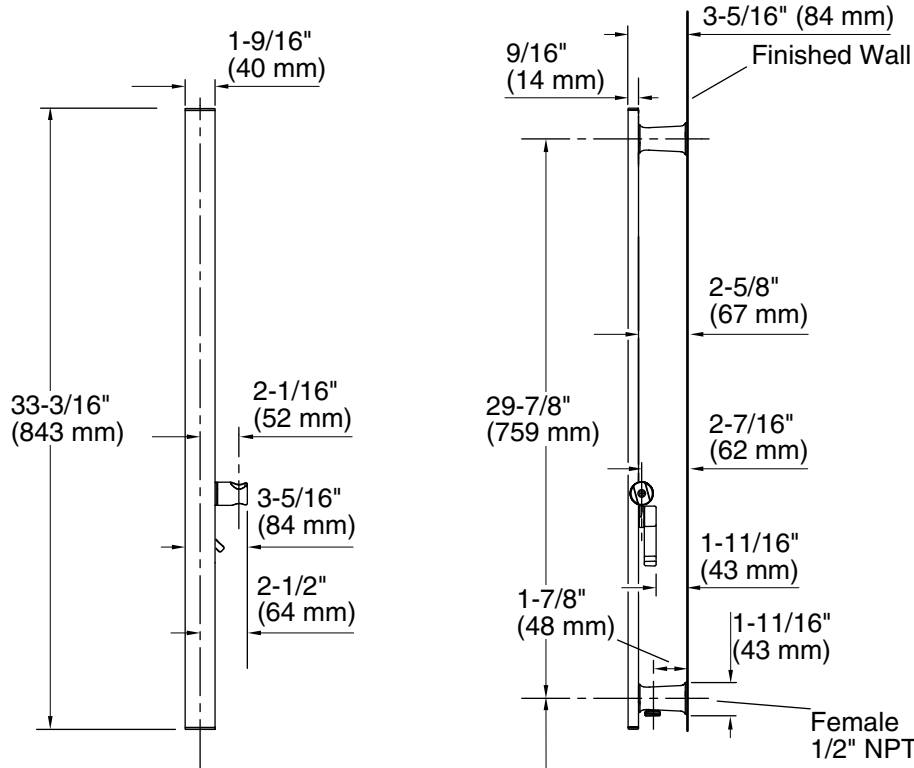
FEATURES

- Solid brass construction for durability and reliability
- Integrated water supply eliminates the need for a separate supply
- Integrated adjustable handshower bracket
- Complements Kallista faucets and fixtures

CODES/STANDARDS APPLICABLE

- Specified model meets or exceeds the following:
- ASME A112.18.1/CSA B125.1
 - ADA
 - ICC/ANSI A117.1

P21664



Recommended 48" (1219 mm) Floor to Bottom Post
 ADA Recommendation: 38" (965 mm) - 41" (1041 mm)

SPECIFIED MODEL							
Model	Description	Finishes					
P21664-00	Contemporary Slidebar	<input type="checkbox"/> CP Polished Chrome	<input type="checkbox"/> AD Nickel Silver	<input type="checkbox"/> AG Brushed Nickel	<input type="checkbox"/> LB Bronze	<input type="checkbox"/> GN Gunmetal	<input type="checkbox"/> W7 Black Nickel
Recommended Accessories							
P21665-00	Contemporary Shelf	<input type="checkbox"/> 0 Stucco White					
P21660-00	Contemporary Multi-Function Handshower with Hose	<input type="checkbox"/> CP Polished Chrome	<input type="checkbox"/> AD Nickel Silver	<input type="checkbox"/> AG Brushed Nickel	<input type="checkbox"/> LB Bronze	<input type="checkbox"/> GN Gunmetal	<input type="checkbox"/> W7 Black Nickel
P21660-RF	Contemporary Multi-Function ADA Handshower with Hose	<input type="checkbox"/> CP Polished Chrome					
P24843-00	One Wand Dual-Function Handshower with Hose	<input type="checkbox"/> CP Polished Chrome	<input type="checkbox"/> AD Nickel Silver	<input type="checkbox"/> AG Brushed Nickel		<input type="checkbox"/> GN Gunmetal	

We reserve the right to make revisions without notice in the design of products or in packaging unless this right has specifically been waived at the time the order is accepted.