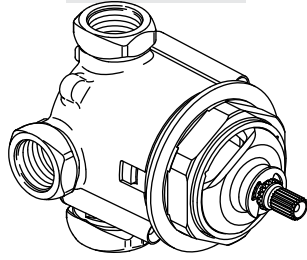


# Installation Guide

## Three-Way Transfer Valve

P29513, P29514



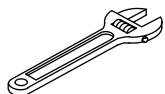
KALLISTA.

1091987-2-B

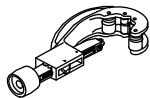
## Thank You For Choosing Kallista

We appreciate your commitment to KALLISTA quality products. Please take a moment to review this manual before you install your KALLISTA product. If you encounter any installation or performance problems, please do not hesitate to contact us from within the USA or Canada at 1-888-4-KALLISTA (1-888-452-5547).

## Tools and Materials



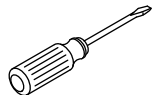
Adjustable Wrench



Tubing Cutter



Solder



Bladed Screwdriver



Thread Sealant



Propane Torch

### Plus:

- 1/2" Piping or Copper Tubing for Outlets
- 3/4" Piping or Copper Tubing for Inlets

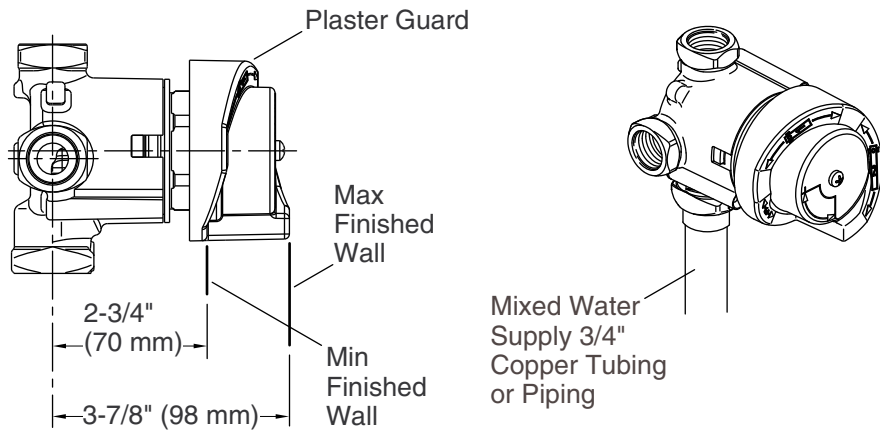
## Before You Begin

**IMPORTANT! Risk of product damage.** Do not apply direct heat to the transfer valve body. Excessive heat will damage the plastic valve components and plaster guard.

- Observe all local plumbing and building codes.
- Do not remove the plaster guard from the transfer valve until instructed to do so.
- A mixed water supply is required for this transfer valve.
- Do not plug any outlets on this transfer valve. The transfer valve is not intended to be used as a shut-off valve.
- If less than three accessories will be installed, connect the unused transfer valve port to one of the accessories. All outlet ports must be connected to an accessory, even if one accessory is connected to two transfer valve outlet ports.
- Carefully plan the installation before beginning. Carefully read the entire instructions. Component location, spacing, and situational requirements can vary.
- Shut off the main water supply.

**Before You Begin (cont.)**

- Inspect the waste and supply tubing; replace if necessary.
- KALLISTA reserves the right to make revisions in the design of products without notice, as specified in the Price Book.

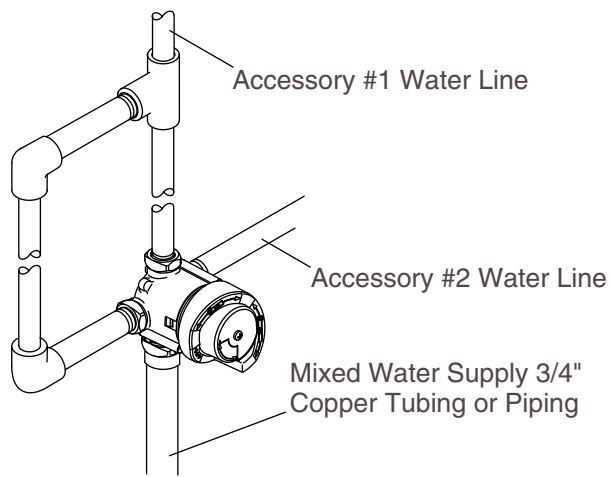


## 1. Prepare the Site

- Provide a 2-7/8" (73 mm) to 3-1/8" (79 mm) diameter hole in the wall material for the plaster guard.

## 2. Route and Connect the Water Supply

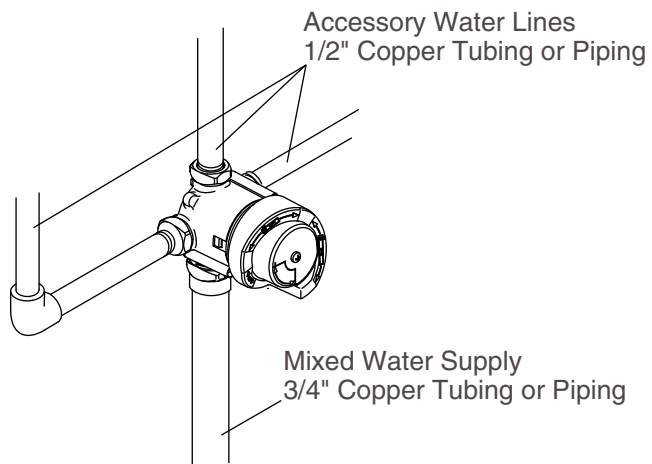
- Route the 3/4" mixed water supply line to the transfer valve location.
- Apply thread sealant to the inlet port threads and connect the water supply to the transfer valve inlet.



### 3. Two-Way Installations

**IMPORTANT! Do not plug any outlets on this transfer valve. The transfer valve is not intended to be used as a shut-off valve.** If less than three accessories will be installed, connect the unused transfer valve port to one of the accessories. All outlet ports must be connected to an accessory, even if one accessory is connected to two transfer valve outlet ports.

- Install 1/2" copper tubing or 1/2" piping for both accessories. Use a tee to connect two of the outlet ports. Securely fasten the piping and outlet ells to the framing.
- Install temporary 1/2" nipples in the outlet ells so they extend a minimum of 2" (51 mm) beyond the planned finished wall.
- Turn on the water supply to the transfer valve and check the transfer valve for proper operation and leakage. Once everything is verified, turn off the water.
- Install caps on the temporary bath and shower nipples. Turn on the water and check for leaks. Once no leakage is verified, turn off the water.
- Complete the finished wall.
- Remove and discard the plaster guard.
- Install the trim according to the installation instructions packed with the trim.



#### 4. Three-Way Installations

- Install 1/2" copper tubing or 1/2" piping for all accessories. Securely fasten the piping and outlet ells to the framing.
- Install temporary 1/2" nipples in the outlet ells so they extend a minimum of 2" (51 mm) beyond the finished wall.
- Turn on the water supply to the transfer valve and check the transfer valve for proper operation and leakage. Once everything is verified, turn off the water.
- Install caps on the temporary bath and shower nipples. Turn on the water and check for leaks. Once no leakage is verified, turn off the water.
- Complete the finished wall.
- Remove and discard the plaster guard.
- Install the trim according to the installation instructions packed with the trim.

1091987-2-B

USA/Canada: 1-888-4-KALLISTA

Fax: 1-888-272-3094

[kallista.com](http://kallista.com)

**KALLISTA**

©2012 KALLISTA

1091987-2-B