

---

**Kaishan Technologies  
Rotary Screw Air  
Compressor**

---

**KRSB 5.5-7.5HP  
Parts Manual**

---

---

October 2022

New design

(115PSI/125PSI/150PSI/175PSI/208-230V/380V/460V/575V/FS/60HZ/BELT/ASME/UL)

## TABLE OF CONTENTS

---

<b>Service Parts .....</b>	<b>3</b>
<b>Serial Number .....</b>	<b>3</b>
<b>Fluid Specification .....</b>	<b>4</b>
<b>Spare Parts .....</b>	<b>5</b>
<b>Airend and Inlet valve.....</b>	<b>6</b>
<b>Base Mounting.....</b>	<b>8</b>
<b>Reservoir .....</b>	<b>10</b>
<b>Driving System and Electrical Motor .....</b>	<b>12</b>
<b>Air Cooler .....</b>	<b>14</b>
<b>Fluid Piping.....</b>	<b>16</b>
<b>Air Piping.....</b>	<b>18</b>
<b>Cabinet.....</b>	<b>20</b>
<b>Electrical Enclosure .....</b>	<b>22</b>
<b>Decals .....</b>	<b>24</b>
<b>Standard Terms and Conditions.....</b>	<b>27</b>
<b>Appendix.....</b>	<b>30</b>
<b>Contact Information .....</b>	<b>31</b>

## Service Parts

---

The following information must be provided for ordering service parts:


1. The serial number of unit must be provided. It will be verified to ensure correct replacement parts are ordered.
2. Service parts must be ordered from closest authorized distributor.
3. Exact part number, quantity and delivery method must be provided.

All service parts must be ordered through nearest authorized distributor. Insist on genuine manufacturer parts only. Failure to do so may void product warranty.

## Serial Number

---

The unit serial number can be found on serial number tag, which is located on the cabinet corner post of the unit. The serial number tag is shown as follows.

		SCREW AIR COMPRESSOR	
MODEL	<input type="text"/>		
SERIAL NUMBER	<input type="text"/>		
RATED DISCHARGE PRESSURE	<input type="text"/>	PSI	MOTOR POWER <input type="text"/> HP
RATED SPEED	<input type="text"/>	RPM	NET WEIGHT <input type="text"/> KG
OVERAL DIMENSIONS (L x W x H) MM	<input type="text"/>		
VOLTAGE	<input type="text"/>	DATE OF MFG	<input type="text"/>
KAISHAN COMPRESSOR, Loxley, AL USA			

## Fluid Specification

---

All KRSB Compressors must use Kaishan Technologies recommended fluid for maintenance.

## Spare Parts

Recommended spare parts are shown as follows:

ITEM	No.	QTY	PART NUMBER	DESCRIPTION		
1		1	07703 01140 00	Air filter element		
2		1	07709 94172 00	Oil filter		
3		1	07704 10080 12	Fluid/air separator element		



## Airend and Inlet valve

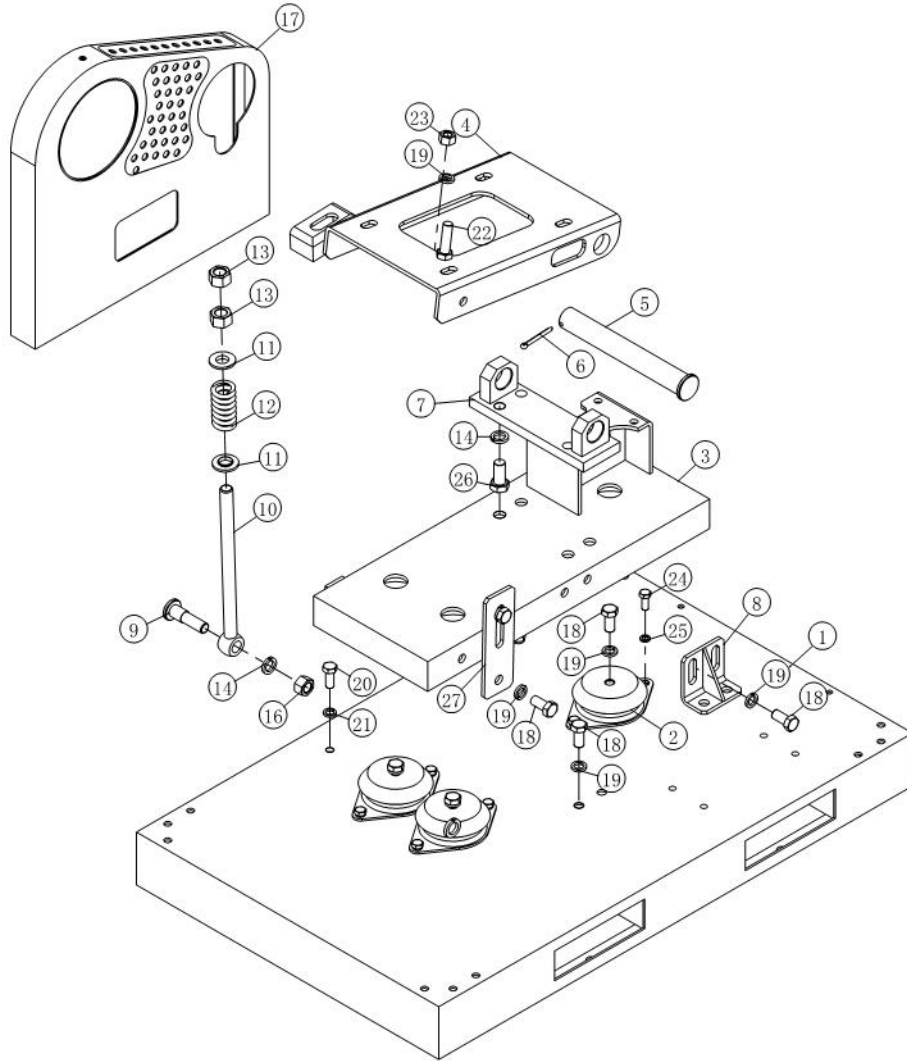
(GROUP PN: )

NO.	PN	DESCRIPTION	QTY	REMARK
1	0360302	Airend	1	
2	02901 05150 30	O-ring	1	51.5X3.55
3	01608 02502 03	Inlet valve	1	
3A*	04002 02502 00	Inlet valve kit	1	Top cover, Spring A, Spring B, O-ring
4	13315 01005 02	Clamp ring	1	
5	13315 01005 00	Clamp ring	1	
6	01513 06100 00	Joint	3	
7	82219 01009 00	Oil return pipe	1	
8	04401 04607 00	Hoop	1	
9	07702 04087 97	Air filter	1	
	07703 01140 00	Air filter element		
10	01603 21020 01	Solenoid valve	1	14bar, 2.0
11	01512 06100 00	Joint	3	
12	82219 01008 00	Air control pipe	1	
13	01610 03000 02	Check valve	1	
14	82219 01007 00	Oil return pipe	1	
15	82219 00004 00	Discharge pipe	1	
16	02901 01600 20	O-ring	1	16X2.65
17	6630 0000 85	Joint	1	R1-M30X1.5
18	02901 00950 10	O-ring	1	9.5X1.8
19	02201 01215 00	Screw washer	1	
20	01610 01010 01	Oil sight check valve	1	

\*Items not shown on the drawing.

# Base Mounting

---





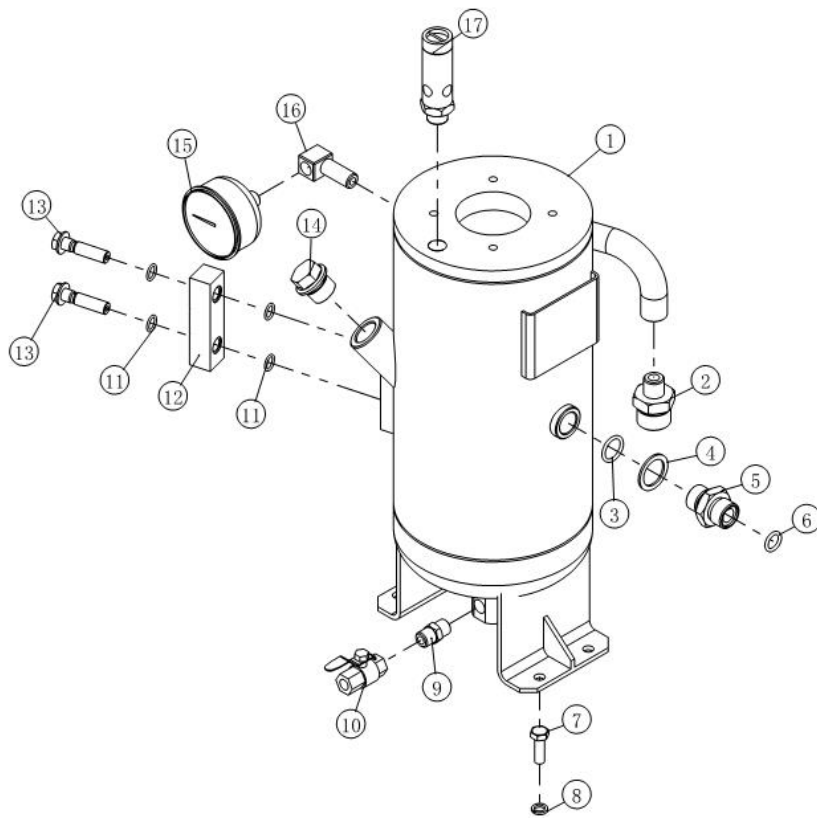
## Base Mounting

(GROUP PN: )

NO.	PN	DESCRIPTION	QTY	REMARK
1	82219 02010 00	Base	1	
2	02905 00006 00	Absorber	3	
3	82219 02030 00	Support seat	1	
4	82219 02020 00	Motor seat	1	
5	10315 02002 00	Pin	1	
6	01384 50040 00	Cotter pin	1	5X40
7	10315 02001 00	Support seat	1	
8	12419 02002 00	Fixing plate, shipping	1	
9	82219 02003 00	Pin	1	
10	13323 02001 00	Bolt	1	
11	13323 02003 00	Washer	2	
12	13323 02002 00	Spring	1	
13	01322 16000 00	Nut	2	M16
14	01365 14000 00	Washer	5	14
15	01365 16000 00	Washer	1	16
16	01322 14000 00	Nut	1	M14
17	82219 02008 00	Safety cover	1	7.5HP
	79219 02008 00	Safety cover	1	5HP
18	01307 12025 00	Bolt	9	M12X25
19	01365 12000 00	Washer	13	12
20	01307 10025 00	Bolt	2	M10X25
21	01365 10000 00	Washer	2	10
22	01307 12040 00	Bolt	4	M12X40
23	01322 12000 00	Nut	4	M12
24	01307 08020 00	Bolt	6	M8X20
25	01365 08000 00	Washer	6	8
26	01307 14030 00	Bolt	4	M14X30
27	82219 02009 00	Fixing plate, motor	1	

# Reservoir

---



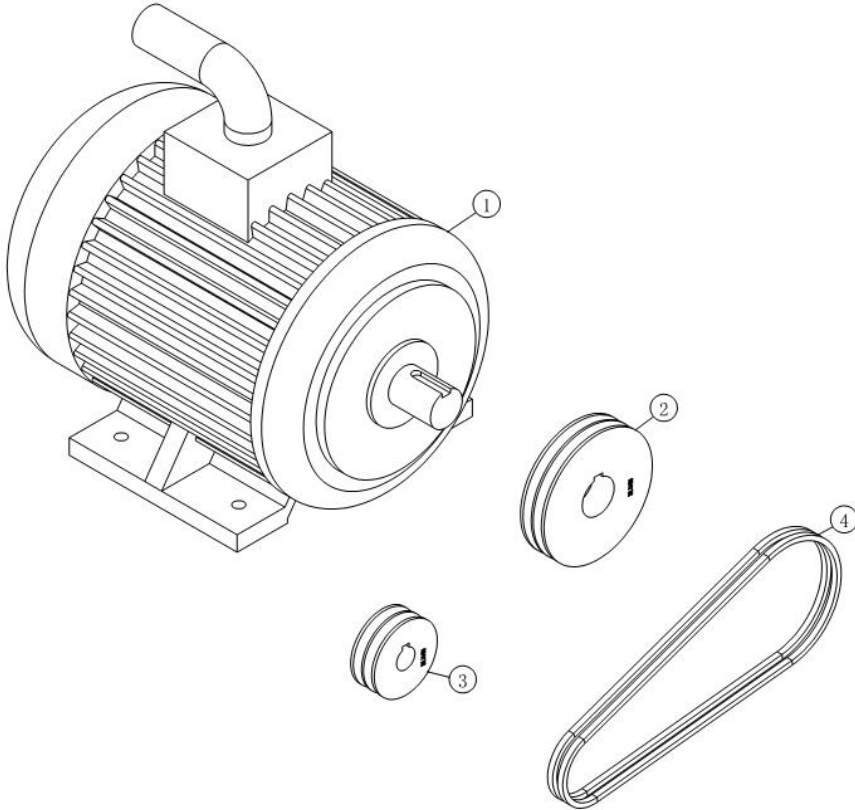
## Reservoir

(GROUP PN: )

NO.	PN	DESCRIPTION	QTY	REMARK
1	82219 03010 00	Fluid/air separator tank	1	ASME,UL
	82219 03010 92			GB
2	6620001292	Joint	1	R0.375-M27X1.5
3	02901 01800 20	O-ring	1	18X2.65
4	02201 00015 00	Screw washer	1	
5	84219 06006 00	Joint	1	
6	02901 01250 20	O-ring	1	
7	01307 08025 00	Bolt	4	M8X25
8	01365 08000 00	Washer	4	8
9	98018 07011 00	Joint	1	
10	01613 00800 00	Ball valve	1	
11	01534 12000 00	Bond washer	4	
12	13315 03002 04	Oil sight glass	1	
13	13315 03001 00	Hollow bolt	2	M10X40
14	53404 01002 00	Plug	1	
15	02801 06308 00	Pressure gauge	1	
16	12419 07005 00	Elbow	1	
17	/	/	/	ASME,UL
	01601 10175 07	Relief valve	1	GB

# Driving System and Electrical Motor

---



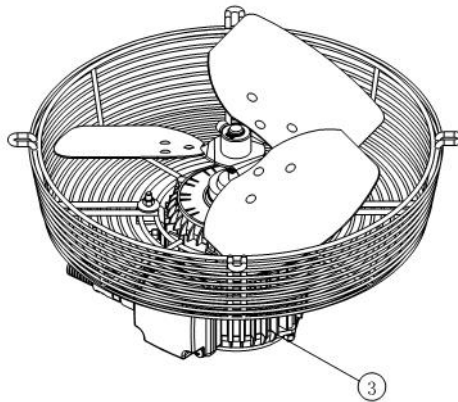
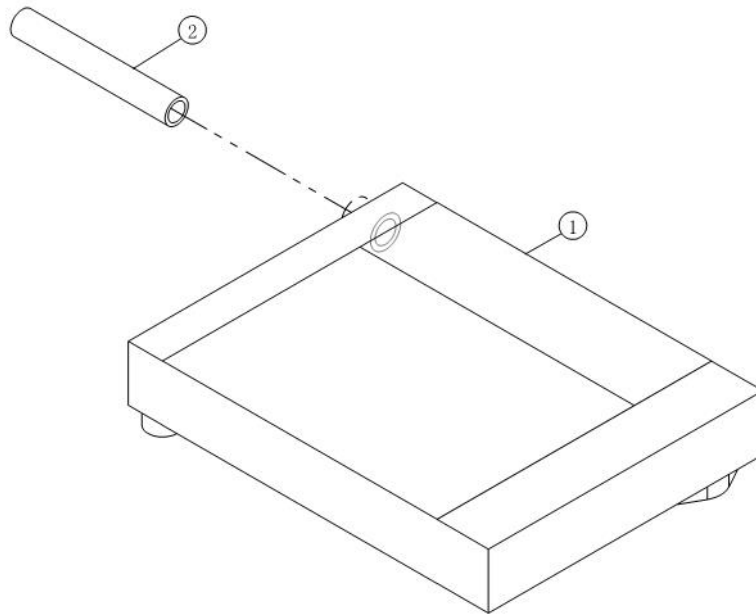
## Driving System and Electrical Motor

(GROUP PN: )

NO.	PN	DESCRIPTION	QTY	REMARK
1	62005 37631 24	Motor (WEG)	1	5.5KW,208-230/460V,60HZ,IE3
	62004 37631 21			4KW,208-230/460V,60HZ,IE3
	62004 58631 21			4kW,575V,60Hz,IE3
	62005 58631 24			5.5kW,575V,60Hz,IE3
2	01812 09020 28	Motor sheave	1	5-115/125/150 Psi
	01812 08020 28			5-175 Psi
	01812 12520 38			7.5-115/125/150 Psi
	01812 11820 38			7.5-175 Psi
3	01812 06720 22	Airend sheave	1	7.5-115 Psi
	01812 07120 22			5-115/125 Psi、 7.5-125 Psi
	01812 08020 22			5-150/175 Psi、 7.5-150 Psi
	01812 09020 22			7.5-175 Psi
4	01808 00710 00	Belt	2	5-115/125/175 Psi
	01808 00730 00			5-150 Psi
	01808 00787 00			7.5-115/125 Psi
	01808 00800 00			7.5-150/175 Psi

# Air Cooler

---



# Air Cooler

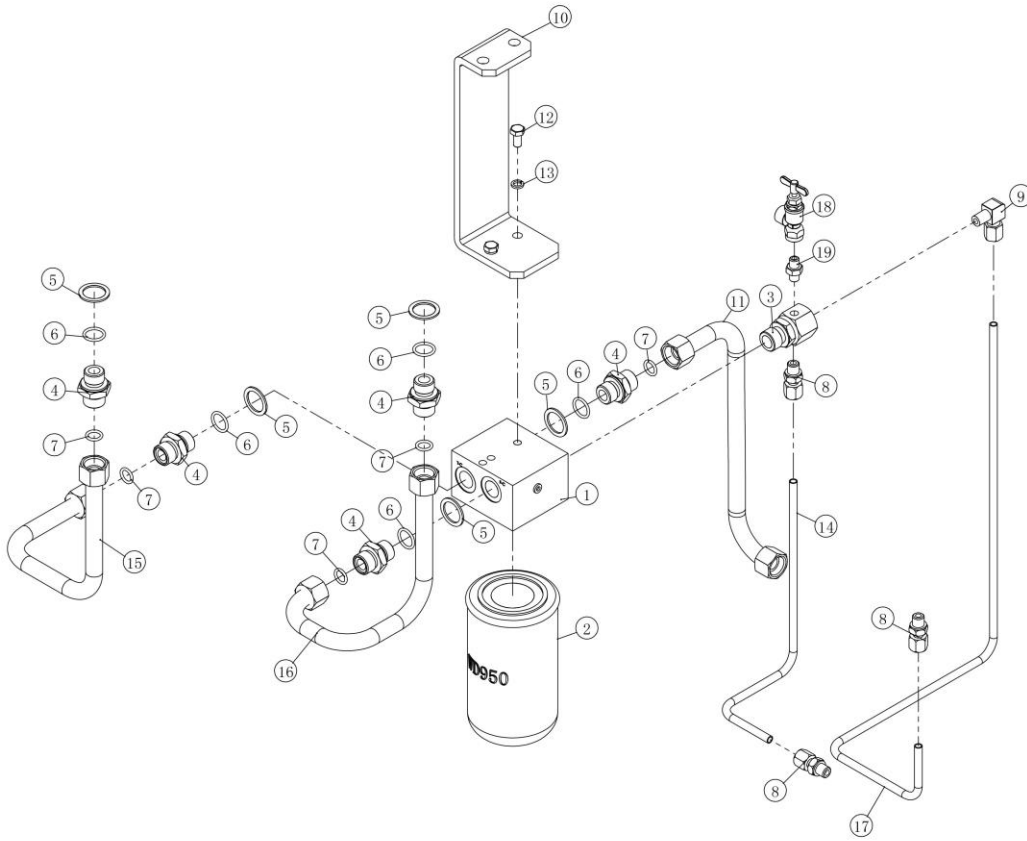
(GROUP PN: )

---

NO.	PN	DESCRIPTION	QTY	REMARK
1	82219 05010 00	Cooler	1	
2	82219 05002 00	Discharge pipe	1	R0.75-NPT0.75
3	07211 30003 40	Axial flow fan	1	208-230/460V、60HZ,UL
	07211 30006 40	Axial flow fan	1	575V, 60HZ

# Fluid Piping

---





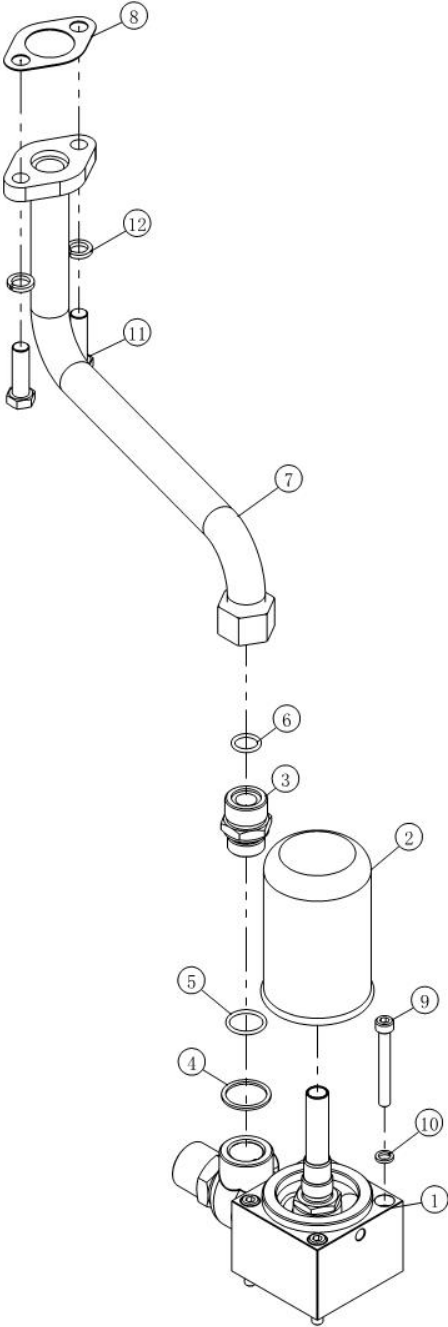
## Fluid Piping

(GROUP PN: )

NO.	PN	DESCRIPTION	QTY	REMARK
1	01611 01583 02	Thermal valve	1	
1A *	04004 15083 00	Thermal valve kit	1	O-ring 31.9x2.62, Valve element, Sleeve, Spring.
2	07709 94172 00	Oil filter	1	
3	10333 06006 00	Joint	1	
4	84219 06006 00	Joint	5	
5	02201 00015 00	Screw washer	5	
6	02901 01800 20	O-ring	5	18X2.65
7	02901 01250 20	O-ring	5	12.5X2.65
8	01523 08670 00	Joint	3	
9	01513 08670 00	Joint	1	
10	82219 06006 00	Oil filter support	1	
11	82219 06001 00	Oil pipe	1	Inlet thermal valve
12	01307 08016 00	Bolt	2	M8X16
13	01365 08000 00	Washer	2	8
14	82219 06110 00	Oil injection pipe	1	
15	82219 06003 00	Oil pipe	1	Outlet cooler
16	82219 06002 00	Oil pipe	1	Inlet cooler
17	82219 06004 00	Oil pipe	1	Inlet airend
18	01613 00600 99	Sample valve	1	
19	98018 07011 06	Joint	1	

\*Items not shown on the drawing.

# Air Piping



## Air Piping

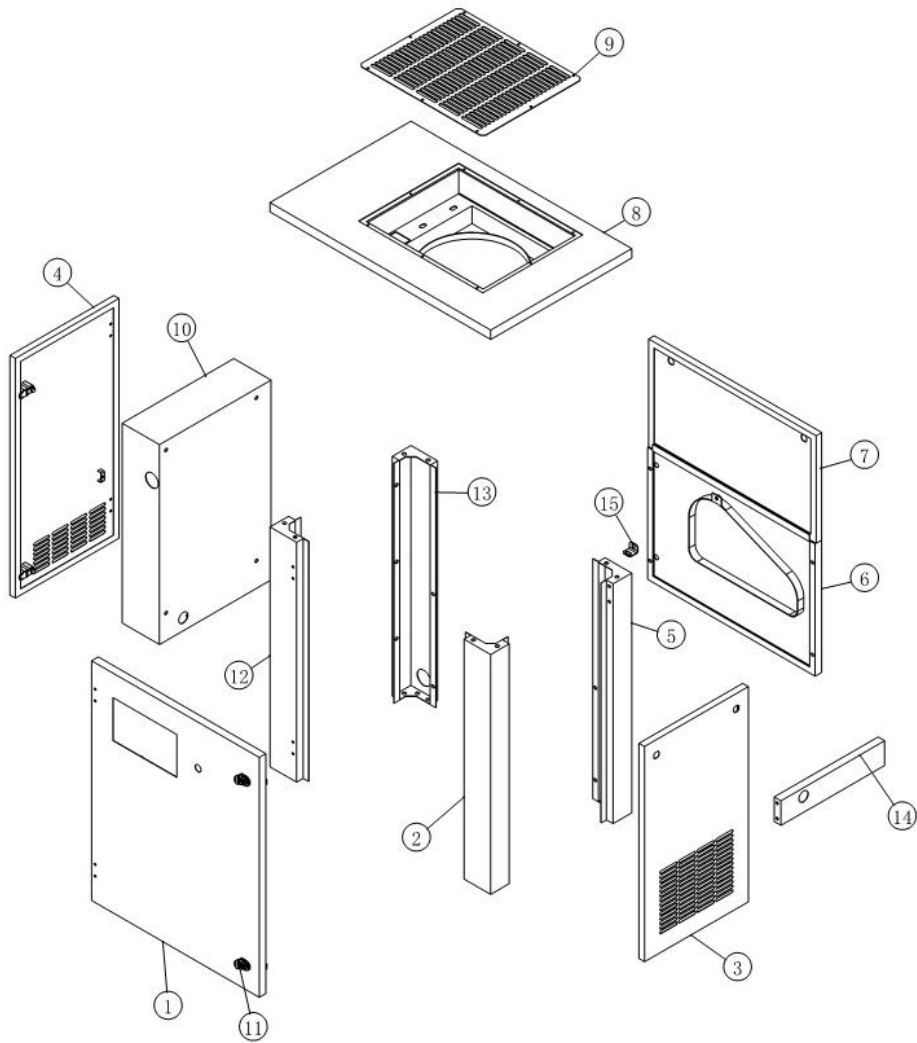
(GROUP PN: )

NO.	PN	DESCRIPTION	QTY	REMARK
1	01617 00020 03	Combination valve	1	
1A	01612 02001 03	MPV	1	
1B*	04006 02001 00	MPV kit	1	Check valve element, Spring, Valve element, Check spring, O-ring 20.3x24
1C*	04002 00020 00	Separator base O-ring kit	1	O-ring 20x25, O-ring 25.12x1.78, O-ring 71.12x2.62
2	07704 10080 12	Fluid/air separator element	1	
3	13315 06009 09	Joint	1	
4	02201 00020 00	Screw washer	1	
5	02901 02360 20	O-ring	1	23.6X2.65
6	02901 01600 20	O-ring	1	16X2.65
7	87219 00001 00	Discharge pipe	1	
8	13323 05002 06	Gasket	1	
9	01344 08065 00	Screw	4	M8X65
10	01365 08000 00	Washer	4	8
11	01307 12040 00	Bolt	2	M12X40
12	01365 12000 00	Washer	2	12

\*Items not shown on the drawing.

# Cabinet

---



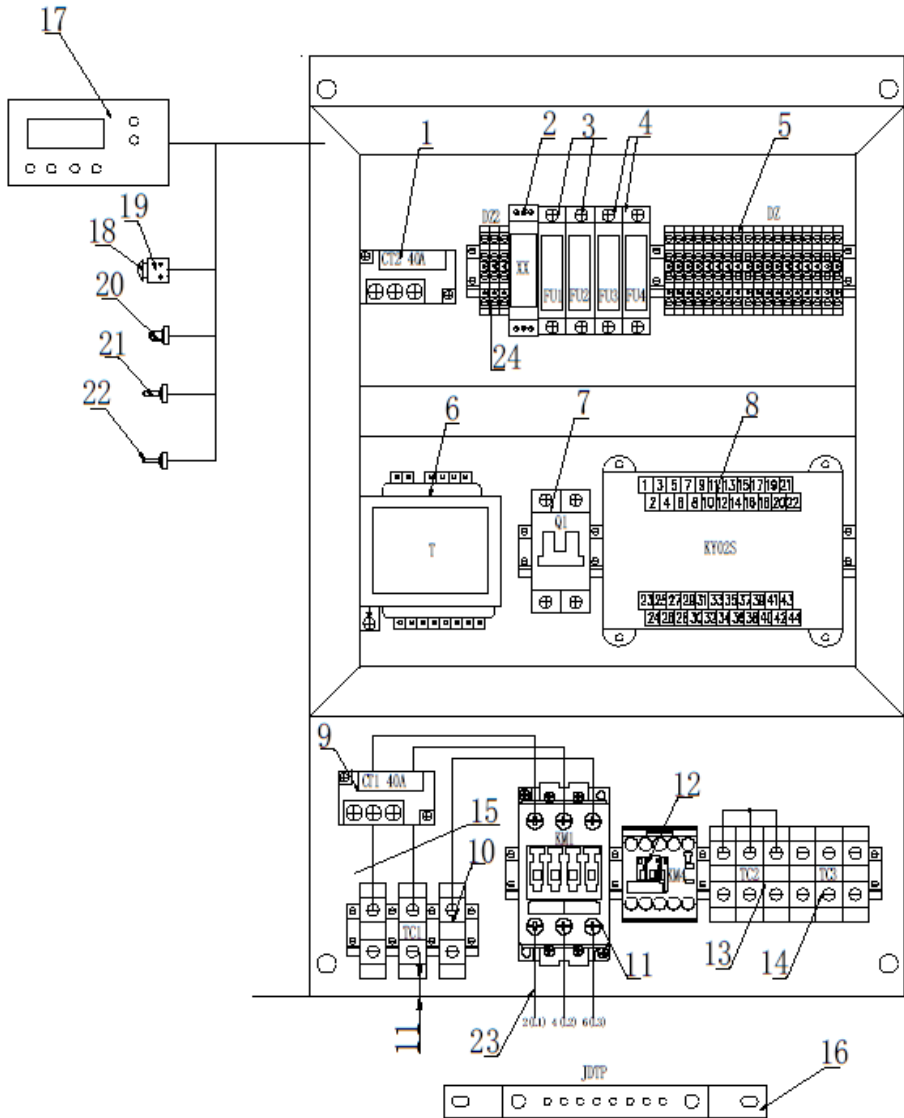
# Cabinet

(GROUP PN: )

---

NO.	PN	DESCRIPTION	QTY	REMARK
1	82219 08002 00	Door	1	
2	82219 08003 00	Support	1	
3	82219 08004 00	Door	1	
4	82219 08006 00	Air inlet door	1	
5	82219 08007 00	Support	1	
6	82219 08008 00	Baffle	1	
7	82219 08009 00	Door	1	
8	82219 08100 00	Top cover	1	
9	82219 08110 00	Top net cover	1	
10	82219 08120 00	Electric cabinet	1	
11	02702 71111 03	Lock	4	
12	82219 08001 00	Support	1	
13	82219 08005 00	Support	1	
14	82219 08170 00	Fixing plate	1	
15	84219 08140 00	Fixing plate	1	

# Electrical Enclosure



## Electrical Enclosure

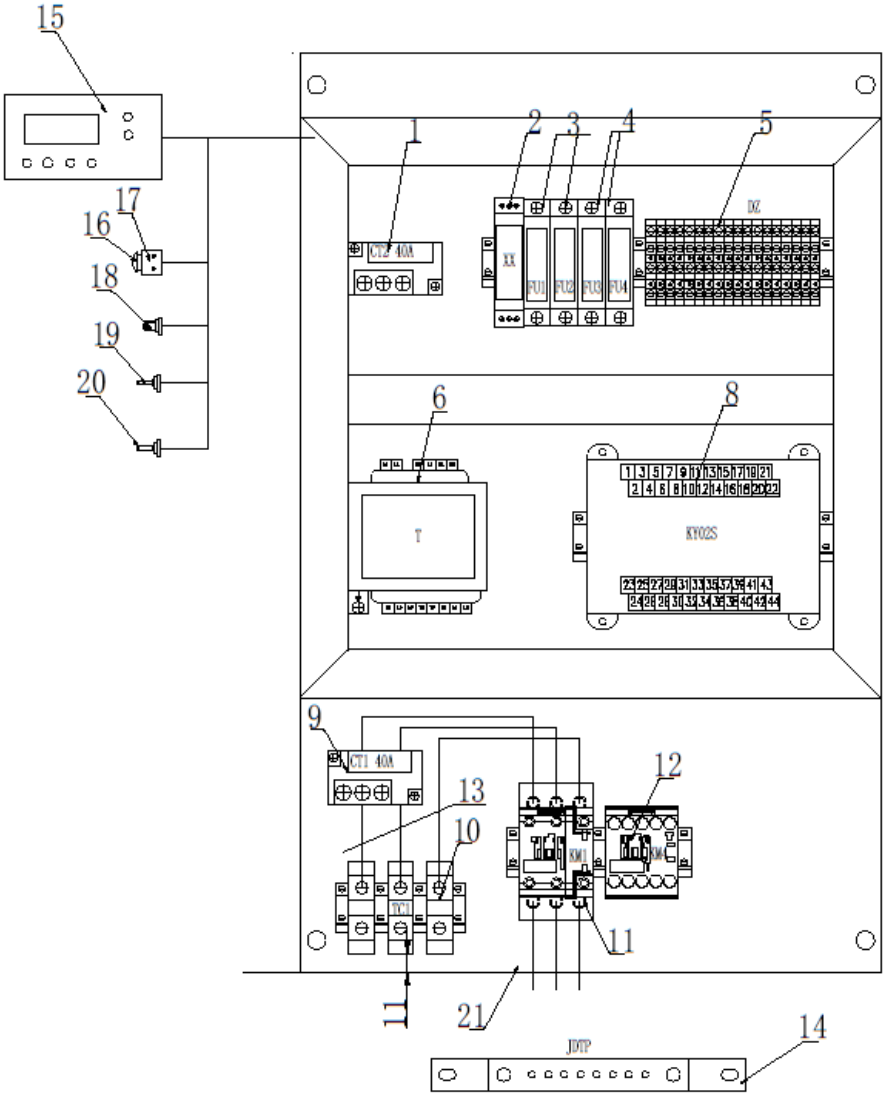
( 208/230/460V )

NO.	PN	DESCRIPTION	QTY	REMARK
1	02824 20040 00	TERMINAL BLOCK	1	CT2
2	02814 00080 00	Phase sequence protector	1	XX
3	02820 00001 00	FUSE BLOCK	2	FU1-FU2
4	02820 00001 00	FUSE BLOCK	2	FU3-FU4
5	08703 00004 00	TERMINAL BLOCK	18	DZ
6	02818 01000 10	Transformer	1	T
7	02819 06526 00	Miniature breaker	1	Q1
8	02811 00204 55	Host controller	1	PLC
9	02824 10040 00	Current transformer	1	CT1
10	08703 00035 00	Terminal block	3	TC1
11	02825 00341 00	AC contactor	1	KM1
12	02825 60038 00	AC contactor	1	KM4
13	08703 00035 00	Terminal block	3	TC2
14	08703 00035 00	Terminal block	3	TC3
15	08704 10006 00	Cable	0.6M	BVR
16	02829 32020 60	Grounding copper bar	1	JDTP
17	02815 00202 02	Monitor	1	XSQ
18	02827 04844 00	Emergency button	1	JT
19	02827 04104 00	Emergency button support	1	JT
20	02810 00016 00	Pressure sensor	1	DP
21	02810 10004 00	Temperature sensor	1	DT
22	02810 10004 00	Temperature sensor	1	ST
23		Electric control board	1	DKB
24	08703 00004 00	Terminal block	3	DZ
*25	02821 10002 00	Fuse	4	FU1-FU4

Note: \* Items are not shown on the drawing.

# Electrical Enclosure

(5HP/575V)





# Electrical Enclosure

(5HP/575V)

---

NO.	PN	DESCRIPTION	QTY	REMARK
1	02824 20040 00	Fan motor transformer	1	CT2
2	02814 05169 00	Phase sequence protector	1	XX
3	02820 00001 00	Fuse block	2	FU1-FU2
4	02820 00001 00	Fuse block	2	FU3-FU4
5	08703 00004 00	Terminal block	18	DZ
6	02818 01000 10	Transformer	1	T
8	02811 00202 59	Controller	1	PLC
9	02824 10040 00	Motor transformer	1	CT1
10	08703 00035 00	Terminal block	3	TC1
11	02825 60018 01	AC contactor	1	KM1
12	02825 60038 00	Fan motor contactor	1	KM4
13	08704 12004 00	Cable	0.6M	BVR
14	02829 32020 60	Grounding copper bar	1	JDTP
15	02815 00201 04	Monitor	1	XSQ
16	02827 04844 00	Emergency stop button	1	JT
17	02827 04104 00	Emergency stop button seat	1	JT
18	02810 00016 00	Pressure sensor	1	DP
19	02810 10004 00	Temperature sensor	1	DT
20	02810 10004 00	Temperature sensor	1	ST
21		Electric control board	1	DKB
*22	02821 10002 00	Fuse	4	FU1-FU4

Note: \* Items are not shown on the drawing.



# Electrical Enclosure

(7.5HP/575V)

---

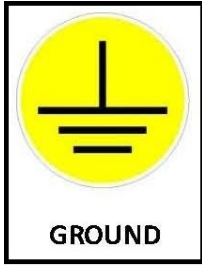
NO.	PN	DESCRIPTION	QTY	REMARK
1	02824 20040 00	Fan motor transformer	1	CT2
2	02814 05169 00	Phase sequence protector	1	XX
3	02820 00001 00	Fuse block	2	FU1-FU2
4	02820 00001 00	Fuse block	2	FU3-FU4
5	08703 00004 00	Terminal block	18	DZ
6	02818 01000 10	Transformer	1	T
8	02811 00202 59	Controller	1	PLC
9	02824 10040 00	Motor transformer	1	CT1
10	08703 00035 00	Terminal block	3	TC1
11	02825 60018 01	AC contactor	1	KM1
12	02825 60038 00	Fan motor contactor	1	KM4
15	08704 12004 00	Cable	0.6M	BVR
16	02829 32020 60	Grounding copper bar	1	JDTP
17	02815 00201 04	Monitor	1	XSQ
18	02827 04844 00	Emergency stop button	1	JT
19	02827 04104 00	Emergency stop button seat	1	JT
20	02810 00016 00	Pressure sensor	1	DP
21	02810 10004 00	Temperature sensor	1	DT
22	02810 10004 00	Temperature sensor	1	ST
23		Electric control board	1	DKB
24	08703 00004 00	Terminal block	3	DZ
*25	02821 10002 00	Fuse	4	FU1-FU4

Note: \* Items are not shown on the drawing.

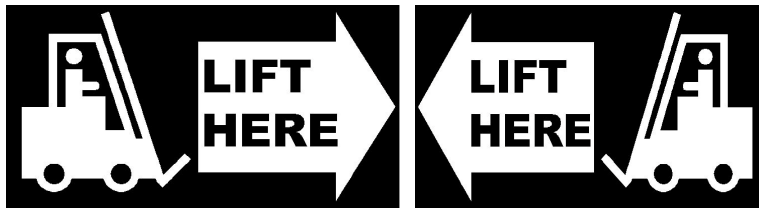
## Decals

---

Decals information is shown as following.



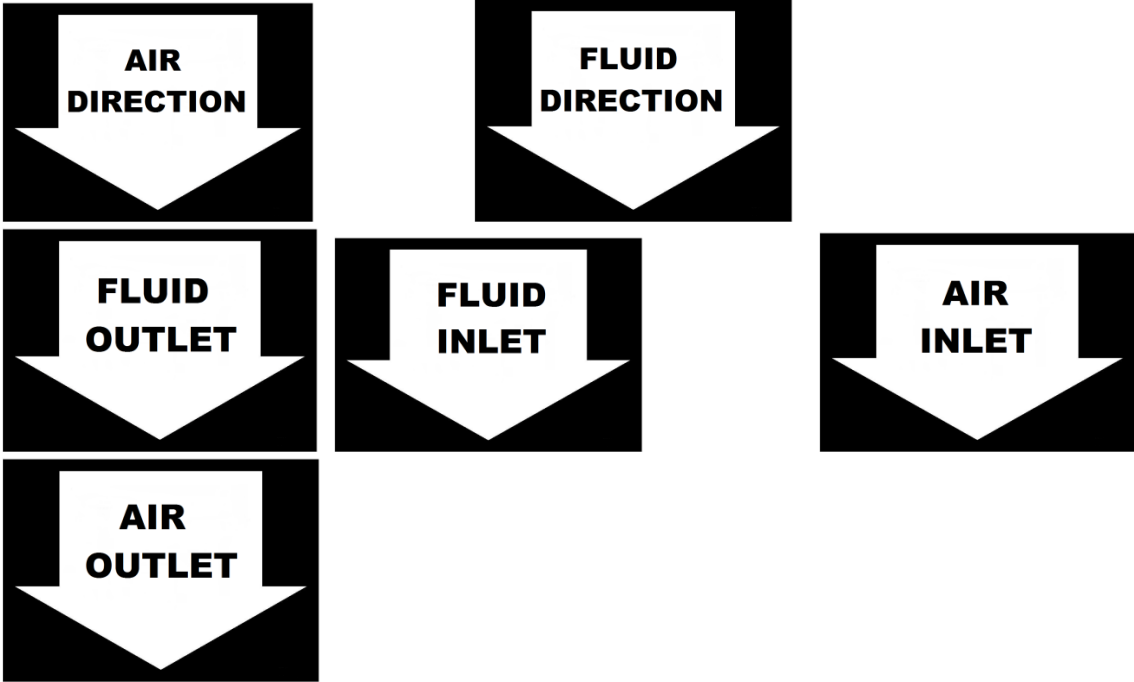
## Decals



### NOTE:

1. DECALS P/N : 142939

# Decals



**NOTE:**

- 1. DECALS P/N : 142939

## Standard Terms and Conditions

---

These terms and conditions govern the sale of Products (“Rotary Screw Air Compressors and parts”) and provisions of services by Kaishan Technologies Compressor Co. Ltd (Seller) and its authorized representative or buyer. These terms and conditions (“Agreement”) take precedence over Buyer’s supplemental or conflicting terms and conditions to which notice of objection is hereby given. Neither Seller’s commencement of performance or delivery shall be deemed or construed as acceptance of Buyer’s supplemental or conflicting terms and conditions. Kaishan Technologies Compressor’s failure to object to conflicting or additional terms will not change or add to the terms of this agreement. Buyer’s acceptance of the Products and/or Services from Seller shall be deemed to constitute acceptance of the terms and conditions contained herein.

**Orders:** All orders placed by Buyer are subject to acceptance by Seller. Orders may not be canceled or rescheduled without Seller’s written consent. All orders must identify the products, unit quantities, part numbers, applicable prices and requested delivery dates of the Products being purchased. Seller may at its sole discretion allocate Product among its Buyer. Seller may designate certain Products and Services as non-cancelable, non-returnable and the sale of such Products shall be subject to the special terms and conditions contained in Seller’s Customer Acknowledgement or Non-Returnable Product Form, which shall prevail and supersede any inconsistent terms and conditions contained herein or elsewhere.

**Prices:** The prices of the Products are those prices specified on the front of the invoice or contained within an agreed written contract. Price quotations shall automatically expire in thirty (30) days from the date issued, or as otherwise stated in the quotation.

**Taxes:** Unless otherwise agreed to in writing by Seller, all prices quoted are exclusive of transportation and insurance costs, duties, and all taxes including federal, state and local sales, excise and value added, goods and services taxes, and any other taxes. Buyer agrees to indemnify and hold Seller harmless for any liability for tax in connection with the sale, as well as the collection or withholding thereof, including penalties and interest thereon. When applicable, transportation and taxes shall appear as separate items on Seller’s invoice.

**Payment:** Payment may be made by check, money order, credit card, or wire transfer (all fees are borne by the Buyer). Where Seller has extended credit to Buyer, terms of payment shall be net thirty (30) days from date of invoice, without offset or deduction. On any past due invoice, Seller may impose a monthly interest rate. If Buyer fails to make the required payments the Seller will impose the interest rate each month. If Buyer fails to make each payment when it is due, Seller reserves the right to withdraw credit and thereby suspend or cancel performance under any or all purchase orders or agreements in which Seller has extended credit to Buyer. In the event of default by Buyer, Seller shall be entitled to costs, fees, and expenses including but not limited to recovery of attorney fees, court costs and fees, and collections costs.

## Standard Terms and Conditions

---

**Delivery and Title:** The locations of shipment delivery will be made according to the Seller and Buyer agreement. Title and risk of loss pass to the Buyer upon delivery of the Product to the carrier. Seller's delivery dates are estimates only and Seller is not liable for delays in delivery or for failure to perform due to causes beyond the reasonable control of the Seller, nor shall the carrier be deemed an agent of the Seller. A delayed delivery of any part of an Order does not entitle Buyer to cancel other deliveries. Kaishan Technologies Compressor will comply with various federal, state and local laws and regulation concerning occupational health, safety and environment concerns. Buyer has full responsibility to comply with those laws and regulations during the installation and operation of the equipment.

**Acceptance / Returns:** Shipments will be deemed to have been accepted by Buyer upon delivery of the said shipments to Buyer unless rejected upon receipt. Buyer shall perform all inspections and tests. Buyer deems necessary as promptly as possible but in no event later than 7 days after receipt of Products, at which time Buyer will be deemed to have irrevocably accepted the Products. Any discrepancy in shipment quantity must be reported within 7 days after receipt of Products. Buyer may not return Products without a Return Material Authorization ("RMA") number. RMA's valid for 30 days from the date issued.

**Standard Warranty:** Buyer will honor Product warranties and indemnities authorized by the manufacturer, including any transferable. 90 days warranty is given for service parts from receipt date. Seller warrants to Buyer that Products purchased hereunder will conform to the applicable manufacturer's specifications for such products and that any value-added work performed by Seller on such Products will conform to applicable Buyer's specifications. If Seller breaches this warranty, Buyer's remedy is limited to (at Seller's election) (1) refund of Buyer's purchase price for such Product (without interest), (2) repair of such Products, or (3) replacement of such Products provided that such Products must be returned to Seller, along with acceptable evidence of purchase within 13 days from date of delivery, transportation charges prepaid. No warranty will apply if the Product has been subject to misuse, neglect, accident or modification.

**Limitation of Liabilities:** Buyer shall not be entitled to, and Seller shall not be liable for, loss of profit or revenue, promotional or manufacturing expenses, overheads expenses, business interruption cost, loss of data, removal or reinstallation costs, injury to reputation of buyer, punitive damages, loss of contractor orders or any indirect, special, incidental or consequential damages of any nature. Buyer's recovery from seller for any claim shall not exceed the purchase price paid for the affected products irrespective of the nature of the claim whether in contract, tort, warranty, or otherwise. Buyer will indemnify, defend and hold seller harmless from any claims based on (a) Seller's compliance with buyer's designs, specifications, or instructions, (b) Modification of any products by anyone other than Seller, or (c) use in combination with other products not supplied by seller.



## Standard Terms and Conditions

---

**Use of Products:** Unless otherwise specified. Products sold by Seller are not designed, intended or authorized for use in life support, life sustaining, nuclear, or other applications in which the failure of such Products could reasonably be expected to result in personal injury, loss of life or catastrophic property damage. If buyer uses or sales the Products for use in any such applications: (1) Buyer acknowledges that such use or sale is at Buyer's sole risk; (2) Buyer agrees that Seller and the manufacturer of the Products are not liable, in whole or in part, for any claim or damage arising from such use; and (3) Buyer agrees to indemnify, defend and hold Seller and the manufacturer of the Products harmless from and against any and all claims, damages, losses, costs, expenses and liabilities arising out of or in connection with such use or sale.

**Force Majeure:** Seller is not liable for failure to fulfill its obligations for any accepted Order or for delays in delivery due to causes beyond Seller's reasonable control including, but not limited to, acts of God, natural or artificial disaster, riot, war, strike, delay by carrier, shortage of Product, acts or omissions of other parties, acts or omissions of civil or military authority, Government priorities, changes in law, material shortages, fire, strikes, floods, epidemics, quarantine restrictions, acts of terrorism, delays in transportation or inability to obtain labor, materials or products through its regular sources, which shall be considered as an event of force majeure excusing Seller from performance and barring remedies for non-performance. In an event of force majeure condition, the Seller's time for performance shall be extended for a period equal to the time lost as a consequence of the force majeure condition without subjecting Seller to any liability or penalty. Seller may, at its option, cancel the remaining performance, without any liability or penalty, by giving notice of such cancellation to the Buyer.

**General:** (a) Seller will comply with state law for any dispute from buyer. (b) Buyer may not assign this Agreement without the prior written consent of Seller. Seller or its affiliates may perform the obligations under this Agreement. This Agreement is binding on successor and assigns, (c) Products, including software or other intellectual property, are subject to any applicable rights of third parties, such as patents, copyrights and/or user licenses.

## **Appendix**

*(If your machine is standard, this page is blank.)*

## Contact Information

---

Kaishan Compressor, LLC.,  
Add.: 15445 Industrial Park Dr. Loxley, AL, Post code: 36551  
Office number: +1 251-202-0577  
[www.KaishanUSA.com](http://www.KaishanUSA.com)